



Serious Barbecues

# BUGG<sup>®</sup>

BeefEater Universal Gas Grill

---

**NOW THIS IS A BBQ**









**IMAGINE THE WORLD'S  
BEST PORTABLE BBQ.**  
THEN MAKE IT  
MORE COMPACT.  
GIVE IT MORE POWER.  
AND MORE CONTROL.  
MAKE IT BETTER LOOKING.  
BETTER COOKING.  
MORE DURABLE.  
MORE YOU.

**EVOLUTION  
OF THE SPECIES.**



# IT'S THE CUTTING EDGE TECHNOLOGY THAT SETS BUGG® APART.



---

Born in Australia, Bugg is a new species of BBQ that's so much more than you ever imagined.

The amazing Bugg picks up where other BBQs leave off. Sure, it's small in size. But it's big on technology and engineering with a host of advanced features specially adapted for today's world. Cook with the hood up, for crispier grilling. Or hood down, for roasts. And it's easy to store and carry. So your Bugg goes where you go. Anytime. Anywhere. Say hello to the amazing Bugg. It's the world's most brilliant BBQ yet. Designed and built by BeefEater, Bugg is the culmination of more than 25 years' experience in the development of innovative BBQs that truly enhance the way we live.

# YOUR BUGG® GOES WHERE YOU GO.



---

Summertime. Party time. On your balcony. At the beach. In the yard. Set it up on the spot and share your food as fast as you can cook it.

Anytime you want to BBQ. Anywhere you want to go. The multi-talented Bugg is the master of multi-tasking. Smart Bugg attachments latch on to almost anything. Fix it to a balcony, boat rail or on your tailgate. Hang it on a wall. Sit it on a bench top. Or use it stand-alone on the sturdy no-slip Bugg trolley. Ready in an instant, Bugg has summer written all over it. It's the BBQ the world's been waiting for.

## MORE POWER

Two powerful, independently controlled stainless steel burners make all the difference to performance. Cook for a couple or cater to a crowd. Ready to go. Instantly. BUGG's high performance Quartz Start® Ignition fires up every time. BBQ your way, hood up or down. A must for the serious entertainer.

## EXTRA CONTROL

The multi-talented BUGG's individually controlled dual burners double your cooking choices. Multi-task with the grill and plate combo\*. Grill burgers one side, cook pancakes the other. BBQ nice and crispy with the hood up. Or hood down, for convection-style cooking. Plus an integrated thermometer comes standard.

## SUPER COMPACT

Big on cooking space, small in footprint. There's more room under the hood, more room on the dual grill/griddle plates\*. Designed for performance, BUGG's high hood ensures even heat distribution. Big enough to cook a whole turkey. Small enough to set up and store almost anywhere.

## PICK UP AND GO

Easy to store. Easy to carry. It's lightweight and built tough, so your BUGG travels with you. No need to wait for it to cool down with BUGG's smart detachable shelves and accessory hooks. No spills, no mess with the locked-in grease tray. Smart wheel lock and balance mechanism for extra stability when in use. Set up anywhere. Balcony rails, table tops, wall hung or stand alone. On the boat, on the patio, off the car trunk or tailgate.

## DURABILITY PLUS

BUGG's ergonomic design is built to last so everything works as it should. Everytime. The spring-assist hood gently lowers for super smooth operation. Built BUGG tough with its robust trolley and sturdy metal handle. Style meets substance in BUGG's easy clean porcelain hood.

## MORE PERSONALITY

Beautiful to cook on, and good looking too. Make a real BUGG statement in your choice of either graphite or amber.





**BUGG® ACCESSORIES** ARE  
DESIGNED FOR PERFORMANCE  
BY THE SAME PEOPLE WHO  
ENGINEERED THE AMAZING BUGG®.  
THEY'RE TOUGH, THEY'RE DURABLE,  
AND THEY'RE PURPOSE-CREATED  
TO WORK SEAMLESSLY WITH  
YOUR NEW BBQ.

DO MORE WITH THE FULL BUGG®  
KIT AND MAKE A GREAT BARBECUING  
EXPERIENCE EVEN BETTER.



**CUSTOMISE YOUR  
BUGG® EXPERIENCE.**



### TROLLEY

Built strong for everyday use. Lightweight and compact for easy transport and storage. The BUGG trolley has room to store a 9kg/20lb gas bottle, with an automatic in-use wheel lock for stability.



### TROLLEY COVER

The perfect snug-fit waterproof cover to keep your BUGG looking good while in storage.



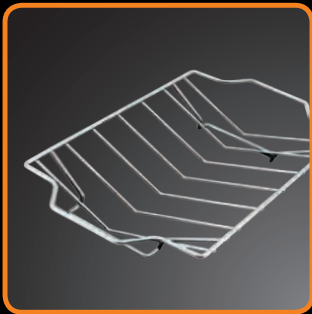
### BBQ COVER

No trolley? Keep your BUGG under wraps with the custom-made BBQ Cover.



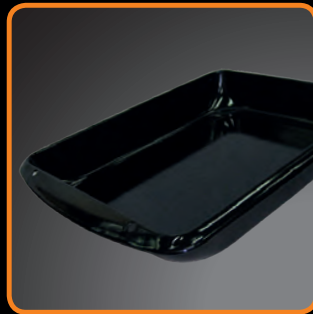
### TRAVEL BAG

Packed to perfection and ready to go, this handy travel bag lets you tote your BUGG pretty much anywhere. Pronto!



### ROAST HOLDER

Create juicy roasts just the way you like them.



### BAKING DISH

Team up this must-have baking dish with the roast rack to catch those succulent BUGG juices.



### TEFLON LINER PACK

These easy clean non-stick liners let you crisp and brown eggs, marinades and hotcakes without sticking and less mess.



### PIZZA STONE SET

Heats up hot to make BUGG delicious crisp base pizza in a snap. Set includes paddle and cutting wheel.



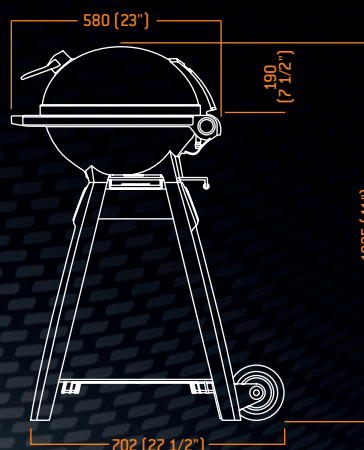
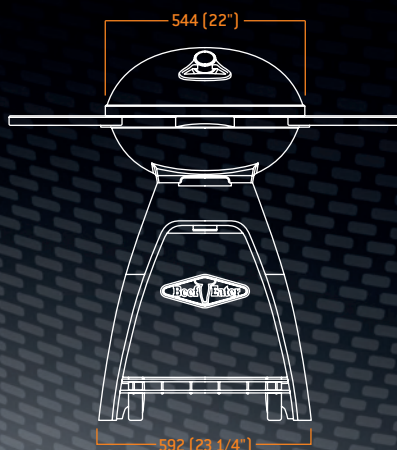
### DIGITAL THERMOMETER

Be confident your roast is cooked through perfectly every time with this handy digital probe thermometer.

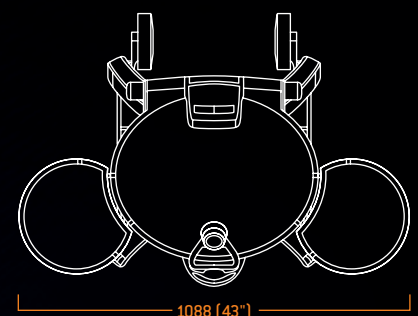


### ACCESSORY HOOKS

A handy docking station for all things BUGG.



Power: 20 MJ/hr  
Weight: 21kg/46lbs





**BEEFEATER PRODUCTS ARE AVAILABLE IN AUSTRALIA, AUSTRIA, BELGIUM, CYPRUS, DENMARK, EGYPT, FINLAND, GERMANY, GREECE, HONG KONG, IRELAND, ISRAEL, ITALY, LUXEMBOURG, MALTA, NORWAY, NETHERLANDS, PORTUGAL, SPAIN, SWEDEN. SINGAPORE, THAILAND, UNITED ARAB EMIRATES, UNITED KINGDOM, NEW ZEALAND, UNITED STATES OF AMERICA,**





## YOUR NEAREST STOCKIST

Woodland Home Products, PO Box 236, Chester Hill NSW 2162  
Phone: +61-2-9724-8888 Toll Free: 1800 356 660 Email: mail@beefeaterbbq.com

**WWW.BEEFEATERBUGG.COM**

BEEFEATER BUGG® BARBECUES ARE APPROVED TO THE FOLLOWING STANDARDS: AUSTRALIA: AS 4557:2004, EUROPE: EN498, NORTH AMERICA: ANSI Z21.58:2007/CSA 1.6: 2007. WARNING: CONTACT YOUR LOCAL MUNICIPALITY FOR ANY BUILDING CODES REGULATING THE INSTALLATION OF OUTDOOR BARBECUE APPLIANCES. OUTDOOR INSTALLATIONS MUST CONFORM TO LOCAL CODES OR, IN THE ABSENCE OF LOCAL CODES, WITH THE FOLLOWING: USA: NATIONAL FUEL GAS CODE, ANSI Z223.1/NFPA 54 CAN : B149.1 NATURAL GAS & PROPANE INSTALLATION CODE. AUST: AUSTRALIAN STANDARDS CODE AS: 5601. REQUIRED RANGEHOOD AND CEILING HEIGHTS ABOVE ALL BARBECUES MAY VARY IN ACCORDANCE TO LOCAL CODES AND REGULATIONS REGARDING 'INDOOR' OR 'COMMERCIAL' INSTALLATIONS. BEEFEATER PRODUCTS ARE CONSTANTLY BEING DEVELOPED, THEREFORE, DESIGN, SPECIFICATIONS, MATERIALS AND PRODUCT CONFIGURATIONS MAY CHANGE WITHOUT NOTICE. ALL PRODUCTS SHOWN FEATURE VARIOUS OPTIONS. CONSULT WITH YOUR BEEFEATER SPECIALIST RETAILER FOR FURTHER DETAILS OF PRODUCT CONFIGURATIONS AND OPTIONS AVAILABLE.

BEEFEATER  AND BUGG  ARE REGISTERED TRADEMARKS OF WOODLAND HOME PRODUCTS. PROUDLY AUSTRALIAN OWNED. DIFFERENT CONFIGURATIONS MAY APPLY IN YOUR MARKET.