

ASSEMBLY, OPERATION & MAINTENANCE INSTRUCTIONS

FOR EVERDURE E2GO TROLLEY STANDS



Models Included:

E2GOSTAND

 everdure



OPERATION AND MAINTENANCE INSTRUCTIONS FOR EVERDURE E2GO TROLLEY STAND

FOR USE WITH E2GLPC-09B & E2GLPC-09G OUTDOOR PORTABLE BARBECUES

CONTENTS

SECTION	PAGE NO.
Important Safety Instructions	3
Cleaning & Storage	3
Trolley Assembly	4
Trolley & Barbecue Assembly	6
Collapsing The Trolley	7
Maintenance	9
Barbecue Accessories	9
Warranty	9

It is important that you retain these instructions, proof of purchase as well as other important documents about this product for future reference.



E2GO & TROLLEY STAND

IMPORTANT SAFETY INSTRUCTIONS

IMPORTANT: Read the safety precautions of this booklet carefully before removing the trolley from its carton or connecting the barbecue to the trolley. If you are unsure about anything regarding your barbecue, please contact Everdure on 1300 766 066 before operating your appliance.

1. This trolley stand for the E2go portable barbecue is intended for **OUTDOOR USE ONLY**. This appliance must **NOT** be used indoors.
2. For your safety and enjoyment, read all barbecue operating instructions before lighting the barbecue.
3. Ensure that all gas connections are tight on the barbecue before operating the appliance (refer to leak testing procedure in this manual). Always check for leaks when a gas cylinder is replaced or reconnected.
4. Unsupervised children or pets should not be near a barbecue while cooking or during warm up or cool down. Ensure children or pets are kept a distance well away from the barbecue whilst it is in use. Ensure that young children do not play with the appliance. This appliance is not intended for use by young children or infirm persons.
5. Do not move this trolley with the barbecue fitted when in use or directly after use, as accessible parts may be very hot. The barbecue should only be lifted by the servers at either side (the fold out server bins should be either folded in or removed). Take care that undue pressure will not be placed on the gas hose, or turn off the gas supply & remove the hose from the cylinder or gas source (not at the barbecue). Take care that the fat tray & disposable foil tray are removed to minimise fat/oil spillage.
6. This trolley has been designed to be used with the E2go portable gas barbecue. When using an E2go Trolley Stand, ensure that your barbecue is in a level position and the barbecue is secured onto the trolley stand correctly.
7. People with flammable clothing such as nylon etc. should keep well away from the barbecue when it is operating.
8. Ensure that the product has adequate clearance from combustible materials. The appliance is designed so that heat will not affect the trolley. All combustible materials must be kept more than 250mm from the sides and rear of the trolley and more than 1500mm above the cooking surface of the barbecue.
9. We recommend that you regularly maintain your trolley stand and keep it in good condition. This can be achieved by following the cleaning and maintenance suggestions in this booklet.
10. The barbecue and E2go trolley stand are designed to be used with either 4kg or 9kg gas cylinders. The gas cylinder should be placed in the dedicated cylinder mounting at the bottom of the trolley, not beside the trolley.
11. This appliance is not suitable for mounting in a movable vehicle (boat, trailer etc).
12. Do not use or store this appliance in areas of high salt content (a marine environment) or an area with caustic fumes or liquids (such as a domestic pool), as these chemicals can cause the appliance materials to deteriorate (and void the warranty). Regular cleaning and covering with an Everdure barbecue cover can help can help to reduce this.



DO NOT OPERATE THIS APPLIANCE BEFORE READING THE INSTRUCTION BOOKLET
DO NOT PLACE ARTICLES ON OR AGAINST THIS APPLIANCE
DO NOT STORE CHEMICALS OR FLAMMABLE MATERIALS OR SPRAY AEROSOLS NEAR THIS APPLIANCE
DO NOT OPERATE THIS APPLIANCE INDOORS
DO NOT ENCLOSE THIS APPLIANCE. THE MINIMUM CLEARANCE FOR THIS UNIT IS 1500mm ABOVE THE COOKING SURFACE AND 250mm FROM ANY SIDE

CLEANING & STORAGE

EXTERNAL CLEANING

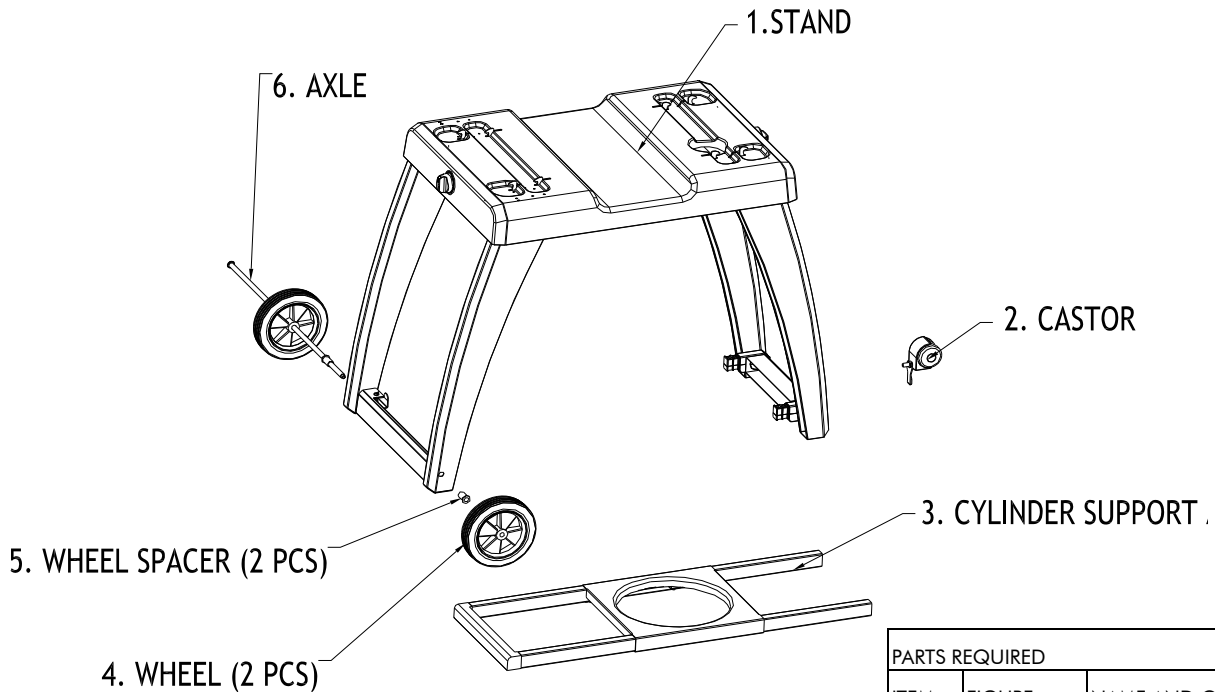
Before cleaning the trolley, ensure the appliance is cool and is safe to touch. Painted and plastic surfaces can be cleaned using a mild household detergent or cleaner and a clean cloth (do not use scourers or harsh detergents). **It is advisable to test cleaners on a small section of the appliance first.** **NEVER** use paint thinners or similar solvents for cleaning and **NEVER** pour cold water over hot surfaces. Dry the surface afterwards.

STORAGE

When the appliance is not in use, the trolley, barbecue and gas cylinder together must be stored outdoors in a well ventilated area. However it is permissible to store the barbecue and trolley stand (but not the cylinder) indoors. Ensure the hot plate is clean before storing away.

TROLLEY ASSEMBLY

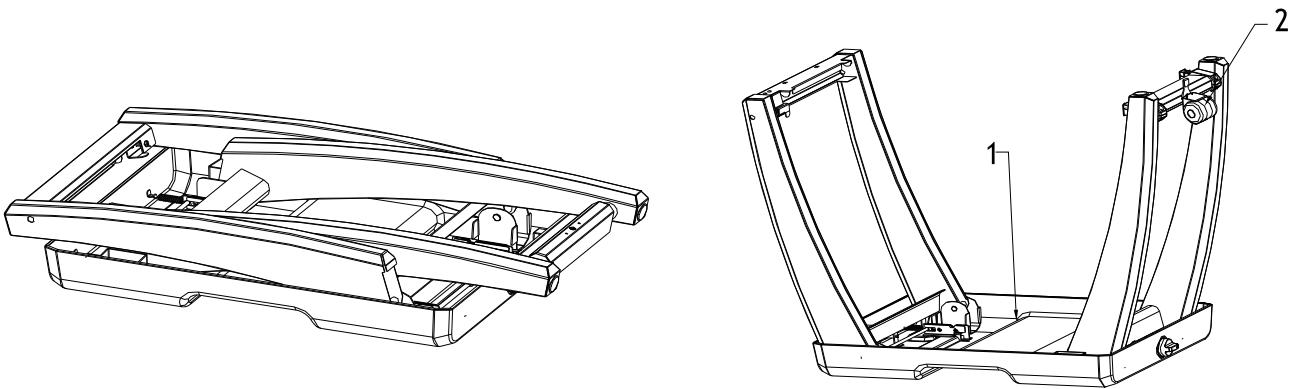
The trolley stand comes semi-assembled in a single package, and a number of components need fitting to their correct position. Only a medium size Philips screwdriver and adjustable spanner are needed. The parts are listed below.



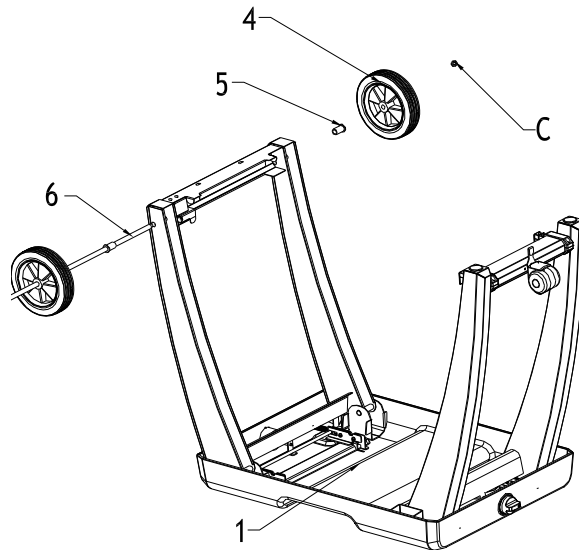
PARTS REQUIRED		
ITEM	FIGURE	NAME AND QTY
A		BOLTS M4X37..2PCS
B		NUT M4..... 2PCS
C		NUT M8.....1PCS

UNPACKING AND ASSEMBLING THE TROLLEY

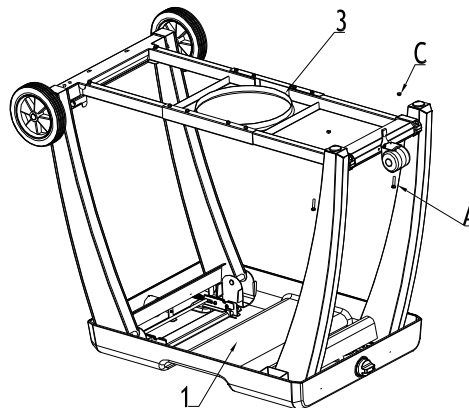
1. Take the foam covered unit out of the carton, and place on a clean, flat surface. Carefully remove the foam from each end and take off the protective plastic bags. Put the trolley on its top panel and fold the legs out. Attach the castor to the right leg assembly.



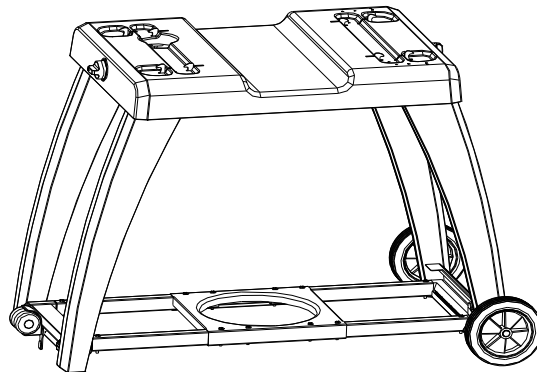
2. Take the axle and thread on one wheel and one wheel spacer (wide end towards the wheel). Note some models have the spacer built into the wheel. Thread the axle fully through the right leg assembly from the front and thread the second wheel spacer and wheel on. Tighten the M8 lock nut and tighten. Note: some models come with wheel covers that are then clipped to the outside of each wheel.



3. Take the cylinder support and fit it into the plastic hinges on the right leg assembly. Fix together using the two M4 nuts and screws. Tighten. Lock the handle end of the cylinder support into the left leg assembly using the handle lock.



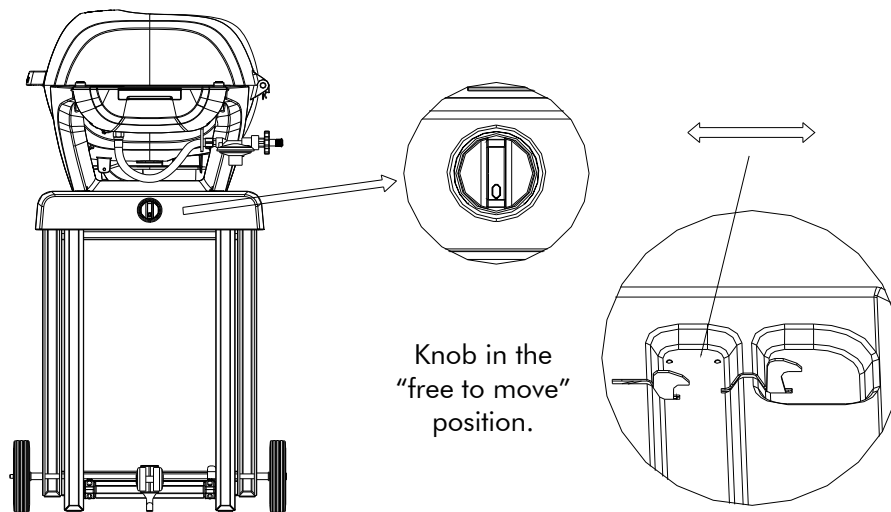
4. Place the trolley the correct way up.



PACKAGING

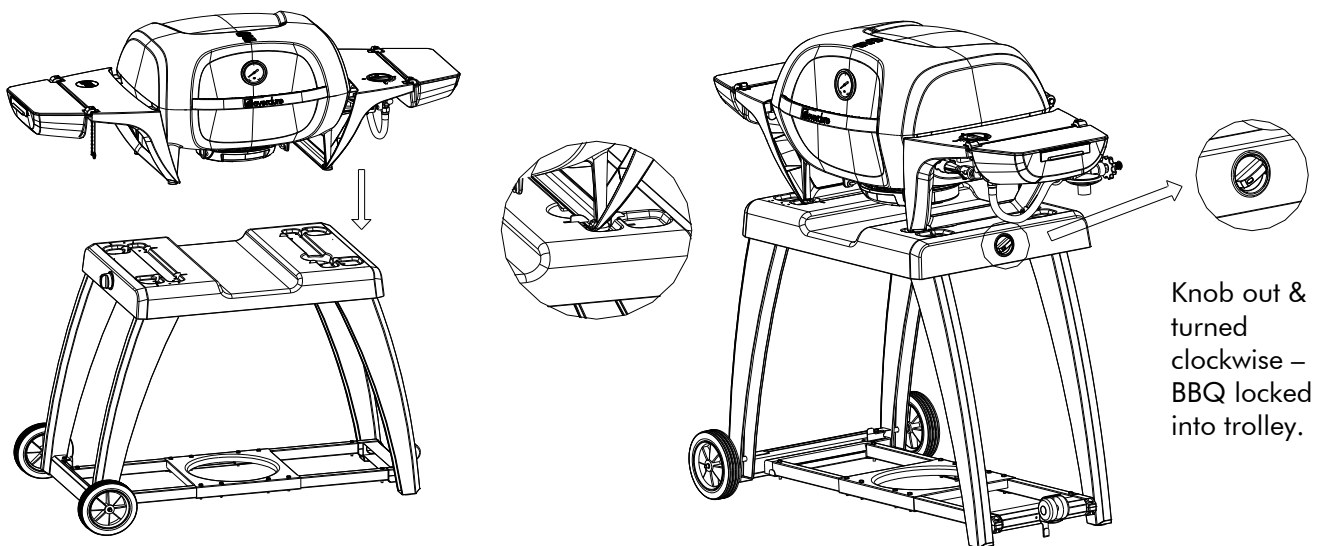
Remove all external packaging. Recycle as per your local government laws.

TROLLEY & BARBECUE ASSEMBLY



The trolley locking knobs are at each side of the trolley. When the knob is vertical (see diagram), the locking hooks are free to move inwards and outwards (see second diagram).

Push each of the locking knobs (at either side of the trolley, with the knob positioned vertically) fully in and turn clockwise to lock the hooks in the open position.



Take the E2go barbecue, and place it in the two inner locking points (see diagram). Note: The wheels should be to the left – **do not disconnect the hose from the barbecue.**

Rotate the locking knob anti-clockwise until they are free from the lock & spring outwards (this means the locking hooks are now around the feet of the barbecue (closed position)). Rotate the knobs clockwise again to lock the barbecue in position on the trolley. Remove all packaging from within the barbecue. Place the foil tray into the fat tray and place below the barbecue.

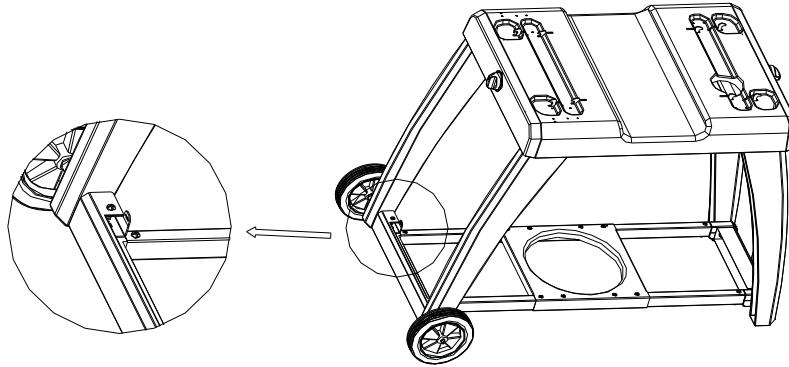
To remove the barbecue from the trolley, reverse the operations so the trolley hooks are locked open before attempting to remove the barbecue.

The mechanism must be locked in the open position when fitting or removing the barbecue from the trolley. Before using the barbecue, it must be locked back in place.

COLLAPSING THE TROLLEY

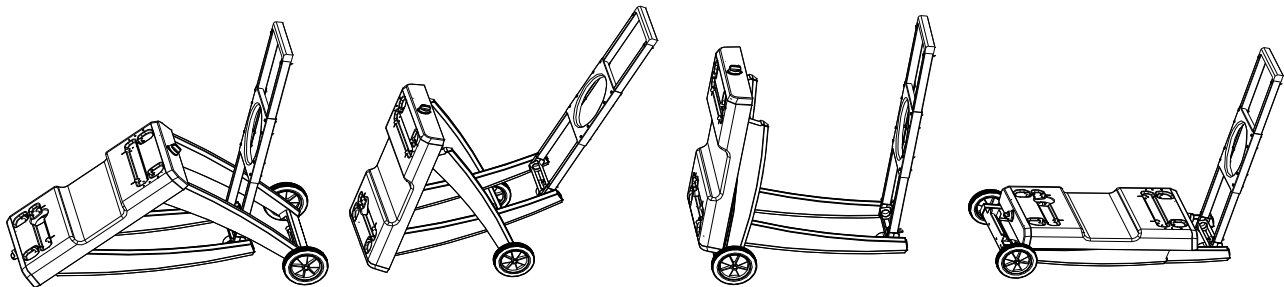
The trolley can be collapsed down in size for easier storage or for transporting the barbecue.

STEP A: Remove the barbecue and undo the handle lock.

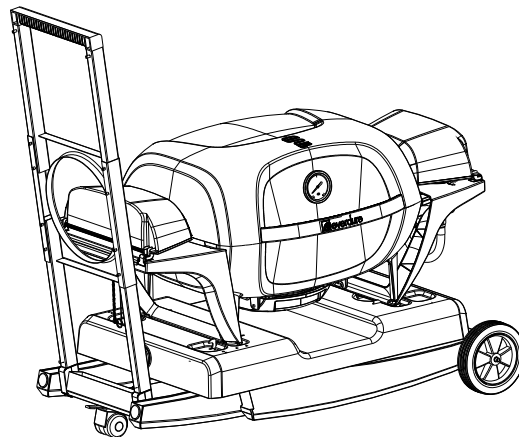


After removing the barbecue (take care that it is correctly supported so no damage can be done to the hose), go to the left hand side of the trolley. Rotate the handle lock outwards and pull the trolley handle out of the leg assembly.

STEP B: Fold the trolley up.



Pull the cylinder support and left leg assembly through the right leg assembly. Fold the right leg assembly up under the trolley stand top and fold both onto the left leg assembly. To store, fold the cylinder holder under the trolley.



Before placing the barbecue onto the collapsed trolley, make sure the castor has been fitted. Lock the trolley hooks in the open position and place the barbecue onto the trolley. Lock the barbecue onto the trolley and bring the hose and regulator around to the top of the trolley where it will not touch the ground or fall off. The trolley can now be moved via the handle.

COLLAPSING THE TROLLEY – 5 EASY STEPS FOR CONVERSION



The castor must be fitted before collapsing the trolley. Do not use the trolley in the collapsed form over rough ground, as damage to the trolley may occur. Take care to restrain the handle at all times.



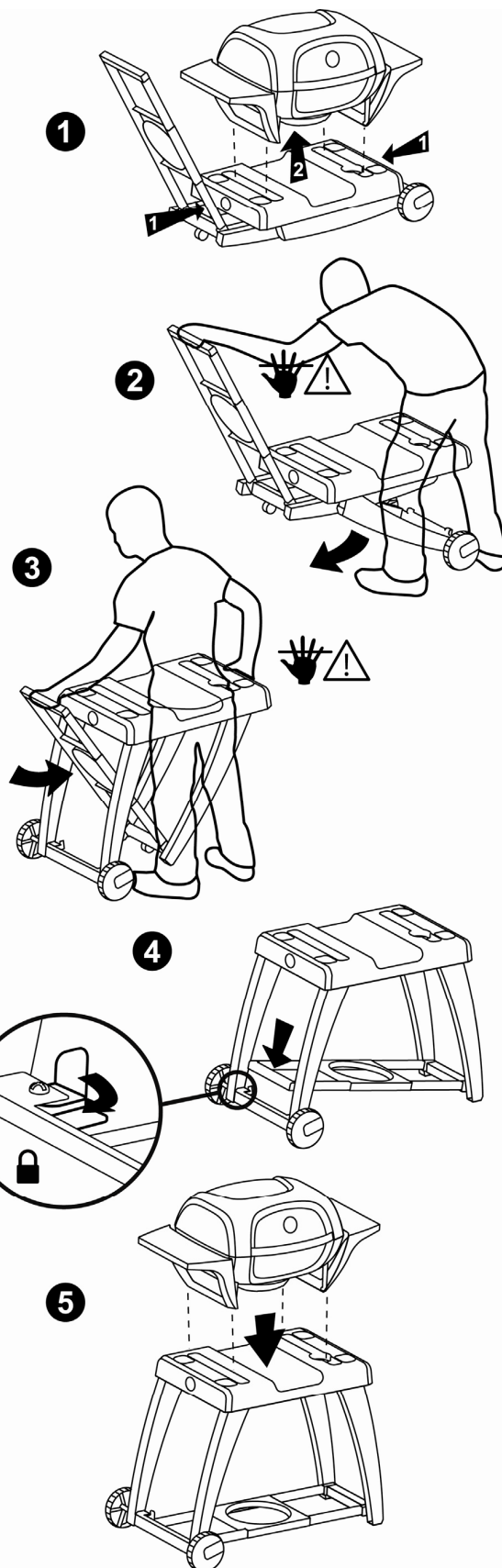
When adjusting the trolley configuration, take care that your hand does not get trapped between the moving parts. It is recommended that the operation be done by two people.



The trolley stand cylinder support is locked in position with the handle lock – always make sure this is in the “locked” position before fitting the barbecue. Take care that fingers do not get trapped under the handle.



Never remove the hose and regulator from the barbecue unit. Always lock the e2go barbecue to the trolley (locking knobs at sides of trolley).



MAINTENANCE

It is recommended that, at the commencement of each barbecue season, the following maintenance be conducted.

E2GO TROLLEY STAND

1. Check all fasteners for tightness and re tighten where necessary to ensure rigidity of the structure.
2. Wipe over barbecue trolley with a clean cloth. Add a little oil or grease to all moving parts.
3. If connected to the barbecue, test the locking mechanism is still locked & the barbecue cannot be dislodged by accident.

EVERDURE BARBECUE ACCESSORIES (OPTIONAL)

Everdure also offers a comprehensive range of essential barbecue accessories - everything that you need to turn your barbecue into a complete outdoor cooking system and also to prolong the use of your product. Accessories such as a weatherproof cover and BBQ rotisserie are readily available items. Visit www.everdure.com for regular product updates.

WARRANTY

IMPORTANT

Please keep your receipt, as this must be presented if making a claim under the terms of the Everdure warranty.

All Service and Assembly Enquiries: 1300 766 066 www.everdure.com



THE EVOLUTION OF HEALTHY OUTDOOR COOKING



A division of Shiro Australia Pty Ltd
23-27 Chaplin Drive Lane Cove NSW 2066
1300 766 066
www.everdure.com

IM Ref: E2GS10/2009/06

FOR OUTDOOR USE ONLY