


LANDMANN®
Vinson 200

Assembly and operating manual

Français p. 23
Español p. 46



 PLEASE READ ALL RULES FOR SAFE OPERATION AND FOOD SAFETY BEFORE USING.



VERSION: 480511
DATED: #2018
EDITION: 12/17Li





READ FIRST! RULES FOR HEAVY-DUTY BARREL SMOKER SAFE OPERATION.

- THE SMOKER IS FOR OUTDOOR USE ONLY!
- DO NOT USE WITHOUT THE ASH TRAY IN PLACE.
- DO NOT REMOVE THE ASH TRAY IF IT CONTAINS HOT COALS.
- KEEP THE SMOKER A MINIMUM OF 10 FT. AWAY FROM BUILDINGS, STRUCTURES, ANY FLAMMABLE ITEMS AND VEHICLES.
- NEVER USE THE SMOKER UNDER COVERED PORCHES, AWNINGS, LOW HANGING TREE BRANCHES, TRELLIS, OR OVERHANGS OF ANY KIND.
- NEVER USE INSIDE ENCLOSED AREAS SUCH PATIOS, GARAGES, ENCLOSED ROOMS, BUILDINGS OR TENTS.
- ALWAYS USE THE SMOKER ON A HARD, STABLE AND LEVEL SURFACE.
- THE SMOKER IS FOR ADULT USE ONLY.
- WARNING! NEVER USE GASOLINE, ALCOHOL OR VOLATILE FLUIDS TO START OR RESTART FIRES. USE CHARCOAL LIGHTER FLUID ONLY TO START CHARCOAL. READ AND FOLLOW CHARCOAL LIGHTER FLUID MANUFACTURER INSTRUCTIONS CLOSELY.
- KEEP CHILDREN AND PETS AWAY WHILE THE SMOKER IS BEING USED.
- MITTENS OR GLOVES WILL BE NEEDED TO OPEN THE LIDS AS SURFACES WILL BE HOT.
- MOST SURFACES OF THIS SMOKER BECOME HOT, USE CAUTION.
- DO NOT MOVE THE SMOKER WHILE IT IS BEING USED.
- DO NOT LEAVE UNATTENDED AT ANY TIME WHILE IN USE.
- DO NOT USE IN WINDY CONDITIONS.
- USE CAUTION WHEN OPENING THE LID AS HOT STEAM OR A FLARE UP COULD CAUSE BURNS.
- BEFORE EACH USE, MAKE SURE THE SMOKER IS IN GOOD WORKING CONDITION.
- FOR LONGER PRODUCT LIFE, KEEP THE WOOD FIRES TO A RESPECTABLE SIZE, DO NOT OVERLOAD.
- DO NOT ALLOW CHARCOAL TO COME IN CONTACT WITH THE SMOKER SIDES.
- ALLOWING THE CHARCOAL TO CONTACT THE SMOKER SIDES WILL GREATLY REDUCE THE LIFE OF THE METAL AND THE FINISH.
- DO NOT ALTER THE SMOKER IN ANY WAY.
- DO NOT USE THE SMOKER UNTIL IT IS COMPLETELY ASSEMBLED WITH ALL PARTS SECURELY TIGHTENED.
- DO NOT STORE FLAMMABLE ITEMS ON THE BOTTOM SHELF.
- DO NOT USE WITHOUT A GREASE CAN IN PLACE.
- THE FRONT SHELF CAN HOLD 10 LBS. SAFELY, DO NOT PUT MORE THAN 10 LBS. ON THE FRONT SHELF.
- DO NOT LEAN OR PUSH DOWN ON THE SHELVES.
- USE CAUTION AFTER THE FIRE HAS BEEN EXTINGUISHED SURFACES WILL REMAIN HOT FOR SOME TIME.
- BE SURE ALL COALS ARE COLD BEFORE DISPOSING.
- DISPOSE OF COALS PROPERLY.
- THE SMOKER MUST BE COMPLETELY COOLED OFF AND ALL EMBERS MUST BE EXTINGUISHED BEFORE ANY COVER CAN BE USED.



FOOD SAFETY

- RAW MEAT AND POULTRY HAS TO BE KEPT SEPARATE FROM READY TO EAT FOOD.
- USE CLEAN PLATTERS AND UTENSILS FOR HANDLING COOKED FOODS.
- COOK POULTRY AND MEATS THOROUGHLY TO KILL BACTERIA.
- USE INSTANT-READ THERMOMETER TO ENSURE PROPER INTERNAL FOOD TEMPERATURES.
- KEEP PREPARED FOOD AND LEFTOVERS REFRIGERATED.
- WASH HANDS, UTENSILS AND SURFACES WITH SOAP AND HOT WATER PRIOR TO AND AFTER HANDLING RAW MEAT AND POULTRY.



WARNING

CARBON MONOXIDE HAZARD!

BURNING WOOD OR CHARCOAL PRODUCES CARBON MONOXIDE, WHICH HAS NO ODOR AND CAN CAUSE DEATH IF BURNED IN ENCLOSED AREAS. NEVER BURN WOOD OR CHARCOAL INSIDE HOMES, VEHICLES, TENTS OR ANY OTHER ENCLOSED AREAS.

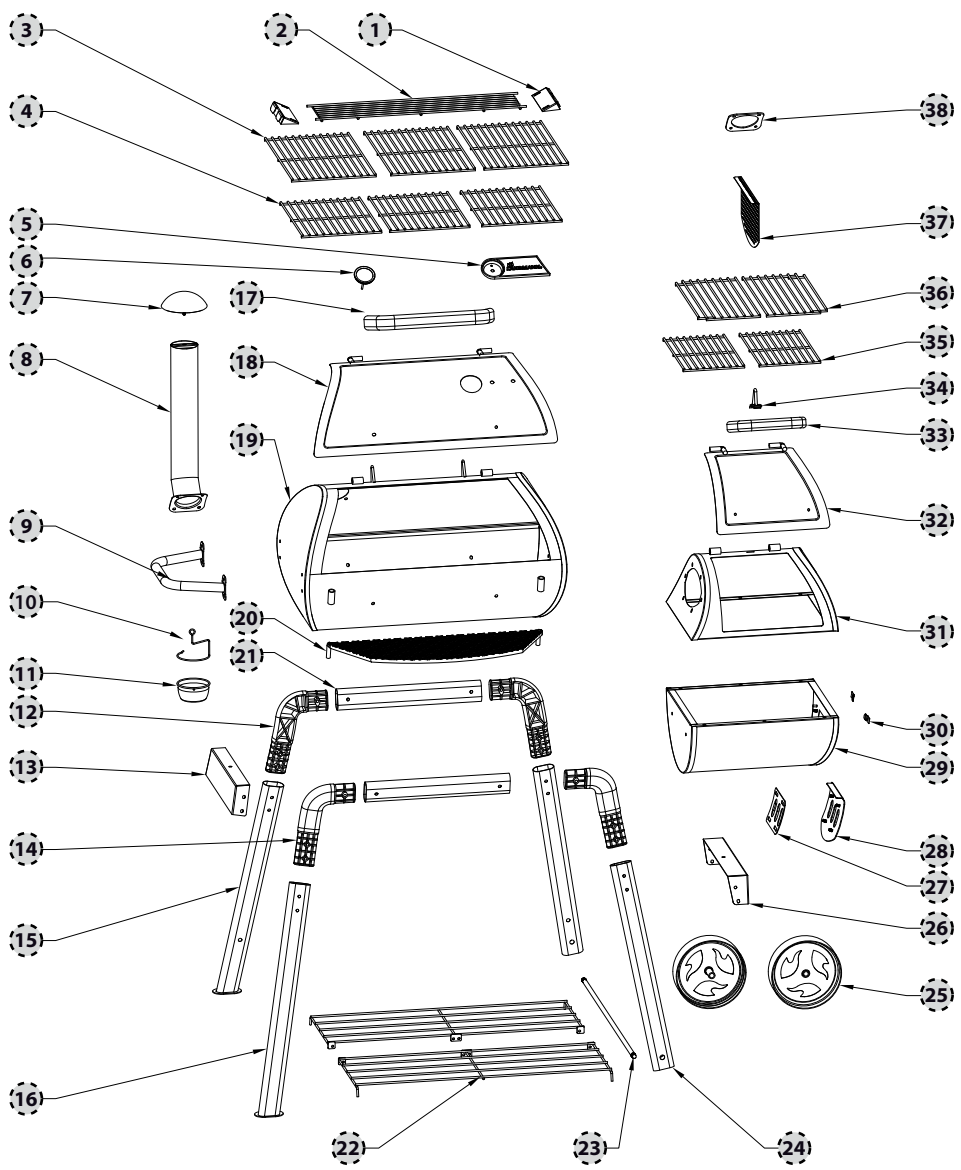









WARNING

Fuels used in wood or charcoal burning appliances, and the products of combustion of such fuels, can expose you to chemicals including carbon black, which is known to the state of the California to cause cancer, and carbon monoxide, which is known to the state of the California to cause birth defects or other reproductive harm. For more information go to: www.P65Warnings.ca.gov.

HARDWARE AND PART LISTING

When unpacking the smoker from the carton, make sure you find and become familiar with all the parts listed below. Use caution as some parts may have sharp edges.



A	B	C	D	E	F	G
						
M6x45	M6x16	M6x12	M12	M6	M6	Ø6
12x	6x	27x	2x	37x	4x	2x

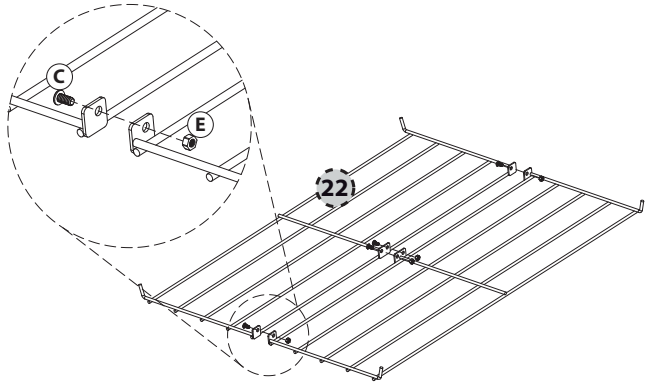


Tools needed:
Phillips screwdriver
Adjustable wrench

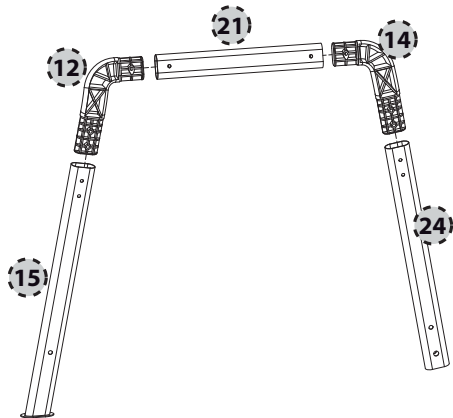
1.

C  M6x12 4x

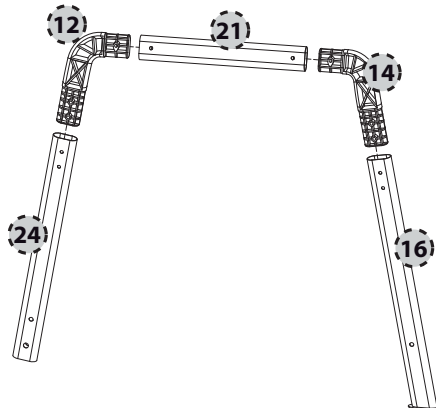
E  M6 4x



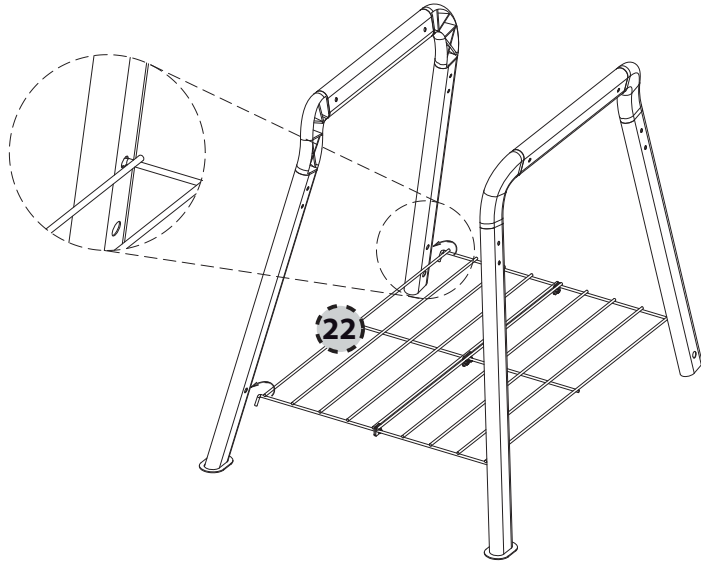
2.





3.

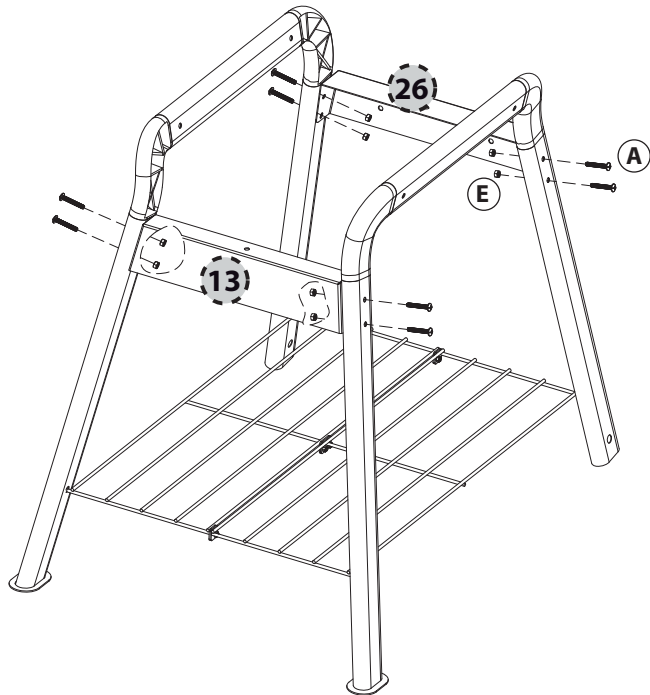


4.



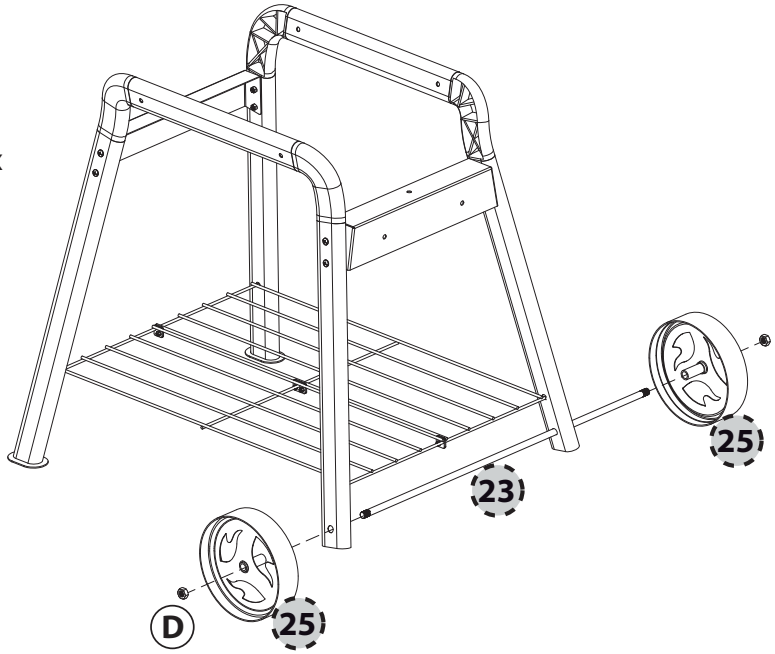
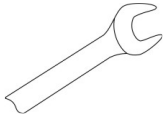
5.

- (A)  M6x45 8x
- (E)  M6 8x

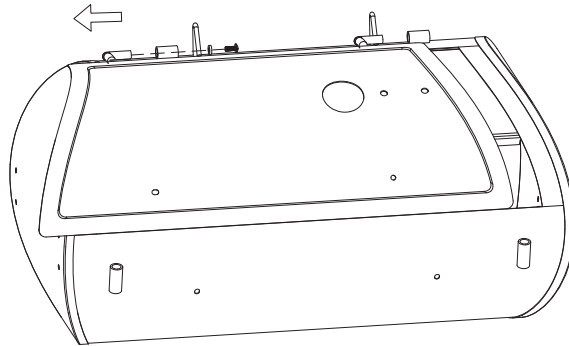
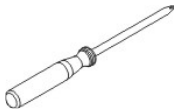


6.

ⓓ  M12 2x

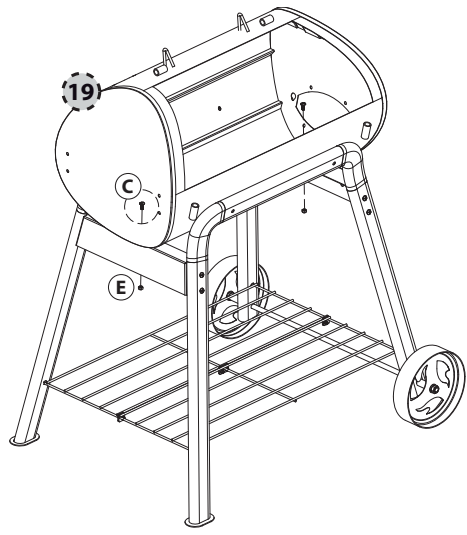


7.





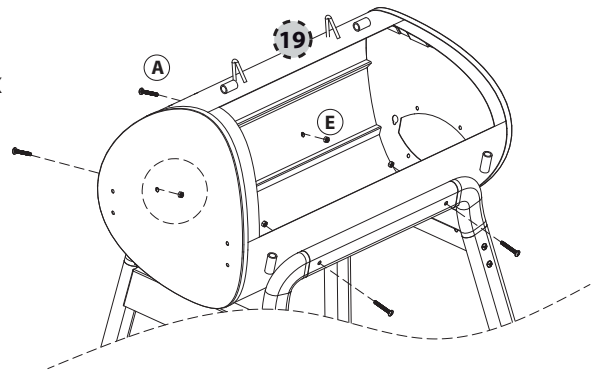
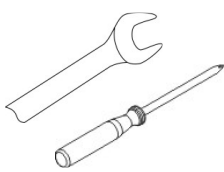
8.

- C  M6x12 2x
- E  M6 2x

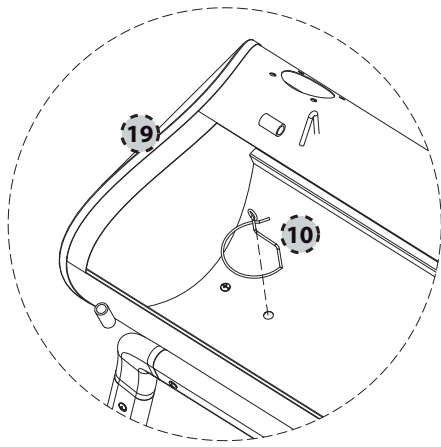


9.

- A  M6x45 4x
- E  M6 4x



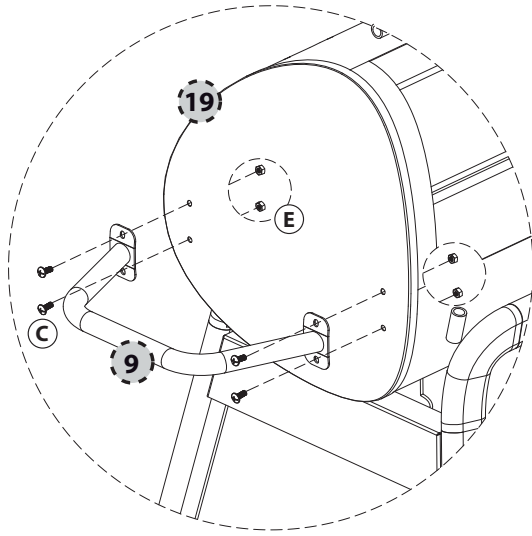
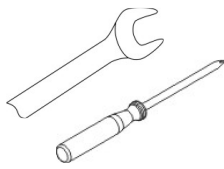
10.



11.

C  M6x12 4x

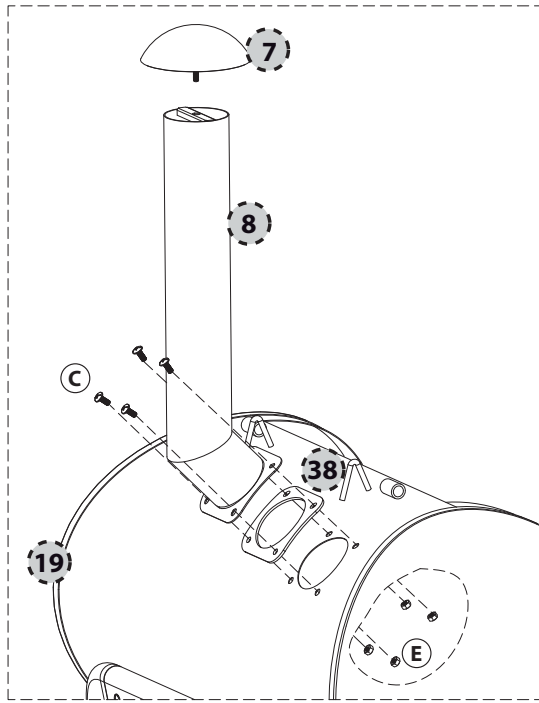
E  M6 4x



12.

C  M6x12 4x

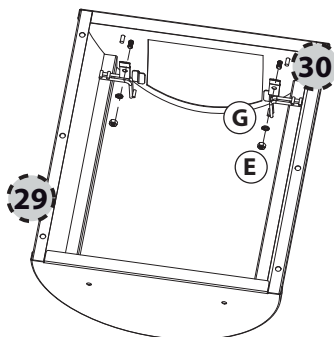
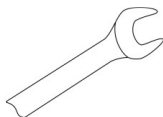
E  M6 4x



13.

G  $\Phi 6$ 2x

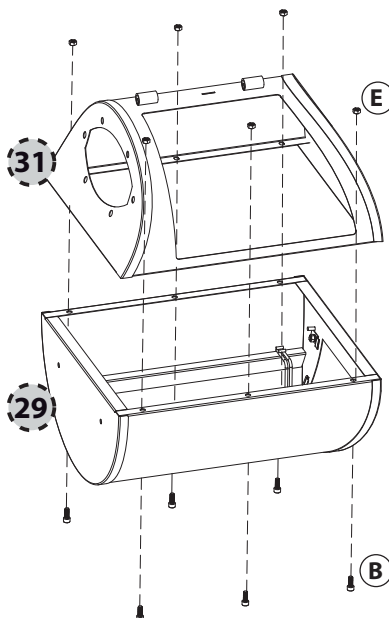
E  M6 2x



14.

B  M6x16 6x

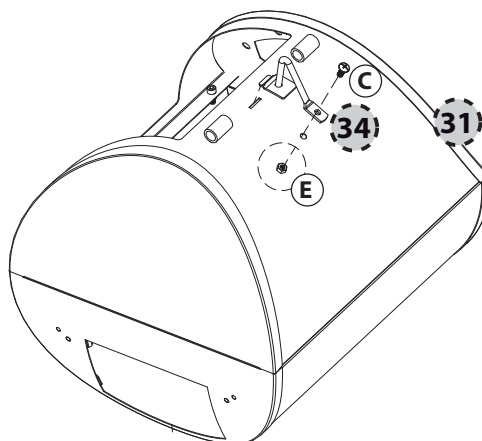
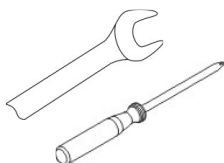
E  M6 6x




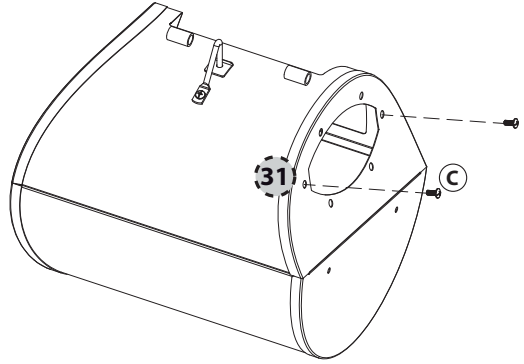
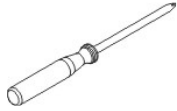
15.

C  M6x12 1x

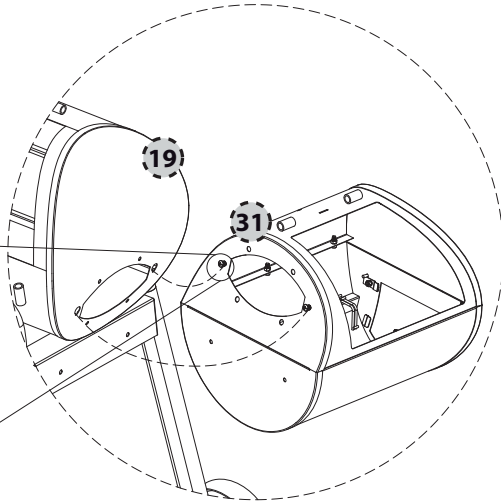
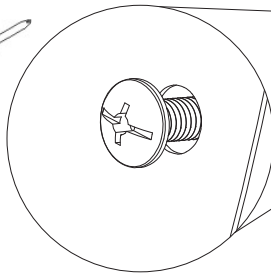
E  M6 1x




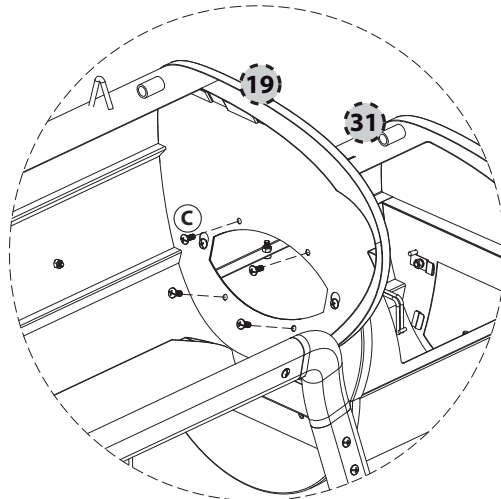
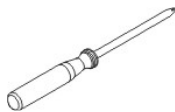
16. ©  M6x12 2x



17.



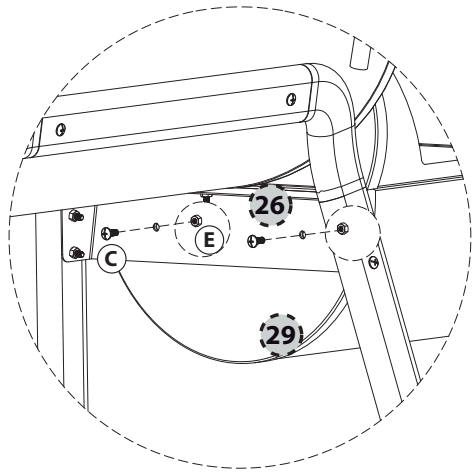
18. ©  M6x12 4x



19.

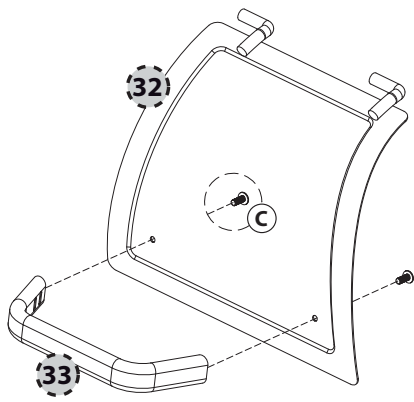
C  M6x12 2x

E  M6 2x

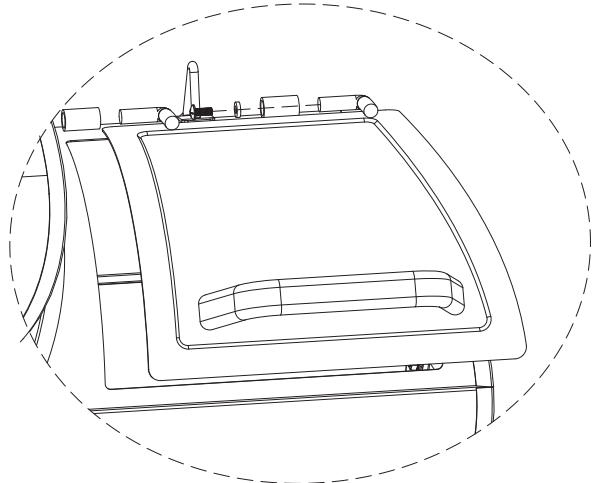
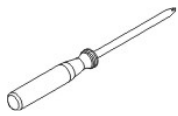


20.

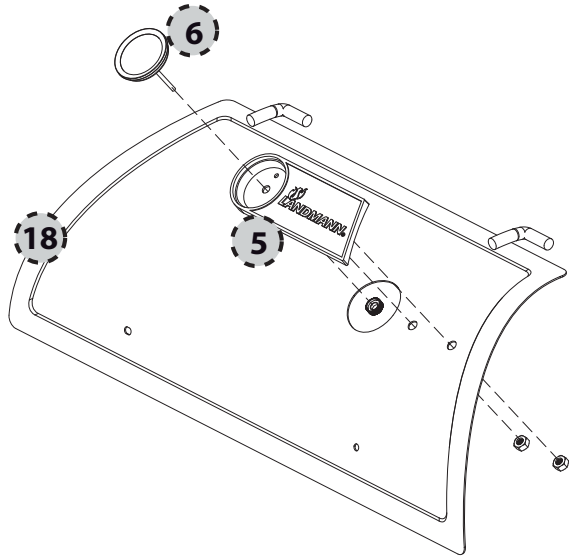
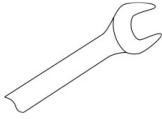
C  M6x12 2x



21.

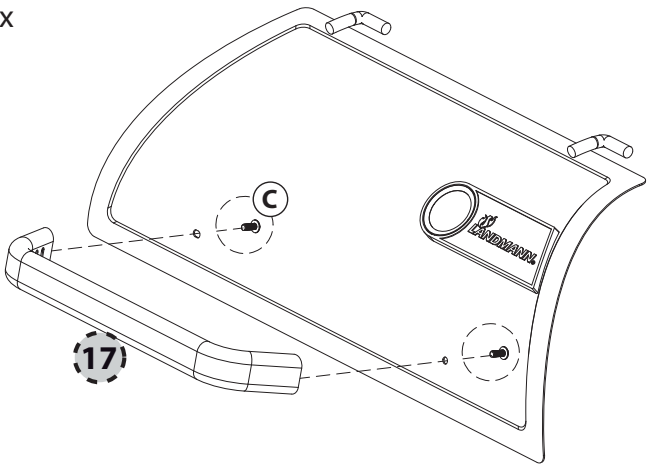


22.

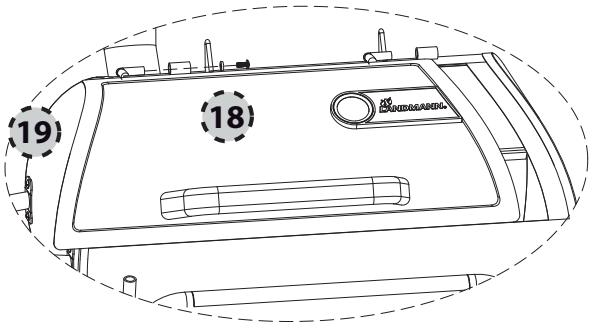
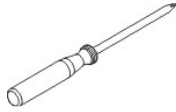


23.

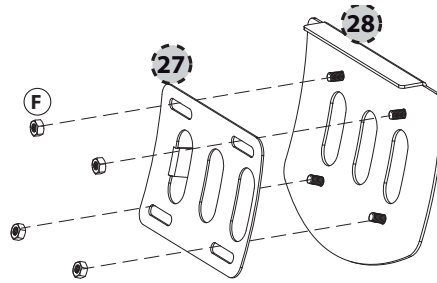
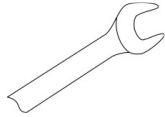
ⓐ  M6x12 2x



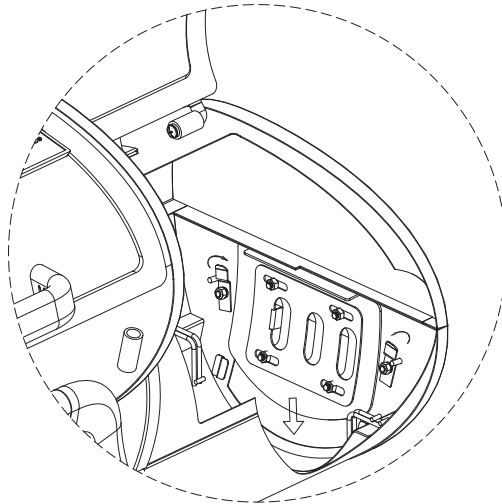
24.



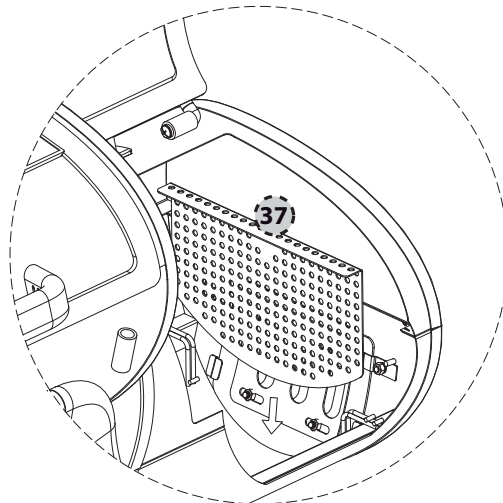
25. (F) M6 4x



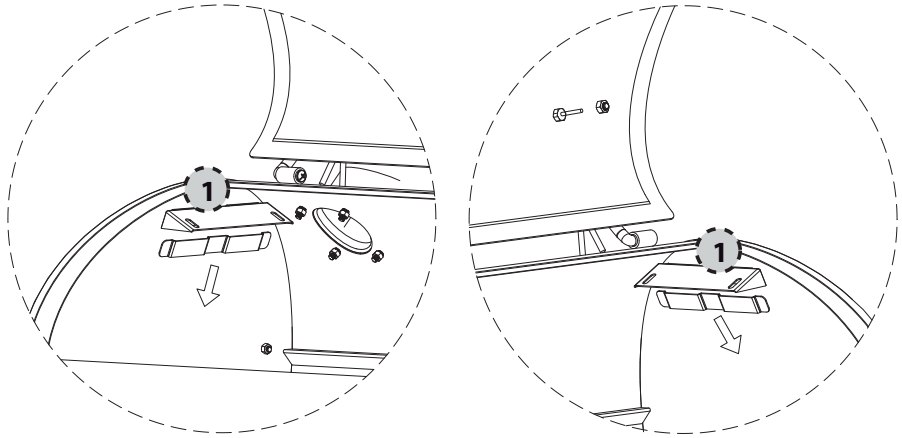
26.



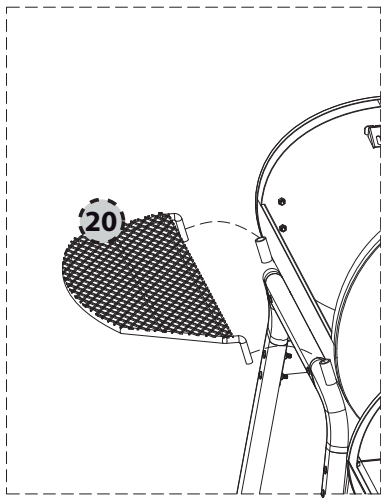
27.



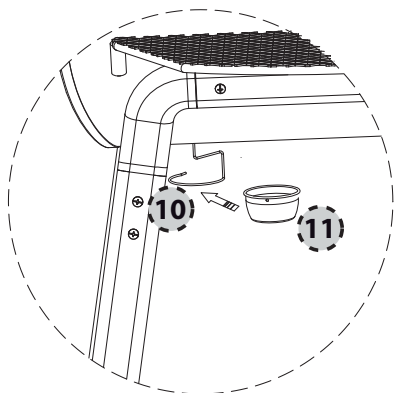
28.



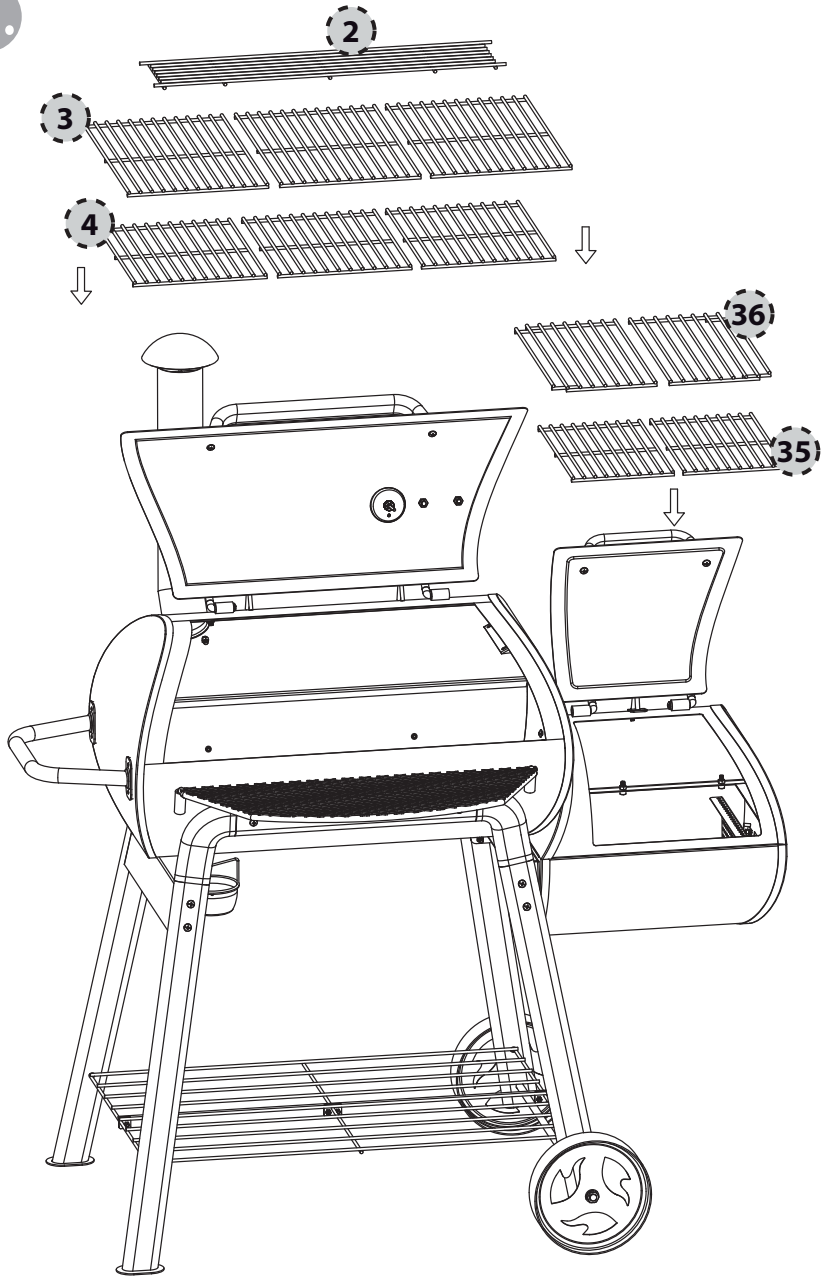
29.

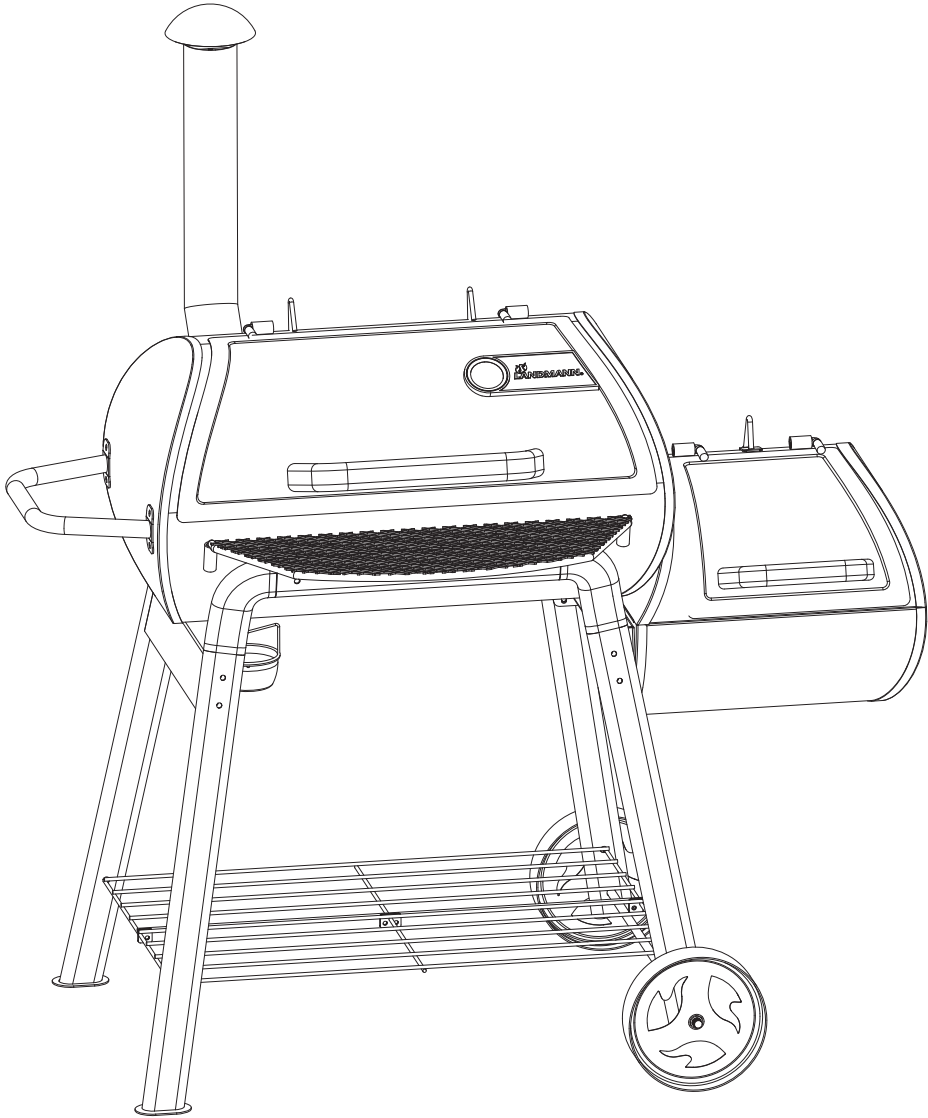


30.



31.







IMPORTANT! CURE PROCESS

Prior to the first use, follow these 3 steps to cure the finish as well as rid the smoker of paint odor.

STEP 1:

Remove all the cooking grates. Close the air vent and lightly coat ALL INTERIOR surfaces with vegetable oil. This can be done by wiping the vegetable oil on with a clean rag or with vegetable oil spray. Coat all interior sides of the cooking chamber and offset smoker firebox. It is not necessary to coat the charcoal or cooking grates for the cure process.

STEP 2:

Start the first fire with 1.1 lbs. of charcoal in the offset smoker firebox and 3.3 lbs. of charcoal in the cooking chamber. NEVER allow any charcoal to touch any of the sides. Charcoal must be used for the curing process. Do not use firewood or wood chunks. Adjust the vent and chimney damper to full open. After the coals have ashed over, close the lids.

STEP 3:

Maintain the coals for 1 hour keeping the lids closed as much as possible. The temperature gauge should be above 300° F degrees but not more than 450° F. After 1 hour of heat, allow the smoker to cool completely on its own.

IMPORTANT!

It is important not to scrape or rub any surface during the curing process. The smoker is ready to be used after the cure process has been completed.

The smoker is ready to be used after the cure process has been completed.

GRILL OPERATING INSTRUCTIONS



This grill becomes very hot and possibly the handles. Use caution working around the grill. Use mittens or oven gloves when opening the lids or adjusting the vent or chimney damper during use.

1. Pour the desired amount (3.3 lbs.) of charcoal onto the cooking chamber charcoal grates.
2. Do not allow charcoal to come in contact with the sides.
3. Adjust the vent and chimney damper to full open and keep the lid open.
4. Light charcoal according to the charcoal manufacturer instructions.
5. After the flames have disappeared from the charcoal (about 10-15 minutes), check to see that the charcoal has ashed over (turned gray) and the initial starter odors are gone.
6. Adjust the charcoal or spread the charcoal evenly across the charcoal grates if necessary.
7. The optimum cooking temperature is 300~350° F degrees. The vent and chimney damper will need to be adjusted more open or more closed for the desired temperature. The type charcoal and the climate conditions can affect the grill temperature.
8. Carefully wipe the cooking grate surfaces with vegetable oil to keep the food from sticking.
9. Add meat and food as desired to the cooking grates. Cook food to your personal preference.
10. Add charcoal or wood as needed.

OPTIONAL:

If preferred, small wood chunks can be added to the charcoal at this time for flavor and smoke. The smoke will be heavy at first and after a short while will burn with less smoke. The temperature will spike when the wood is first added. As a general rule, you will need to add more wood or charcoal when the temperature drops below 250 degrees. Do not use more than 3 or 4 wood chunks at a time. **DO NOT ALLOW THE WOOD CHUNKS TO TOUCH OR COME IN CONTACT ON ANY SIDE OF THE COOKING CHAMBER.**

OFFSET SMOKER FIREBOX OPERATING INSTRUCTIONS



This smoker becomes very hot and possibly the handles. Use caution working around the smoker. Use mittens or oven gloves when opening the lids or adjusting the vent or chimney damper during use.

The fire is in the offset smoker firebox and the food is cooked in the smoker chamber (main barrel). The smoke and indirect heat pass through the opening between the offset smoker firebox and the smoker chamber. Follow these steps for cooking with smoke and indirect heat. Note that most food needs longer to cook (several hours) with this method. These are the basic instructions.

1. Pour the desired amount (2.5 lbs.) of charcoal onto the offset smoker firebox charcoal grate and light the charcoal according to the charcoal manufacturer instructions. **DO NOT ALLOW ANY CHARCOAL TO TOUCH THE PANEL SIDES.**
2. Adjust the vent and chimney damper to full open and keep the offset smoker firebox lid open.
3. Light charcoal according to the charcoal manufacturer instructions.
4. After the flames have disappeared from the charcoal (about 10-15 minutes), check to see that the charcoal has ashed over (turned gray) and the initial starter odors are gone.
5. Adjust the charcoal or spread the charcoal evenly across the charcoal grates if necessary.
6. Now carefully add about 1-2 lbs. of wood chunks to the fire. Note! Keep all wood chunks away from the firebox side panels. **DO NOT ALLOW ANY WOOD TO TOUCH THE PANEL SIDES.** The best types of wood for flavor and smoke are pecan, hickory and mesquite. The smoke will be heavy at first and after a short while will burn with less smoke.
7. Carefully wipe the cooking grate surfaces with vegetable oil to keep the food from sticking.
8. When the smoker chamber temperature reaches 220~250 degrees, add meat and food as desired to the cooking grates. Cook food to your personal preference.
9. Adjust the vent and chimney damper as needed to control the temperature in the smoker chamber.
10. As a general rule, you will need to add more wood when the temperature drops below 200 degrees. 1-2 lbs of wood will burn for about 1 hour. Each pound of meat will take 1 hour to cook. These are general rules and will vary depending on your actual conditions.

FOOD TEMPERATURES

If you are unsure about when food is done, use this chart as a guide for measuring properly cooked meat temperatures.

Use a high quality meat thermometer with probe to measure the meat temperature. Push probe into the thickest part of the meat to get an accurate measurement. The temperature gauge on the grill measures the air temperature of the grill cooking chamber, not the food temperature.

Steaks & Roasts

Medium rare.....	145°F (63°C)
Medium.....	160°F (71°C)
Well done.....	170°F (77°C)

Bison

Medium Rare.....	145°F (63°C)
Medium.....	160°F (71°C)
Well Done.....	170°F (77°C)

Lamb:

Medium Rare.....	145°F (63°C)
Medium.....	160°F (71°C)
Well Done.....	170°F (77°C)

Ground Meats:

Beef, Pork.....	160°F (71°C)
Turkey.....	165°F (74°C)

Pork:

Medium.....	160°F (71°C)
Well Done.....	165°F (74°C)

Poultry:

Chicken	165°F (74°C)
Turkey	165°F (74°C)

Fish.....	145°F (63°C)
-----------	--------------

Egg Dishes.....	160°F (71°C)
-----------------	--------------

If you still have questions, please see the USDA contact info below.

USDA Meat and Poultry Hotline
1-888-674-6854
TTY: 1-800-256-7072
www.IsItDoneYet.gov



WARNING!
NEVER USE GASOLINE,
ALCOHOL OR VOLATILE
FLUIDS TO START OR
RESTART FIRES.



WARNING!
HOT SURFACES DURING
USE! USE MITTENS OR
GLOVES ON THESE PARTS.

**AVAILABLE
ACCESSORIES**

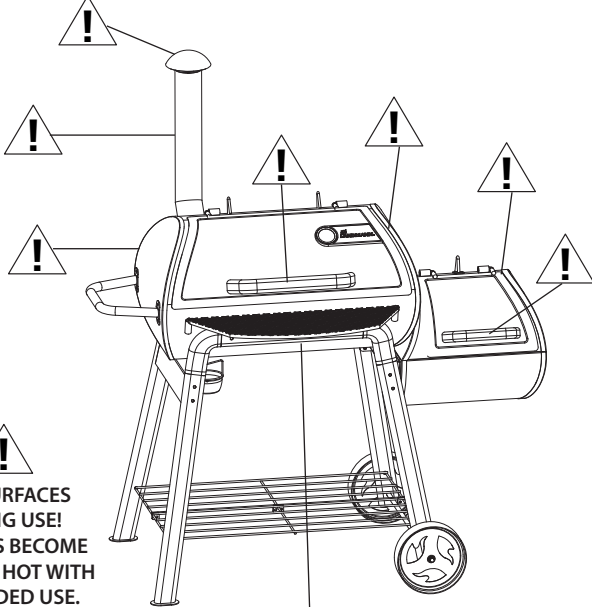


**COVER
MODEL 15726**
This high quality cover keeps out the elements.

Please visit our website at:
www.landmann-usa.com
-OR-
Call customer service toll free at:
1-800-321-3473

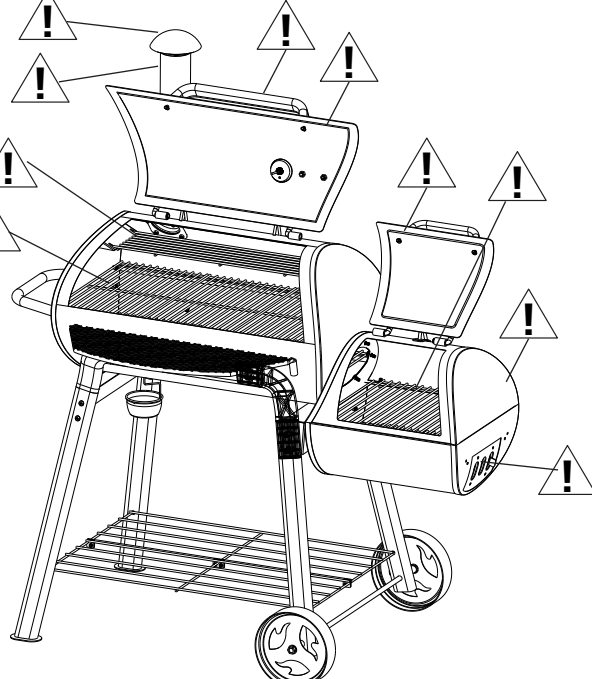
Congratulations on your purchase of the Heavy-Duty Barrel Smoker! At Landmann USA, we strive to provide you with an easy to use, easy to assemble product. However, in the unlikely event your package should have a missing or defective part, please contact us at: customerservice@landmann-usa.com
-OR-
1-877-347-4557 M-F 8-5 ET.
Proof of purchase may be required.
Thank you!

Landmann USA, Inc.
7405 Graham Rd, Fairburn, Ga 302130
www.landmann-usa.com
Made in China

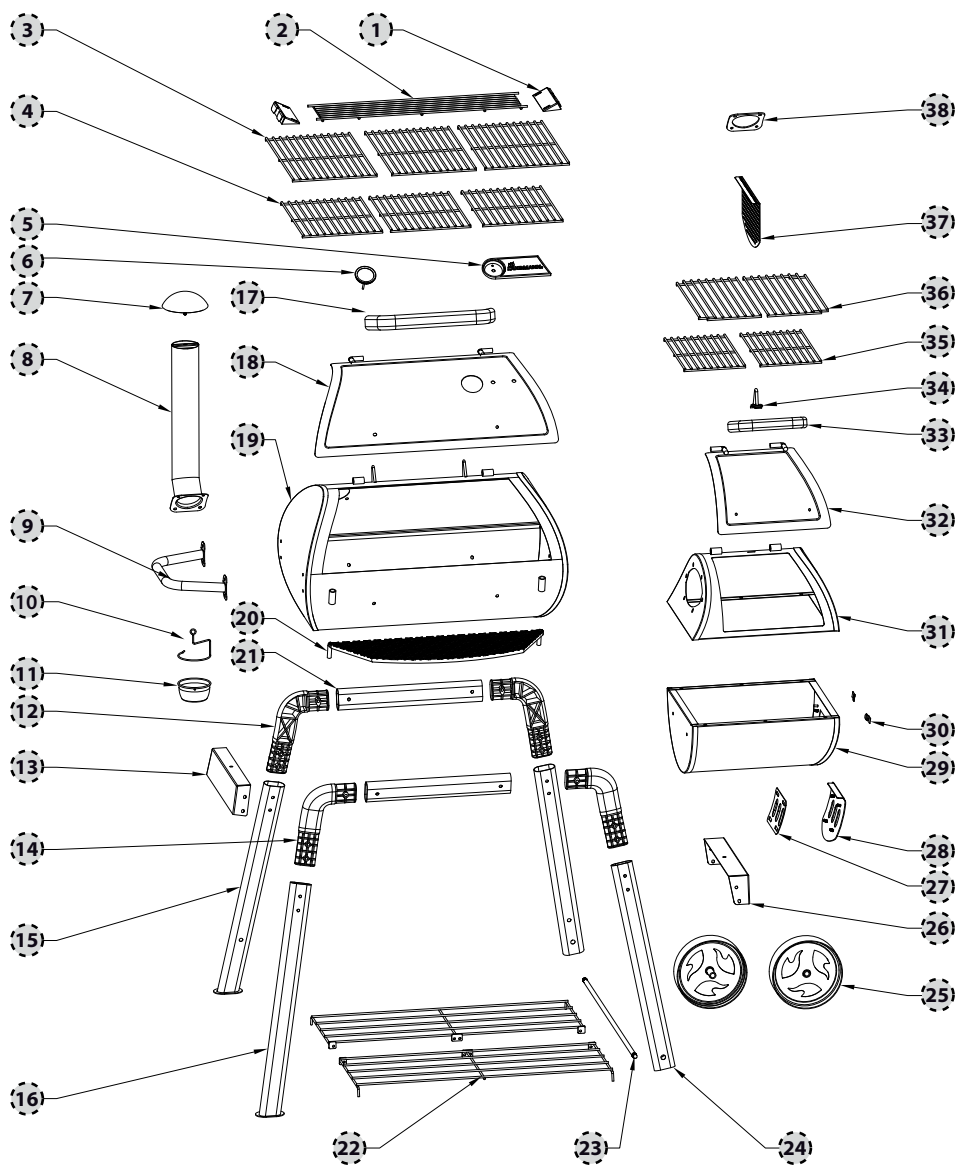


**HOT SURFACES DURING USE!
HANDLES BECOME WARM TO HOT WITH EXTENDED USE.**

SHELF MAY GET HOT DURING USE.



Replacement Parts



Part	Description	QTY	Part #
1	Warming Rack Bracket	2	VN0001
2	Warming Rack	1	VN0002
3	Main Cooking Grate	3	VN0003
4	Main Charcoal Grate	3	VN0004
5	Logo plate	1	VN0005
6	Temperature gauge	1	VN0006
7	Chimney Cap	1	VN0007
8	Chimney	1	VN0008
9	Side Handle	1	VN0009
10	Grease Cup Holder	1	VN0010
11	Grease Cup	1	VN0011
12	Cart Leg Corner LR/RF	2	VN0012
13	Cart Brace Left	1	VN0013
14	Cart Leg Corner LF/RR	2	VN0014
15	Cart Leg Left Rear	1	VN0015
16	Cart Leg Left Front	1	VN0016
17	Grill Lid Handle	1	VN0017
18	Grill Lid	1	VN0018
19	Grill Firebox	1	VN0019
20	Front Shelf	1	VN0020
21	Cart Leg Center	2	VN0021
22	Cart Base Panel	2	VN0022
23	Axle	1	VN0023
24	Cart Leg Right	2	VN0024
25	Wheel	2	VN0025
26	Cart Brace Right	1	VN0026
27	Smoker Box Vent Screen	1	VN0027
28	Smoker Box Vent	1	VN0028
29	Smoker Box Bottom	1	VN0029
30	Smoker Box Vent Holder	2	VN0030
31	Smoker Box Top	1	VN0031
32	Smoker Box Lid	1	VN0032
33	Smoker Box Lid Handle	1	VN0033
34	Smoker Box Lid Stop	1	VN0034
35	Smoker Box Charcoal Grate	2	VN0035
36	Smoker Box Cooking Grate	2	VN0036
37	Smoker Box Ash Shield	1	VN0037
38	Chimney Gasket	1	VN0038

Part	Description	QTY	Part #
Parts not shown			
	Instruction manual	1	VN0039
	Hardware pack	1	VN0040



LIMITED WARRANTY

Landmann USA ("Landmann") warrants that this product shall be free of defects in material and workmanship to the original purchaser for 2 years on all parts. This limited warranty is made exclusively to the original customer presenting proof of purchase. This warranty is limited to non-commercial residential use only. Any returned goods must be shipped prepaid.

This warranty does not cover normal wear of parts or damage resulting from any of the following: negligence, abuse, misuse, alteration, improper installation, improper maintenance or failure to perform normal maintenance, or any use contrary to operating instructions. Furthermore, Landmann does not warrant in any way the finish of the product or cover damage or deterioration due to any normal or severe weather conditions or to any chemical exposure. These warranties do not cover surface scratches, rust or heat damage, which is considered to be normal wear. These warranties exclude liability for any indirect, incidental consequential damages or loss of property of any nature.

Do not return product or any parts to the store or ship to the manufacturer without written authorization.

Contact Customer Service at: 1-877-3GRILLS (1-877-347-4557) or grills@landmann-usa.com. Any returned products or parts must be returned postage prepaid.

These warranties are limited to non-commercial residential use only.

Product repair or replacement as provided under this warranty is your exclusive remedy. Landmann shall not be liable for any incidental or consequential damages or breach of any express or implied warranty on this product or any part thereof, except to the extent prohibited by applicable law. Some states do not allow the exclusion or limitation of incidental or consequential damages, or allow limitation on how long an implied warranty lasts, therefore, the above limitation or exclusion may not apply to you. This warranty gives you specific legal rights, and you may also have other rights, which vary, from state to state.

Instructions de montage et de service



 LIRE TOUTES LES RÉGLES POUR LE BON FONCTIONNEMENT ET LA SÉCURITÉ ALIMENTAIRE AVANT UTILISATION.

FR

VERSION : 480511
DATE : #2018
ÉDITION : 12/17Li





LIRE EN PREMIER LIEU ! RÈGLES POUR LE FONCTIONNEMENT SÛR DU FUMOIR ULTRA-RÉSISTANT EN FÛT.

- LE FUMOIR EST CONÇU POUR UNE UTILISATION EN EXTÉRIEUR UNIQUEMENT !
- NE PAS UTILISER SANS LE BAC À CENDRES EN PLACE.
- NE PAS RETIRER LE BAC À CENDRES S'IL CONTIENT DES CHARBONS CHAUDS.
- TENIR LE FUMOIR À UN MINIMUM DE 10 PIEDS DE DISTANCE DES BÂTIMENTS, STRUCTURES, OBJETS INFLAMMABLES ET VÉHICULES.
- NE JAMAIS UTILISER LE FUMOIR SOUS DES PORCHES COUVERTS, DES AUVENTS, DES BRANCHES BASSES, DES TREILLIS OU DES SURPLOMBS DE TOUT TYPE.
- NE JAMAIS UTILISER DANS DES ZONES FERMÉES TELLES QUE DES PATIOS, DES GARAGES, DES PIÈCES FERMÉES, DES BÂTIMENTS OU DES TENTES.
- TOUJOURS UTILISER LE FUMOIR SUR UNE SURFACE SOLIDE, STABLE ET PLANE.
- LE FUMOIR EST CONÇU POUR UNE UTILISATION PAR DES ADULTES UNIQUEMENT.
- AVERTISSEMENT ! NE JAMAIS UTILISER D'ESSENCE, D'ALCOOL OU DE FLUIDES VOLATILS POUR ALLUMER OU RALLUMER UN FEU. UTILISER DE L'ALLUME-FEU LIQUIDE POUR CHARBON UNIQUEMENT POUR ALLUMER DU CHARBON. LIRE ET RESPECTER RIGOREUSEMENT LES INSTRUCTIONS DU FABRICANT DE L'ALLUME-FEU LIQUIDE POUR CHARBON.
- TENIR LES ENFANTS ET LES ANIMAUX À L'ÉCART LORSQUE LE FUMOIR EST UTILISÉ.
- DES GANTS OU DES MANIQUES SERONT NÉCESSAIRES POUR OUVRIR LES COUVERCLES CAR LES SURFACES SERONT CHAUDES.
- LA PLUPART DES SURFACES DE CE FUMOIR DEVIENNENT BRÛLANTES, RESTER VIGILANT.
- NE PAS DÉPLACER LE FUMOIR LORSQU'IL EST UTILISÉ.
- NE LAISSER SANS SURVEILLANCE À AUCUN MOMENT LORS DE L'UTILISATION.
- NE PAS UTILISER EN CAS DE VENT.
- RESTER VIGILANT LORS DE L'OUVERTURE DU COUVERCLE CAR DE LA VAPEUR CHAUDE OU UNE FLAMBÉE POURRAIT CAUSER DES BRÛLURES.
- AVANT CHAQUE UTILISATION, S'ASSURER QUE LE FUMOIR EST EN BON ÉTAT DE FONCTIONNEMENT.
- POUR UNE PLUS LONGUE DURÉE DE VIE DU PRODUIT, MAINTENIR LES FEUX DE BOIS À UNE AMPLÉUR RESPECTABLE, NE PAS SURCHARGER.
- NE PAS LAISSER DU CHARBON ENTRER EN CONTACT AVEC LES PAROIS DU FUMOIR.
- LAISSER DU CHARBON ENTRER EN CONTACT AVEC LES PAROIS DU FUMOIR
- RÉDUIRA GRANDEMENT LA DURÉE DE VIE DU MÉTAL ET LA FINITION.
- NE PAS MODIFIER LE FUMOIR DE QUELQUE FAÇON QUE CE SOIT.
- NE PAS UTILISER LE FUMOIR JUSQU'À CE QU'IL SOIT COMPLÈTEMENT MONTÉ AVEC TOUTES LES PIÈCES FERMEMENT SERRÉES.
- NE PAS ENTREPOSER D'OBJETS INFLAMMABLES SUR LA TABLETTE INFÉRIEURE.
- NE PAS UTILISER SANS UN BIDON À GRAISSE EN PLACE.
- LA TABLETTE AVANT PEUT SUPPORTER 10 LIVRES EN TOUTE SÉCURITÉ, NE PAS PLACER PLUS DE 10 LIVRES SUR LA TABLETTE AVANT.
- NE PAS SE PENCHER OU S'APPUYER SUR LES TABLETTES.
- RESTER VIGILANT UNE FOIS QUE LE FEU A ÉTÉ ÉTEINT. DES SURFACES RESTENT CHAUDES PENDANT UN CERTAIN TEMPS.
- S'ASSURER QUE TOUS LES CHARBONS SONT FROIDS AVANT DE LES ÉLIMINER.
- ÉLIMINER LES CHARBONS CORRECTEMENT.
- LE FUMOIR DOIT ÊTRE COMPLÈTEMENT REFROIDI ET TOUTES LES BRAISES DOIVENT ÊTRE ÉTEINTES AVANT D'UTILISER UNE HOUSSE DE PROTECTION.



SÉCURITÉ ALIMENTAIRE

- LA VIANDE ET LA VOLAILLE CRUES DOIVENT ÊTRE SÉPARÉES DE LA NOURRITURE PRÊTE À ÊTRE MANGÉE.
- UTILISER DES PLATS ET USTENSILES PROPRES POUR MANIPULER LA NOURRITURE CUITE.
- BIEN CUIRE LA VOLAILLE ET LA VIANDE POUR TUER LES BACTÉRIES.
- UTILISER UN THERMOMÈTRE À LECTURE INSTANTANÉE POUR ASSURER DES TEMPÉRATURES DE VIANDE INTERNES CORRECTES.
- GARDER LA NOURRITURE PRÉPARÉE ET LES RESTES AU RÉFRIGÉRATEUR.
- SE LAVER LES MAINS AINSI QUE LES USTENSILES ET LES SURFACES AU SAVON ET À L'EAU CHAUDE AVANT ET APRÈS LA MANIPULATION DE VIANDE ET VOLAILLE CRUES.



WARNING

RISQUE DE MONOXYDE DE CARBONE !

LE BOIS OU LE CHARBON QUI BRÛLE PRODUIT DU MONOXYDE DE CARBONE, QUI EST INODORE ET PEUT ENTRAÎNER LA MORT S'IL EST BRÛLÉ DANS DES ZONES FERMÉES. NE JAMAIS BRÛLER DE BOIS OU DE CHARBON DANS DES MAISONS, DES VÉHICULES, DES TENTES OU D'AUTRES ZONES FERMÉES.

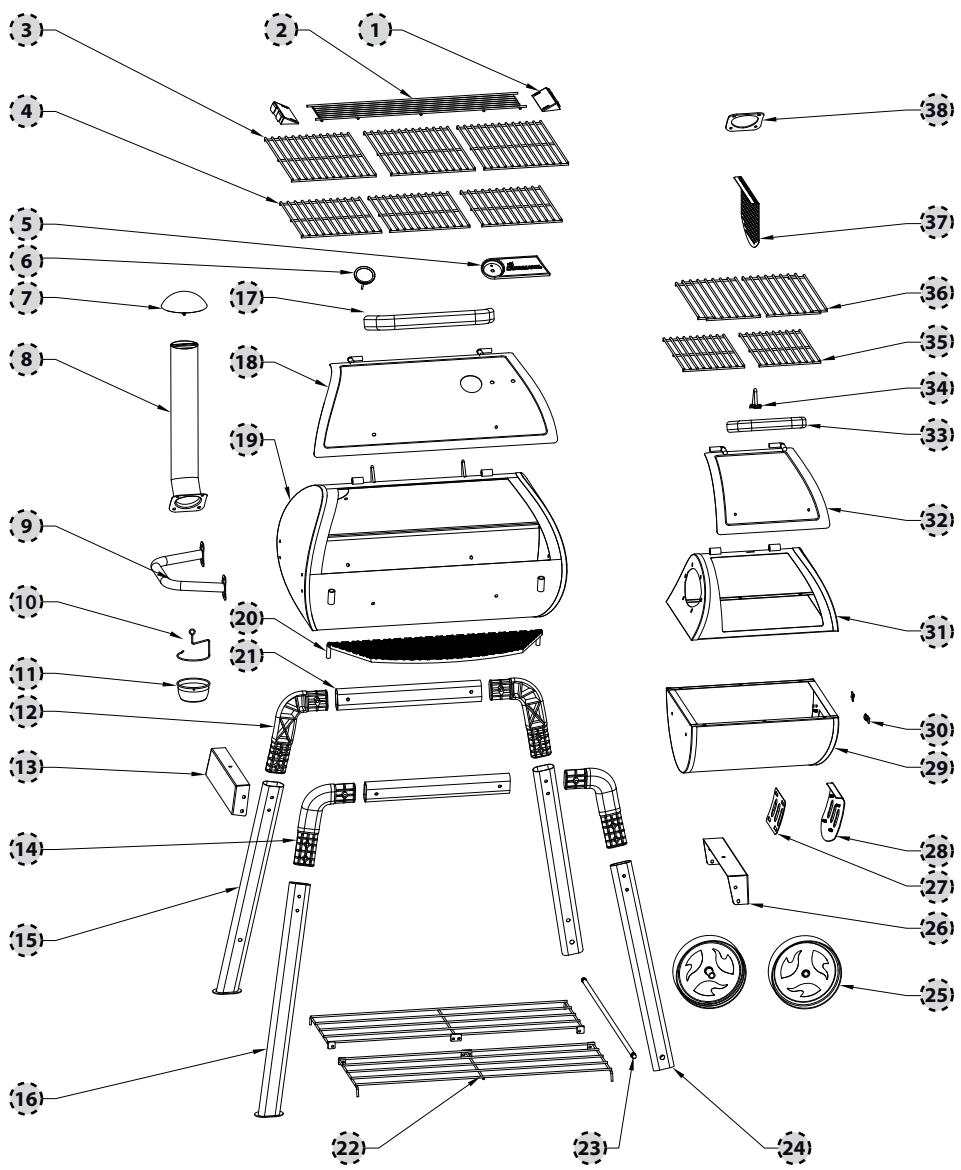









WARNING

Les combustibles utilisés dans les appareils de combustion de bois ou de charbon et les produits de combustion de tels combustibles peuvent vous exposer à des substances chimiques, y compris le noir de carbone, qui est reconnu en Californie comme cause de cancer, et le monoxyde de carbone, qui est reconnu en Californie comme cause de malformations congénitales et d'autres anomalies de l'appareil reproducteur. Pour plus d'informations, consulter : www.P65Warnings.ca.gov.

LISTE DU MATÉRIEL ET DES PIÈCES

Lors du déballage du fumoir du carton, s'assurer de trouver et de se familiariser avec toutes les pièces listées ci-dessous. Rester vigilant car certaines pièces peuvent avoir des bords tranchants.



A	B	C	D	E	F	G
						
M6x45	M6x16	M6x12	M12	M6	M6	Ø6
12x	6x	27x	2x	37x	4x	2x

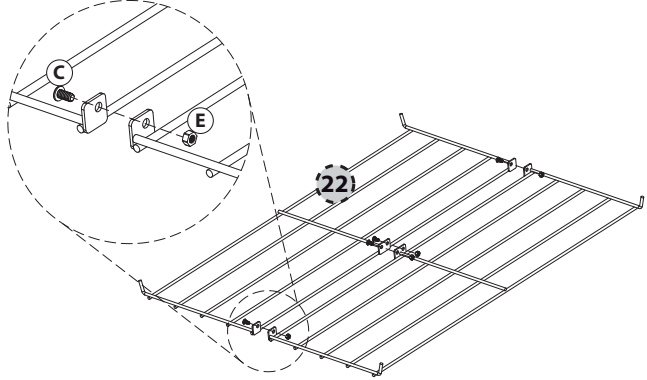


Outils requis :
Tournevis Phillips
Clé à molette réglable

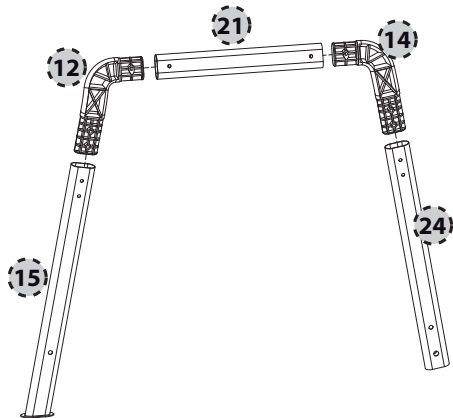
1.

C  M6x12 4x

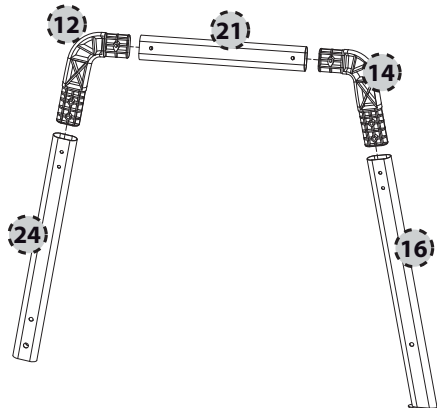
E  M6 4x



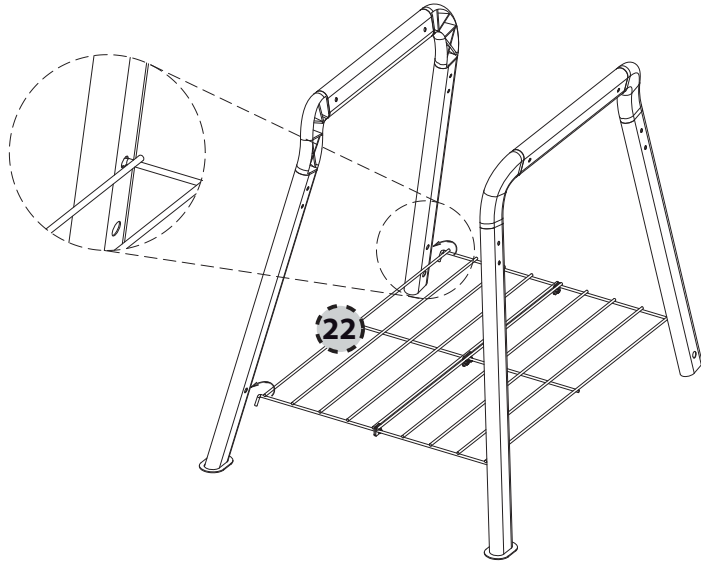
2.





3.

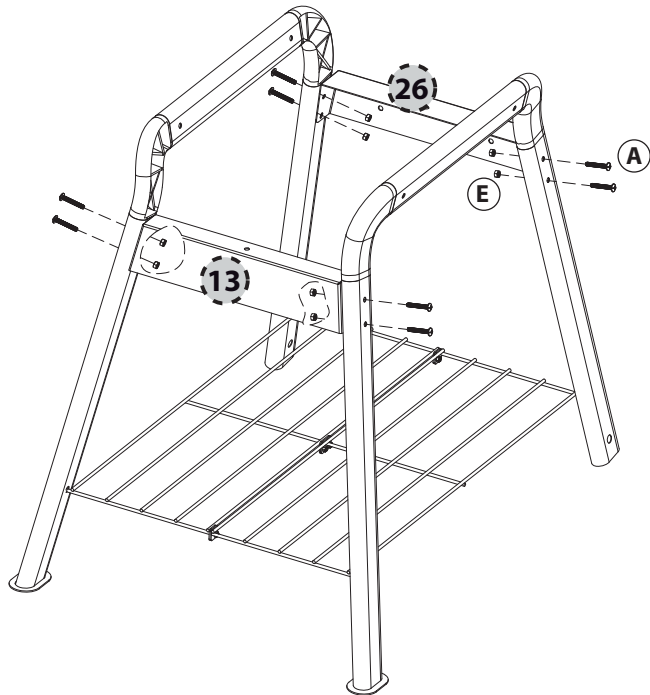


4.



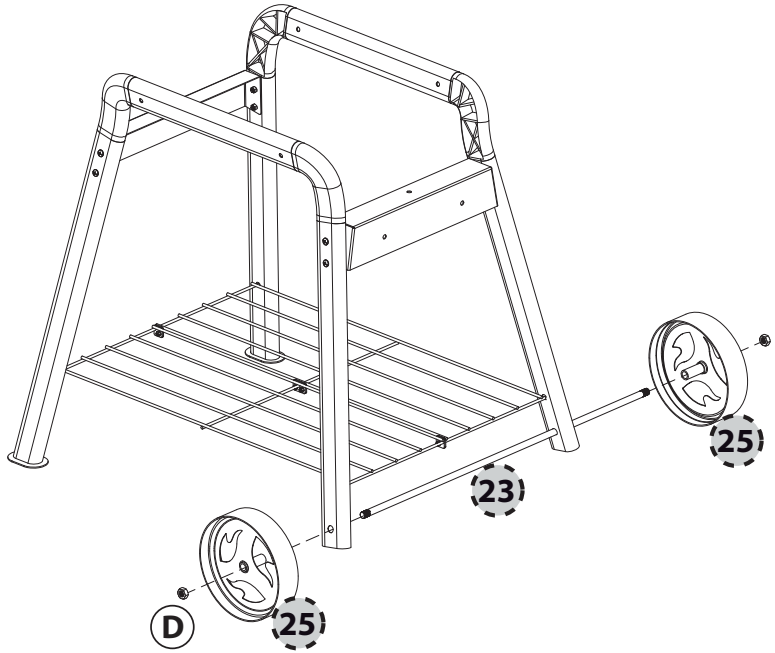
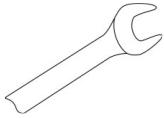
5.

- (A)  M6x45 8x
- (E)  M6 8x

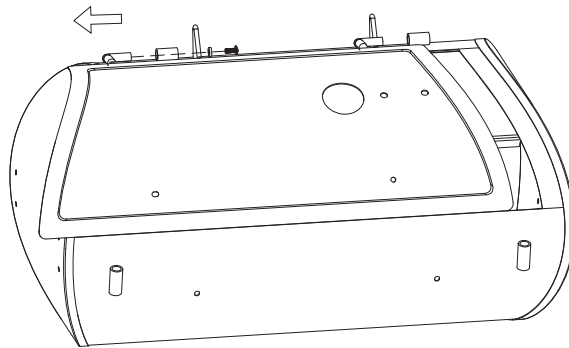


6.

ⓓ  M12 2x

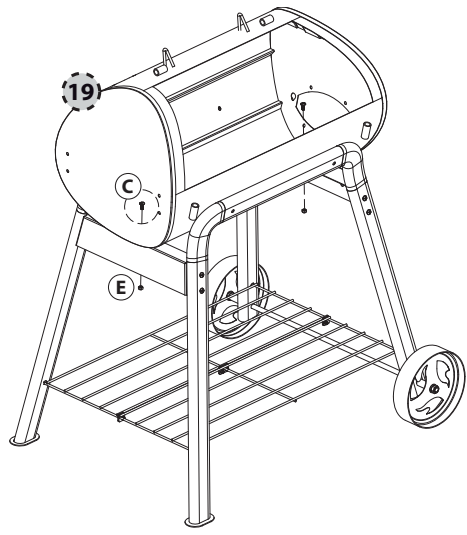


7.





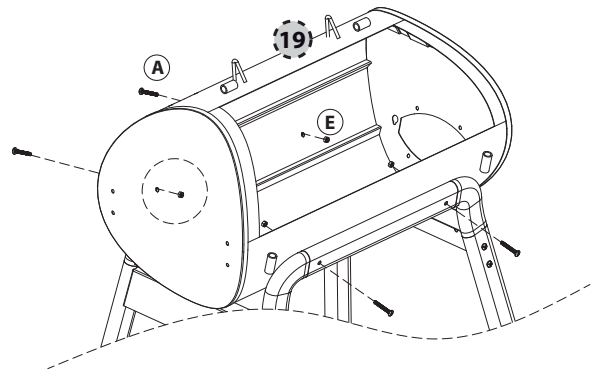
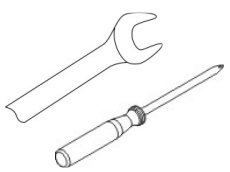
8.

- C  M6x12 2x
- E  M6 2x

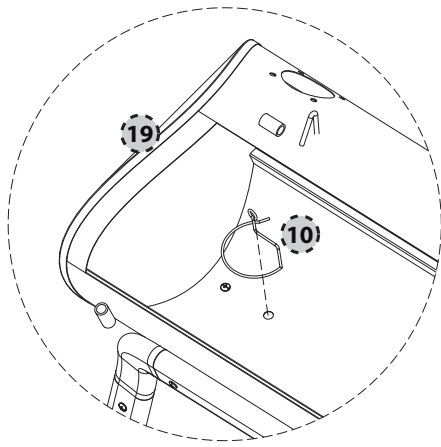


9.

- A  M6x45 4x
- E  M6 4x



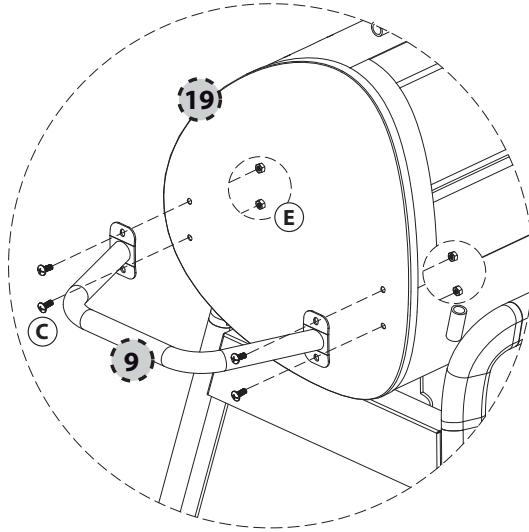
10.



11.

C  M6x12 4x

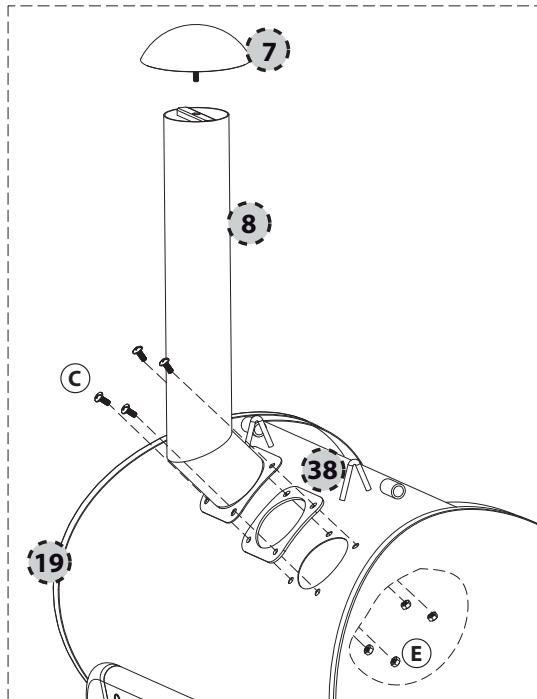
E  M6 4x



12.

C  M6x12 4x

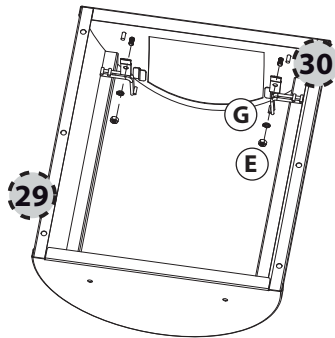
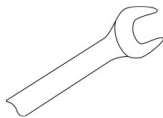
E  M6 4x



13.

G  $\Phi 6$ 2x

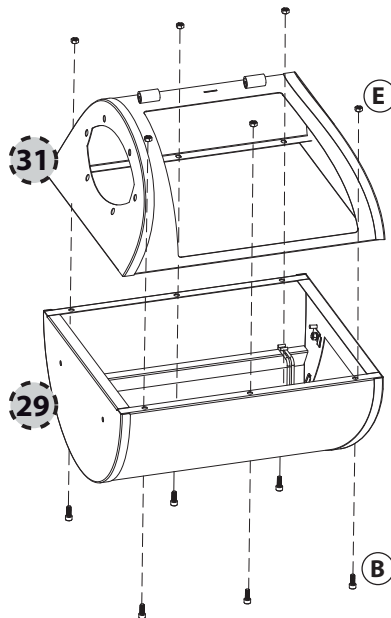
E  M6 2x



14.

B  M6x16 6x

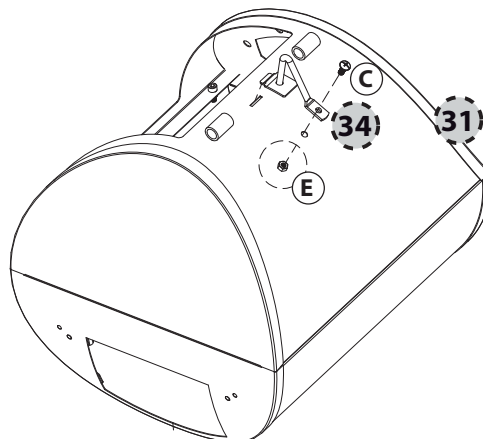
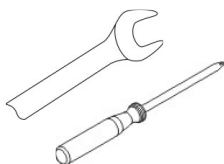
E  M6 6x



15.

C  M6x12 1x

E  M6 1x

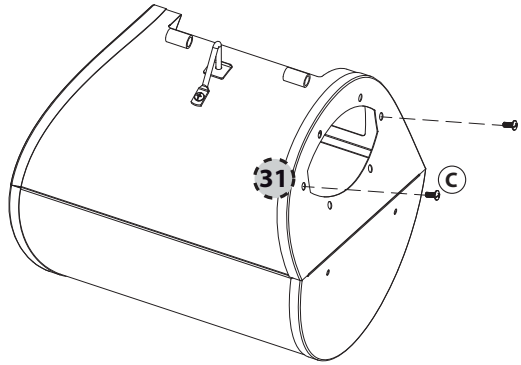


16.

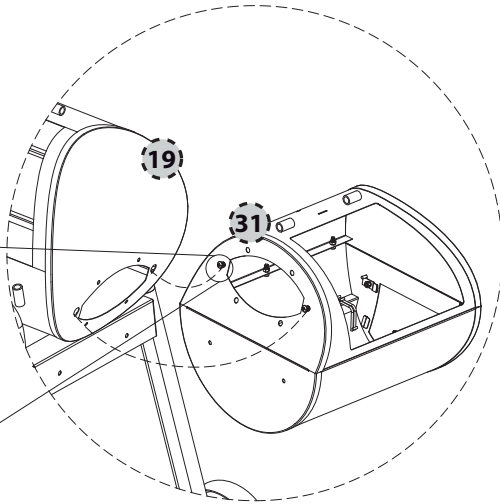
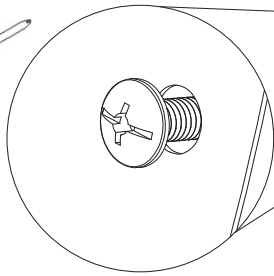
Ⓒ



M6x12 2x



17.

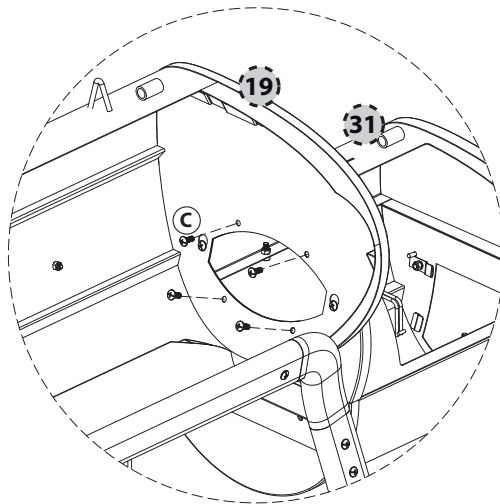
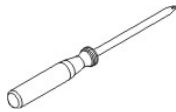


18.

Ⓒ



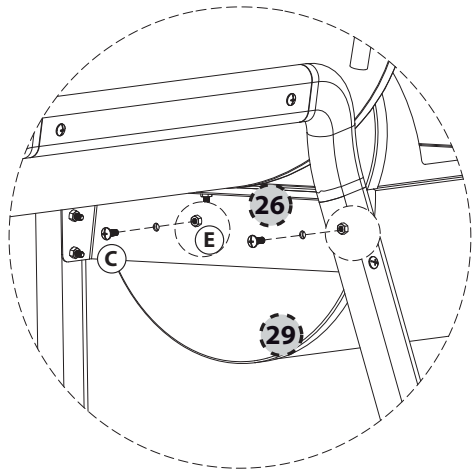
M6x12 4x



19.

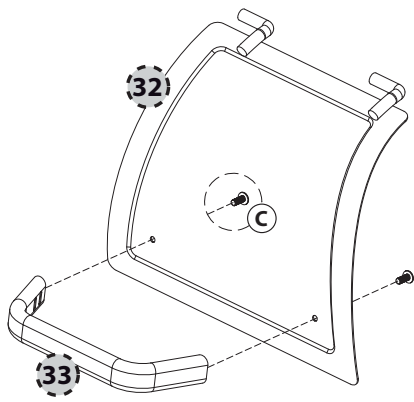
C  M6x12 2x

E  M6 2x

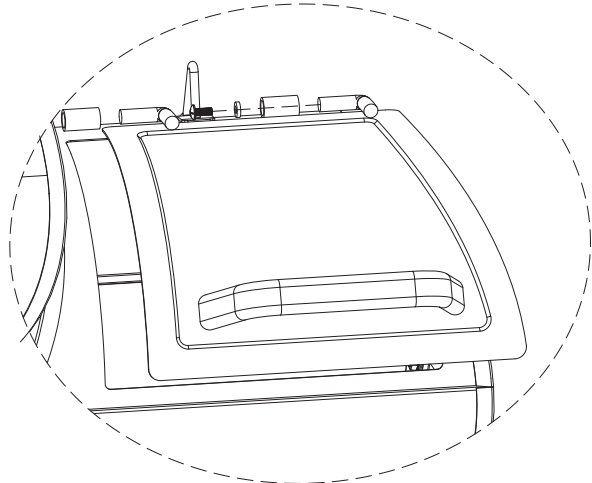
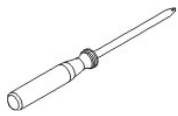


20.

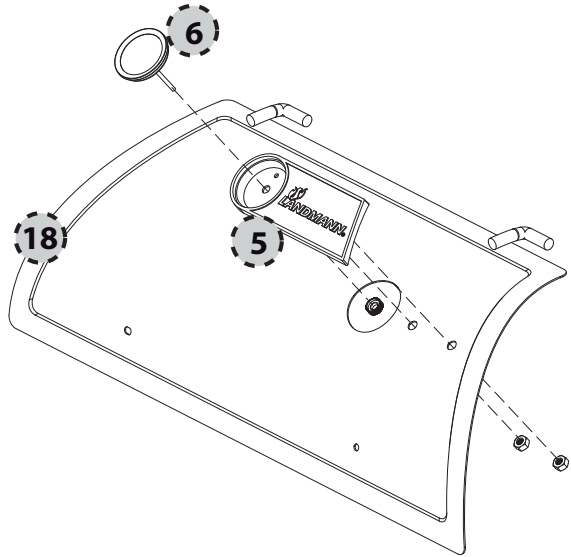
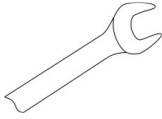
C  M6x12 2x



21.



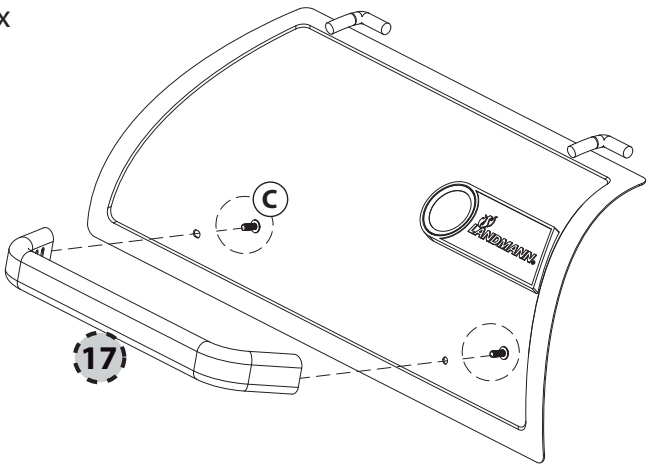
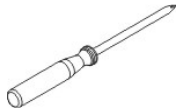
22.



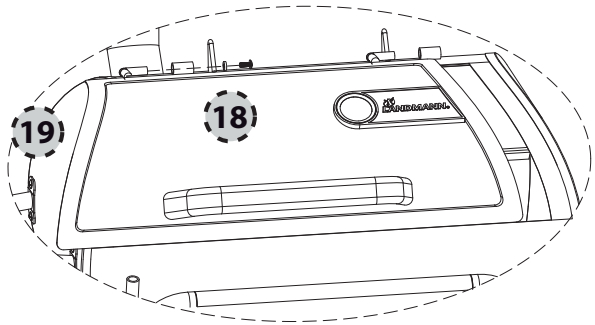
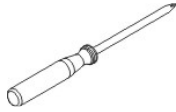
23.



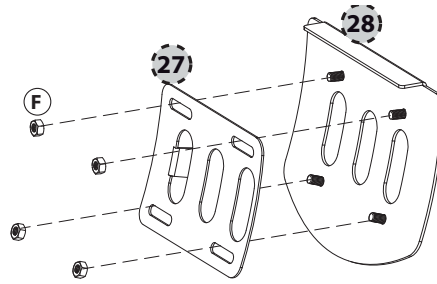
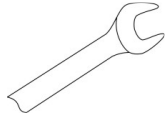
M6x12 2x



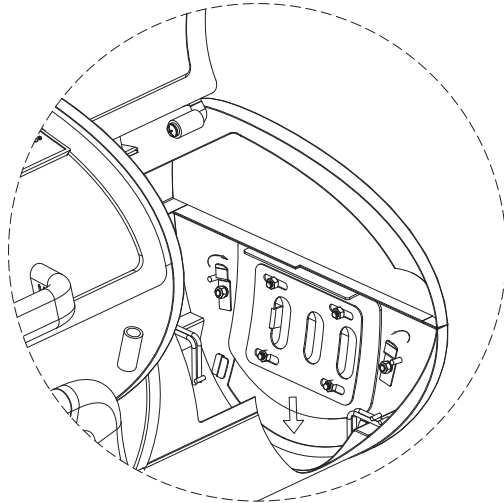
24.



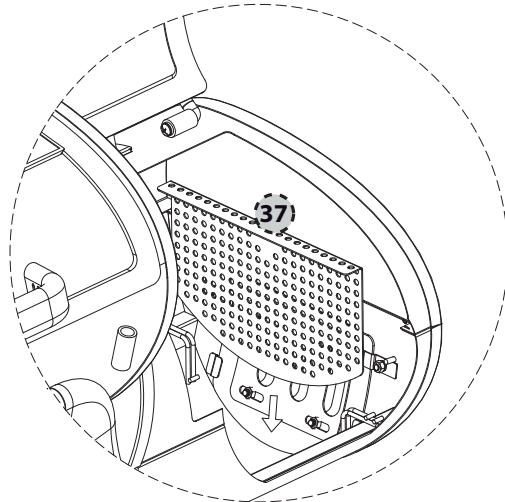
25. (F) M6 4x



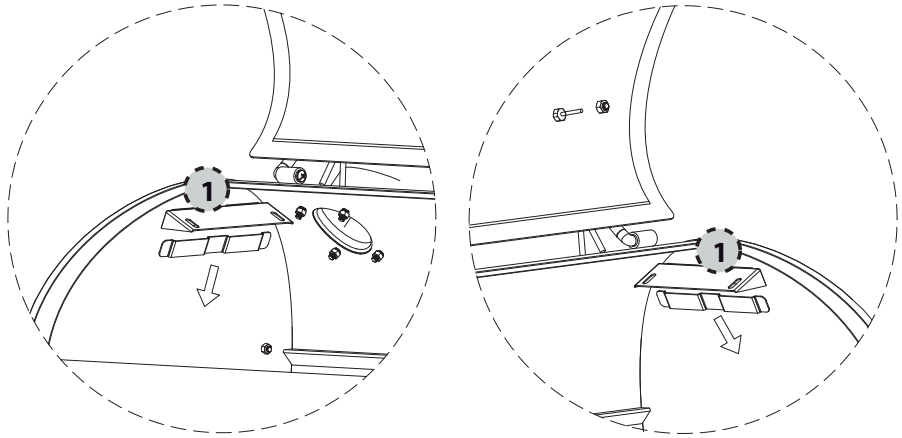
26.



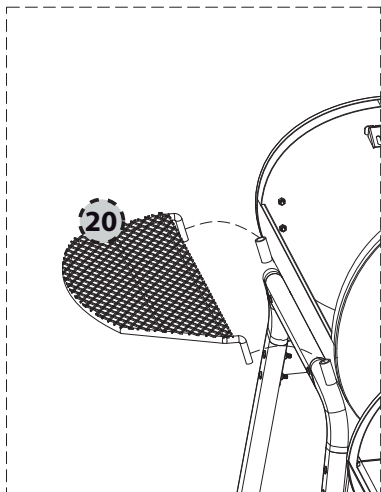
27.



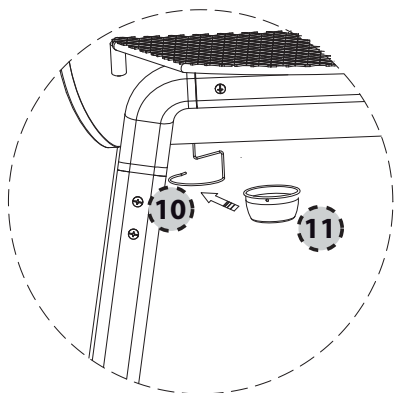
28.



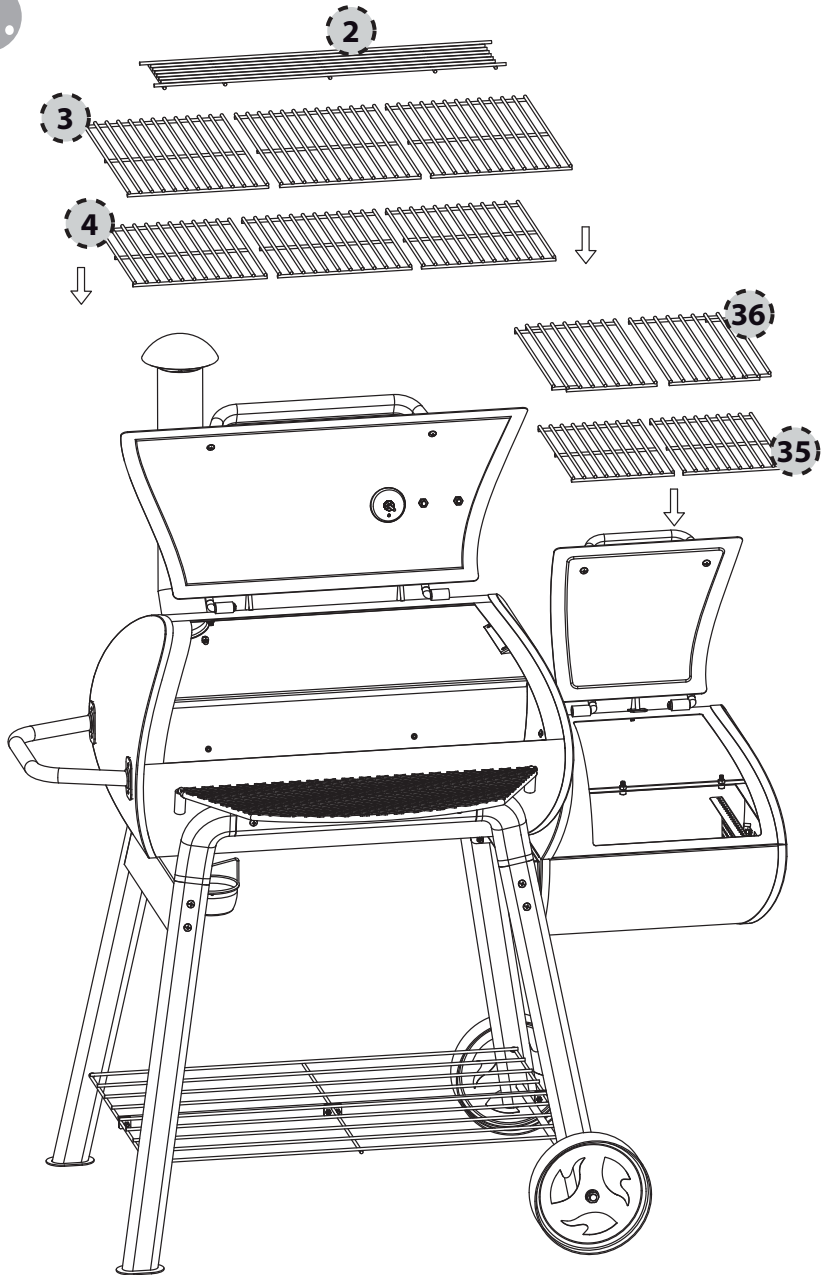
29.

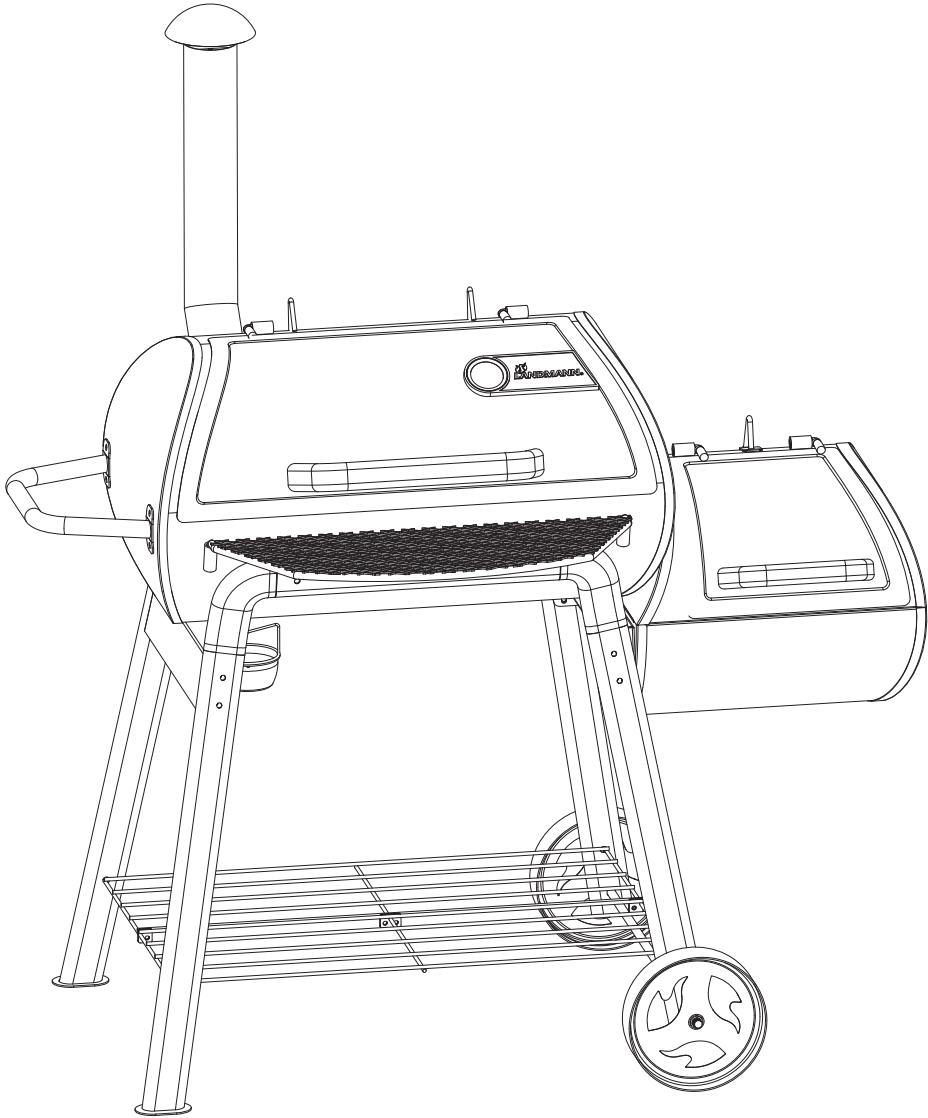


30.



31.







IMPORTANT ! PROCESSUS DE TRAITEMENT

Avant la première utilisation, suivre ces 3 étapes pour traiter la finition et éliminer l'odeur de peinture du fumoir.

ÉTAPE 1 :

Retirer toutes les grilles de cuisson. Fermer l'aération et enduire légèrement TOUTES les surfaces INTÉRIEURES d'huile végétale. Cela peut être effectué en appliquant l'huile végétale avec un chiffon propre ou avec un pulvérisateur d'huile végétale. Enduire toutes les parois intérieures de la chambre de cuisson et du foyer décalé du fumoir. Il n'est pas nécessaire d'enduire le charbon ou les grilles de cuisson pour le processus de traitement.

ÉTAPE 2 :

Allumer le premier feu avec 1,1 livres de charbon dans le foyer décalé du fumoir et 3,3 livres de charbon dans la chambre de cuisson. Ne JAMAIS laisser du charbon entrer en contact avec l'une des parois. Du charbon doit être utilisé pour le processus de traitement. Ne pas utiliser de bois à brûler ou de morceaux de bois. Régler le clapet de cheminée et d'aération sur ouverture complète. Une fois les braises brûlées, fermer les couvercles.

ÉTAPE 3 :

Maintenir les braises pendant 1 heure en gardant les couvercles fermés autant que possible. La jauge de température doit être supérieure à 300 °F sans toutefois dépasser 450 °F. Après 1 heure de chauffe, laisser le fumoir refroidir complètement par lui-même.

IMPORTANT !

Il est important de ne pas racler ou frotter une surface pendant le processus de traitement.

Le fumoir est prêt à être utilisé une fois le processus de traitement terminé.

Le fumoir est prêt à être utilisé une fois le processus de traitement terminé.

INSTRUCTIONS DE SERVICE DU GRIL



Ce gril devient brûlant, ainsi qu'éventuellement les poignées. Rester vigilant lors du travail autour du gril. Utiliser des gants de cuisine ou des maniques lors de l'ouverture des couvercles ou du réglage du clapet de cheminée ou d'aération pendant l'utilisation.

1. Verser la quantité de charbon souhaitée (3,3 livres) sur les grilles à charbon de la chambre de cuisson.
2. Ne pas laisser du charbon entrer en contact avec les parois.
3. Régler le clapet de cheminée et d'aération sur ouverture complète et laisser le couvercle ouvert.
4. Allumer le charbon selon les instructions du fabricant du charbon.
5. Une fois que les flammes ont disparu du charbon (environ 10 à 15 minutes), vérifier que le charbon a brûlé (devenu gris) et que les odeurs d'allumage initiales sont parties.
6. Ajuster le charbon ou répartir le charbon uniformément sur les grilles à charbon si nécessaire.
7. La température optimale de cuisson est comprise entre 300 et 350 °F. Le clapet de cheminée et d'aération doit être réglé plus ouvert ou plus fermé pour la température souhaité. Le type de charbon et les conditions climatiques peuvent affecter la température du gril.
8. Essuyer minutieusement les surfaces de grille de cuisson avec de l'huile végétale pour empêcher la nourriture d'adhérer.

9. Ajouter la quantité de viande et de nourriture souhaitée sur les grilles de cuisson. Faire cuire la nourriture à sa convenance personnelle.
10. Ajouter du charbon ou du bois si nécessaire.

EN OPTION :

Si désiré, il est possible d'ajouter des petit morceaux de bois au charbon à ce moment-là pour plus d'arômes et de fumée. La fumée sera épaisse dans un premier temps, puis fumerà moins après un court moment. La température monte en flèche lorsque le bois est ajouté pour la première fois. En général, il est nécessaire d'ajouter plus de bois ou de charbon lorsque la température chute à moins de 250 degrés. Ne pas utiliser plus de 3 ou 4 morceaux de bois à la fois. **NE PAS LAISSER LES MORCEAUX DE BOIS TOUCHER OU ENTRER EN CONTACT AVEC UNE PAROI DE LA CHAMBRE DE CUISSON.**

INSTRUCTIONS DE SERVICE DU FOYER DÉCALÉ DU FUMOIR



Ce fumoir devient brûlant, ainsi qu'éventuellement les poignées. Rester vigilant lors du travail autour du fumoir. Utiliser des gants de cuisine ou des maniques lors de l'ouverture des couvercles ou du réglage du clapet de cheminée ou d'aération pendant l'utilisation.

Le feu se trouve dans le foyer décalé du fumoir et la nourriture est cuite dans la chambre du fumoir (fût principal). La fumée et la chaleur indirecte passent par l'orifice entre le foyer décalé du fumoir et la chambre de fumoir. Suivre ces étapes pour la cuisson avec fumée et chaleur indirecte. Noter que la plupart des aliments doivent cuire plus longtemps (plusieurs heures) avec cette méthode. Il s'agit des instructions de base.

1. Verser la quantité souhaitée de charbon (2,5 livres) sur la grille à charbon du foyer décalé du fumoir et allumer le charbon selon les instructions du fabricant du charbon. **NE PAS LAISSER LE CHARBON TOUCHER LES CÔTÉS DES PANNEAUX.**
2. Régler le clapet de cheminée et d'aération sur ouverture complète et laisser le couvercle du foyer décalé du fumoir ouvert.
3. Allumer le charbon selon les instructions du fabricant du charbon.
4. Une fois que les flammes ont disparu du charbon (environ 10 à 15 minutes), vérifier que le charbon a brûlé (devenu gris) et que les odeurs d'allumage initiales sont parties.
5. Ajuster le charbon ou répartir le charbon uniformément sur les grilles à charbon si nécessaire.
6. Ajouter ensuite avec précaution environ 1 à 2 livres de morceaux de bois dans le feu. Remarque ! Tenir tous les morceaux de bois à l'écart des panneaux latéraux du foyer. **NE PAS LAISSER LE BOIS TOUCHER LES CÔTÉS DES PANNEAUX.** Les meilleurs types de bois pour les arômes et la fumée sont le pacanier, le caryer et le mesquite. La fumée sera épaisse dans un premier temps, puis fumerà moins après un court moment.
7. Essuyer minutieusement les surfaces de grille de cuisson avec de l'huile végétale pour empêcher la nourriture d'adhérer.
8. Lorsque la température de la chambre du fumoir atteint 220 à 250 degrés, ajouter la quantité de viande et de nourriture souhaitée sur les grilles de cuisson. Faire cuire la nourriture à sa convenance personnelle.
9. Régler le clapet de cheminée et d'aération comme nécessaire pour gérer la température dans la chambre du fumoir.
10. En général, il est nécessaire d'ajouter plus de bois lorsque la température chute à moins de 200 degrés. 1 à 2 livres de bois brûlent pendant environ 1 heure. Chaque livre de viande prend 1 heure à cuire. Il s'agit de règles générales qui varient en fonction des conditions réelles.

TEMPÉRATURES DE LA NOURRITURE

En cas de doute quant à la cuisson de la viande, utiliser ce diagramme comme guide pour mesurer correctement les températures de viande cuite.

Utiliser un thermomètre à viande de grande qualité avec une sonde pour mesurer la température de la viande. Enfoncer la sonde dans la partie la plus épaisse de la viande pour obtenir une mesure précise. La jauge de température sur le grill mesure la température de l'air de la chambre de cuisson du grill, et non la température de la nourriture.

Steaks et rôtis

Saignant.....	145 °F (63 °C)
À point	160 °F (71 °C)
Bien cuit.....	170 °F (77 °C)

Bison

Saignant.....	145 °F (63 °C)
À point	160 °F (71 °C)
Bien cuit.....	170 °F (77 °C)

Agneau :

Saignant.....	145 °F (63 °C)
À point	160 °F (71 °C)
Bien cuit.....	170 °F (77 °C)

Viandes hachées :

Bœuf, porc.....	160 °F (71 °C)
Dinde.....	165 °F (74 °C)

Porc :

À point	160 °F (71 °C)
Bien cuit.....	165 °F (74 °C)

Volaille :

Poulet.....	165 °F (74 °C)
Dinde.....	165 °F (74 °C)

Poisson.....	145 °F (63 °C)
--------------	----------------

Plats aux œufs.....	160 °F (71 °C)
---------------------	----------------

Pour toute question, voir les coordonnées USDA ci-dessous.

Ligne d'assistance viande et volaille USDA

1-888-674-6854

TTY : 1-800-256-7072

www.IsItDoneYet.gov



AVERTISSEMENT !

NE JAMAIS UTILISER D'ESSENCE, D'ALCOOL OU DE FLUIDES VOLATILS POUR ALLUMER OU RALLUMER UN FEU.



HOT!

AVERTISSEMENT !

SURFACES BRÛLANTES PENDANT L'UTILISATION ! UTILISER DES GANTS OU DES MANIQUES SUR CES PIÈCES.



ACCESSOIRES DISPONIBLES

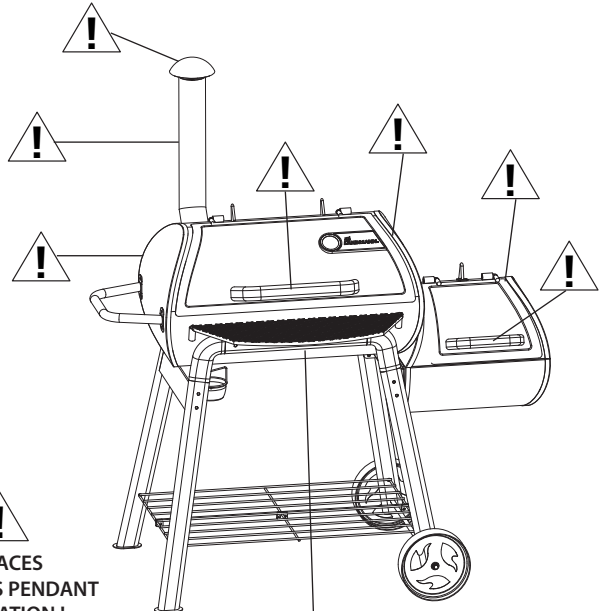
**HOUSSE DE PROTECTION
MODÈLE 15726**
Cette housse de protection haute qualité protège les éléments.

Visiter notre site Web sur :
www.landmann-usa.com
-OU-

Appeler gratuitement notre SAV au :
1-800-321-3473

Félicitations pour votre achat du Fumoir ultra-résistant en fût ! Chez Landmann USA, nous faisons tout notre possible pour vous offrir un produit facile à utiliser et facile à monter. Cependant, dans le cas peu probable où votre emballage devait contenir une pièce manquante ou défectueuse, nous contacter à : customerservice@landmann-usa.com -OU- 1-877-347-4557 M-F 8-5 ET. Un justificatif d'achat peut être requis. Merci !

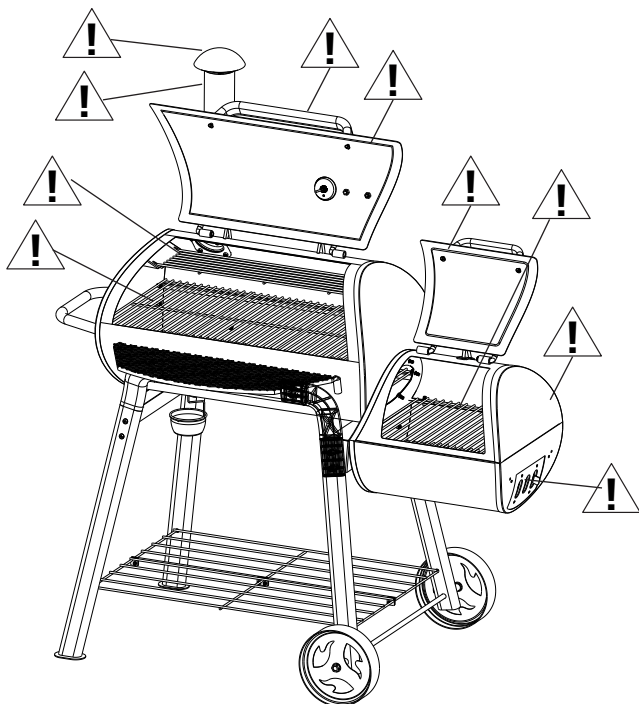
Landmann USA, Inc.
7405 Graham Rd, Fairburn, Ga 302130
www.landmann-usa.com
Fabriqué en Chine



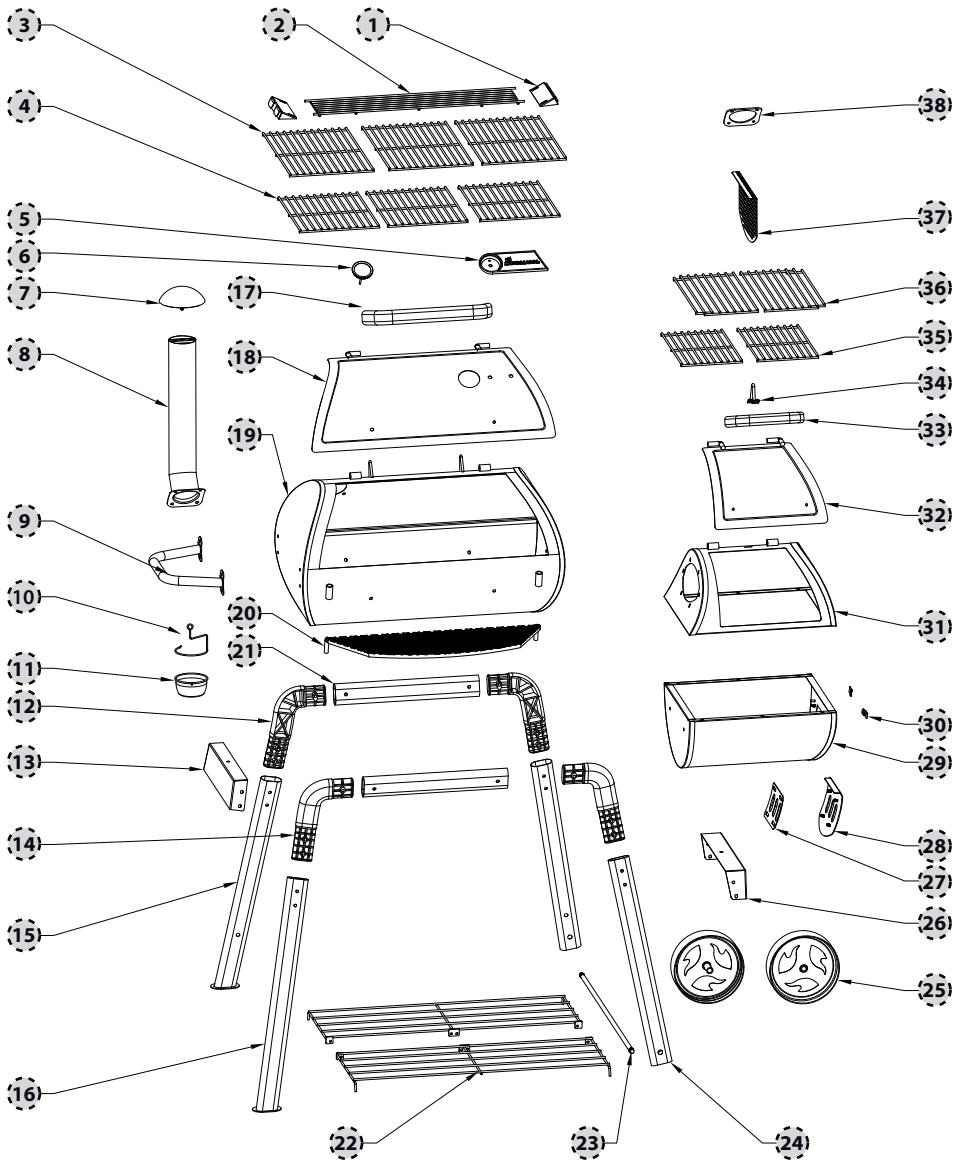
! SURFACES BRÛLANTES PENDANT L'UTILISATION ! LES POIGNÉES DEVIENNENT CHAUDES VOIRE BRÛLANTES EN CAS D'UTILISATION PROLONGÉE.



! LA TABLETTE PEUT DEVENIR BRÛLANTE PENDANT L'UTILISATION.



Pièces de rechange



Pièce	Description	Qté	Pièce #
1	Support de grille de maintien au chaud	2	VN0001
2	Grille de maintien au chaud	1	VN0002
3	Grille principale de cuisson	3	VN0003
4	Grille à charbon principale	3	VN0004
5	Plaque à logo	1	VN0005
6	Jauge de température	1	VN0006
7	Chapeau de cheminée	1	VN0007
8	Cheminée	1	VN0008
9	Poignée latérale	1	VN0009
10	Support de récupérateur de graisse	1	VN0010
11	Récupérateur de graisse	1	VN0011
12	Angle de pied du chariot Ar.G/Av.D	2	VN0012
13	Renfort gauche chariot	1	VN0013
14	Angle de pied du chariot Av.G/Ar.D	2	VN0014
15	Pied arrière gauche du chariot	1	VN0015
16	Pied avant gauche du chariot	1	VN0016
17	Poignée du couvercle du gril	1	VN0017
18	Couvercle du gril	1	VN0018
19	Foyer du gril	1	VN0019
20	Tablette avant	1	VN0020
21	Pied central du chariot	2	VN0021
22	Panneau de base du chariot	2	VN0022
23	Essieu	1	VN0023
24	Pied droit du chariot	2	VN0024
25	Roue	2	VN0025
26	Renfort droit chariot	1	VN0026
27	Filtre d'aération du corps du fumoir	1	VN0027
28	Aération du corps du fumoir	1	VN0028
29	Bas du corps du fumoir	1	VN0029
30	Support d'aération du corps du fumoir	2	VN0030
31	Haut du corps du fumoir	1	VN0031
32	Couvercle du corps du fumoir	1	VN0032
33	Poignée du couvercle du corps du fumoir	1	VN0033
34	Butée du couvercle du corps du fumoir	1	VN0034
35	Grille à charbon du corps du fumoir	2	VN0035

Pièce	Description	Qté	Pièce #
36	Grille de cuisson du corps du fumoir	2	VN0036
37	Bouclier pour cendres du corps du fumoir	1	VN0037
38	Joint de cheminée	1	VN0038
Pièces non illustrées			
	Instructions de service	1	VN0039
	Pack matériel	1	VN0040



GARANTIE LIMITÉE

Landmann USA (« Landmann ») garantit que ce produit est exempt de défauts de matériaux et de fabrication à l'acheteur d'origine pendant 2 ans sur toutes les pièces. Cette garantie limitée est octroyée exclusivement au client d'origine sur présentation d'un justificatif d'achat. Cette garantie est limitée à une utilisation résidentielle non-commerciale uniquement. Toute marchandise renvoyée doit être expédiée par envoi prépayé.

Cette garantie ne couvre pas l'usure normale des pièces ou des dommages résultant de l'un des points suivants : négligence, utilisation abusive, utilisation incorrecte, modification, installation incorrecte, maintenance incorrecte ou manquement à l'exécution de la maintenance normale, ou toute utilisation contraire aux instructions de service. En outre, Landmann rejette toute responsabilité concernant la finition du produit ou un dommage ou une détérioration de la housse de protection résultant de conditions météorologiques normales ou mauvaises ou d'une exposition à des substances chimiques. Ces garanties ne couvrent pas les rayures de surface, les dommages de rouille ou de chaleur, qui sont considérés comme de l'usure normale. Ces garanties excluent la responsabilité pour tout dommage indirect consécutif lié ou perte matérielle de quelque nature que ce soit.

Ne pas ramener le produit ou des pièces au magasin et ne pas les expédier au fabricant sans autorisation écrite.

Contactez le SAV au : 1-877-3GRILLS (1-877-347-4557) ou grills@landmann-usa.com. Tous les produits ou pièces renvoyés doivent être expédiés port payé.

Ces garanties sont limitées à une utilisation résidentielle non-commerciale uniquement.

La réparation ou le remplacement du produit conformément à cette garantie est l'unique recours. Landmann n'est pas responsable des dommages consécutifs ou accidentels ou de la violation explicite ou implicite de la garantie sur ce produit ou une pièce de celui-ci, sauf dans la mesure interdite par le droit applicable. Certains états n'autorisent pas l'exclusion ou la limitation des dommages accidentels ou consécutifs ou la limitation de la durée d'une garantie tacite ; par conséquent, la limitation ou exclusion susmentionnée ne s'applique donc pas dans ce cas. Cette garantie vous confère des droits légaux spécifiques, et vous pouvez également disposer d'autres droits légaux qui peuvent varier d'un état à l'autre.



LANDMANN[®]
Vinson 200

Manual de montaje y de manejo



LEA TODAS LAS INSTRUCCIONES DETENIDAMENTE PARA UN FUNCIONAMIENTO SEGURO Y POR LA SEGURIDAD ALIMENTARIA ANTES DEL USO.

ES

VERSIÓN: 480511
FECHA: #2018
EDICIÓN: 12/17Li





¡LÉAME PRIMERO! NORMAS DE USO CORRECTO Y SEGURO DEL BARRIL DE AHUMADO DE ALTA CAPACIDAD.

- ¡EL AHUMADOR ES SOLO PARA USO EN EXTERIORES!
- NO LO UTILICE SIN LA BANDEJA DE CENIZAS INSTALADA.
- NO EXTRAIGA LA BANDEJA DE CENIZAS SI CONTIENE CARBÓN AÚN CALIENTE.
- MANTENGA EL AHUMADOR A UN MÍNIMO DE 3 METROS DE CUALQUIER EDIFICIO, ESTRUCTURA, OBJETOS INFLAMABLES Y VEHÍCULOS.
- NO UTILICE NUNCA EL AHUMADOR BAJO PORCHES CUBIERTOS, TOLDOS, RAMAS BAJAS DE ÁRBOLES, EMPARRADOS O SALIENTES DE CUALQUIER TIPO.
- NO LO UTILICE JUNCA EN ZONAS CERRADAS COMO PATIOS, GARAJES, HABITACIONES CERRADAS, EDIFICIOS O TIENDAS DE CAMPAÑA.
- COLOQUE EL AHUMADOR SIEMPRE SOBRE UNA SUPERFICIE RÍGIDA, ESTABLE Y NIVELADA.
- EL AHUMADOR SOLO PUEDE SER UTILIZADO POR ADULTOS.
- ¡AVISO! NO UTILICE NUNCA GASOLINA, ALCOHOL O FLUIDOS VOLÁTILES PARA INICIAR O REINICIAR EL FUEGO. UTILICE SOLO FLUIDO DE ENCENDIDO DE CARBÓN. LEA ATENTAMENTE Y SIGA LAS INSTRUCCIONES DEL FABRICANTE DEL FLUIDO DE ENCENDIDO DE CARBÓN.
- MANTENGA A NIÑOS Y ANIMALES ALEJADOS MIENTRAS SE UTILICE EL AHUMADOR.
- NECESITARÁ MITONES O GUANTES PARA ABRIR LAS COMPUERTAS, YA QUE LAS SUPERFICIES ESTARÁN CALIENTES.
- VAYA CON MUCHA PRECAUCIÓN, MUCHAS SUPERFICIES DEL AHUMADOR SE PONDRÁN MUY CALIENTES.
- NO DESPLACE NI MUEVA EL AHUMADOR MIENTRAS SE ESTÉ UTILIZANDO.
- NO DEJE EL AHUMADOR SIN SUPERVISIÓN MIENTRAS ESTÉ EN USO.
- NO LO UTILICE SI SOPLA MUCHO VIENTO.
- TENGA CUIDADO AL ABRIR LA COMPUERTA YA QUE EL VAPOR Y LAS LLAMAS PUEDEN CAUSAR GRAVES QUEMADURAS.
- ANTES DE CADA USO, ASEGÚRESE DE QUE EL AHUMADOR ESTÁ EN PERFECTAS CONDICIONES DE USO.
- PARA UNA LARGA VIDA DEL PRODUCTO, MANTENGA UN NIVEL ADECUADO DE FUEGO SIN SOBRECARGAR EL AHUMADOR.
- NO PERMITA QUE EL CARBÓN ENTRE EN CONTACTO CON LOS LATERALES DEL AHUMADOR.
- SI DEJA QUE EL CARBÓN TOQUE LAS PAREDES DEL AHUMADOR, SE REDUCIRÁ MUCHO LA VIDA ÚTIL DEL METAL Y SU ACABADO.
- NO ALTERE EL AHUMADOR DE NINGUNA FORMA.
- NO UTILICE EL AHUMADOR HASTA QUE ESTÉ TOTALMENTE ENSAMBLADO CON TODAS SUS PIEZAS DEBIDAMENTE FIJADAS Y ASEGURADAS.
- NO GUARDE ARTÍCULOS INFLAMABLES EN LA BANDEJA INFERIOR.
- NO LO UTILICE SIN UNA BANDEJA RECOGEGRASAS INSTALADA.
- LA BANDEJA FRONTAL PUEDE SOPORTAR UN PESO DE HASTA 4,5 KG. CON SEGURIDAD, NO SUPERE NUNCA ESTE LÍMITE EN LA BANDEJA FRONTAL.
- NO SE APOYE NI EJERZA FUERZA SOBRE LOS ESTANTES.
- TENGA CUIDADO UNA VEZ SE HAYA APAGADO EL FUEGO, LAS SUPERFICIES PERMANECERÁN CALIENTES DURANTE ALGÚN TIEMPO.
- ASEGÚRESE DE QUE EL CARBÓN ESTÁ FRÍO ANTES DE EXTRAERLO PARA SU ELIMINACIÓN.
- ELIMINE EL CARBÓN ADECUADAMENTE.
- EL AHUMADOR DEBE ESTAR TOTALMENTE FRÍO Y TODAS LAS ASCUAS DEBEN HABERSE APAGADO ANTES DE PODER COLOCAR UNA CUBIERTA.



SEGURIDAD ALIMENTARIA

- MANTENGA LA CARNE CRUDA SEPARADA DE LOS ALIMENTOS LISTOS PARA CONSUMIR.
- UTILICE BANDEJAS Y UTENSILIOS LIMPIOS PARA MANIPULAR LOS ALIMENTOS COCINADOS.
- COCINE LAS CARNES ROJAS Y DE AVE A FONDO PARA ELIMINAR CUALQUIER BACTERIA.
- UTILICE TERMÓMETROS DE LECTURA INSTANTÁNEA PARA ASEGURARSE DE QUE LA TEMPERATURA INTERNA DE LAS PIEZAS ES LA CORRECTA.
- MANTENGA LOS ALIMENTOS PREPARADOS Y LOS RESTOS EN UNA NEVERA.
- LAVE LAS MANOS Y LOS UTENSILIOS Y SUPERFICIES CON JABÓN Y AGUA CALIENTE ANTES Y DESPUÉS DE MANIPULAR CARNES CRUDAS.

¡CUIDADO: MONÓXIDO DE CARBONO!

LA MADERA O EL CARBÓN EN COMBUSTIÓN PRODUCEN MONÓXIDO DE CARBONO, QUE ES INODORO Y PUEDE CAUSAR LA MUERTE SI LA COMBUSTIÓN SE REALIZA EN ZONAS CERRADAS. NO QUEME NUNCA MADERA O CARBÓN DENTRO DE VIVIENDAS, VEHÍCULOS, TIENDAS O CUALQUIER ESPACIO CERRADO.

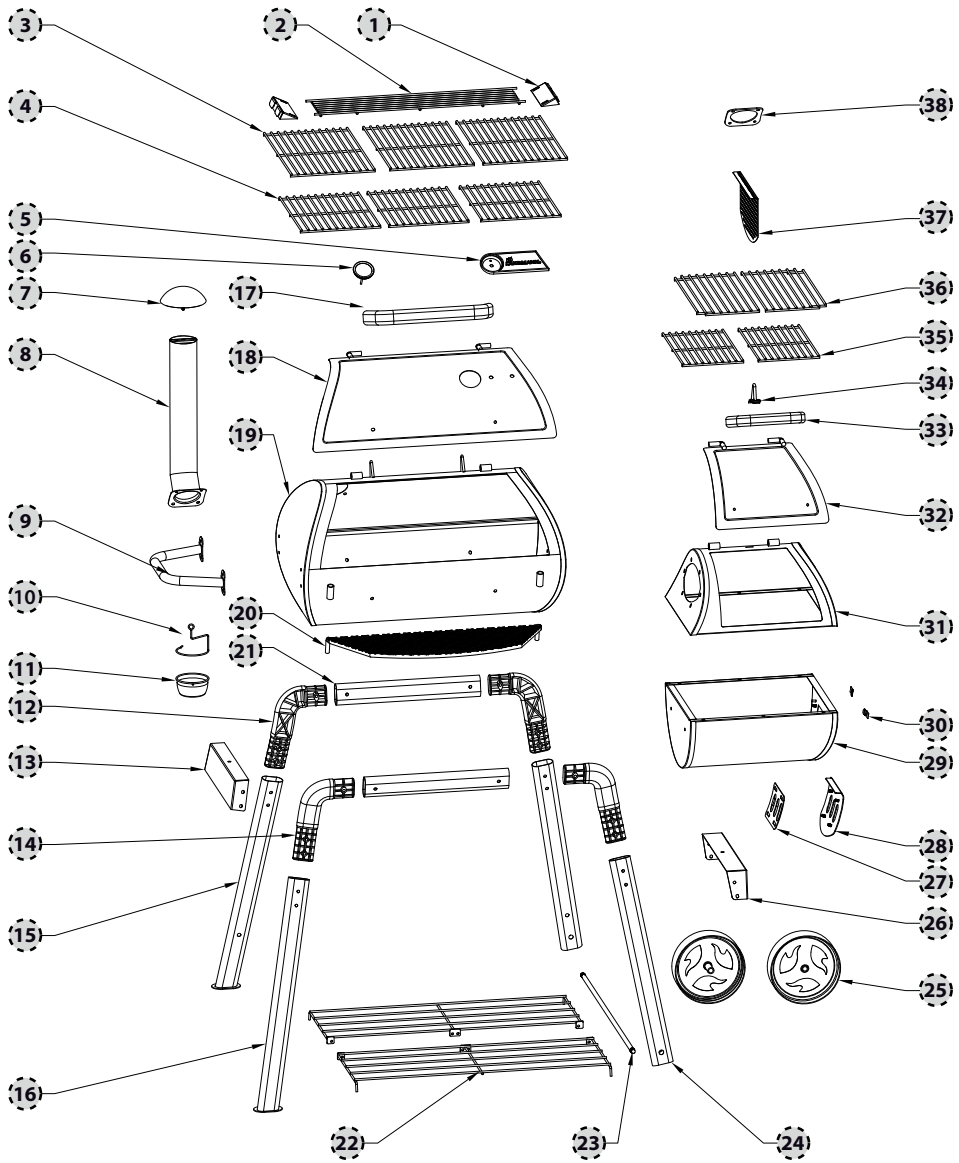









Los combustibles utilizados en dispositivos de incineración de madera o carbón y los productos de combustión como estos carburantes pueden exponerle a sustancias químicas incluyendo carbonilla, considerada como cancerígena, así como a monóxido de carbono, que puede causar daños en fetos y en otros procesos de reproducción. Para más información, consulte: www.P65Warnings.ca.gov.



MATERIAL Y LISTADO DE PIEZAS

Al desembalar el ahumador de su caja, asegúrese de que contiene todas las piezas y familiarícese con ellas, según la lista más abajo. Tenga cuidado, algunas piezas pueden tener bordes afilados.



A	B	C	D	E	F	G
						
M6x45	M6x16	M6x12	M12	M6	M6	Ø6
12x	6x	27x	2x	37x	4x	2x

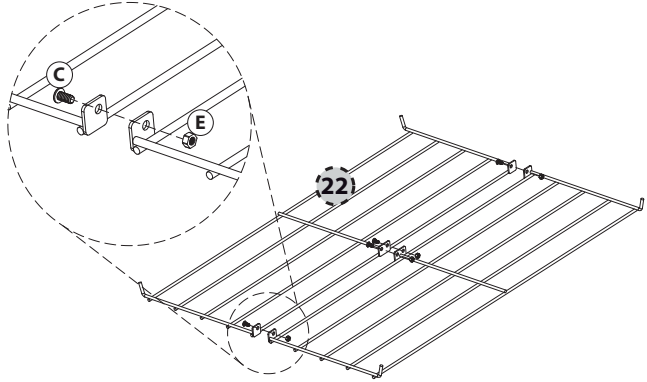


Herramientas necesarias:
Destornillador Phillips
Llave inglesa ajustable

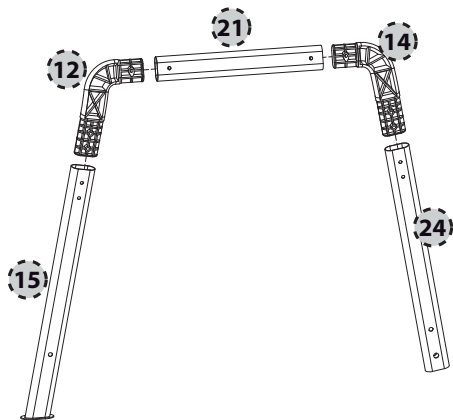
1.

C  M6x12 4x

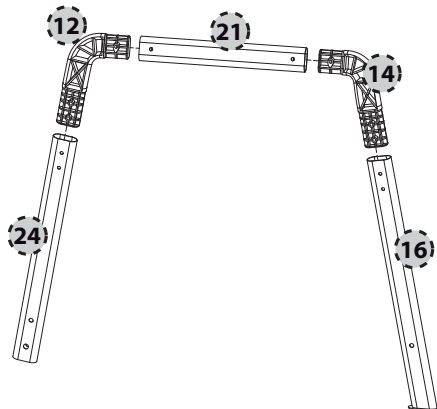
E  M6 4x



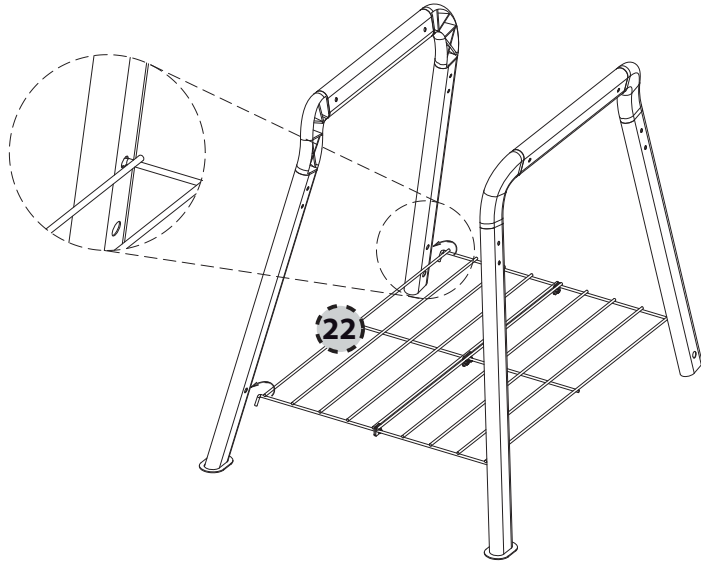
2.





3.

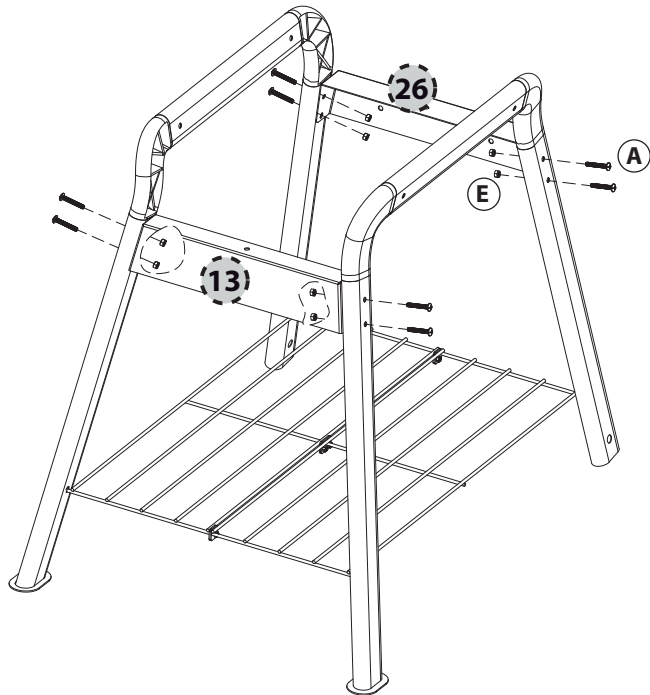


4.



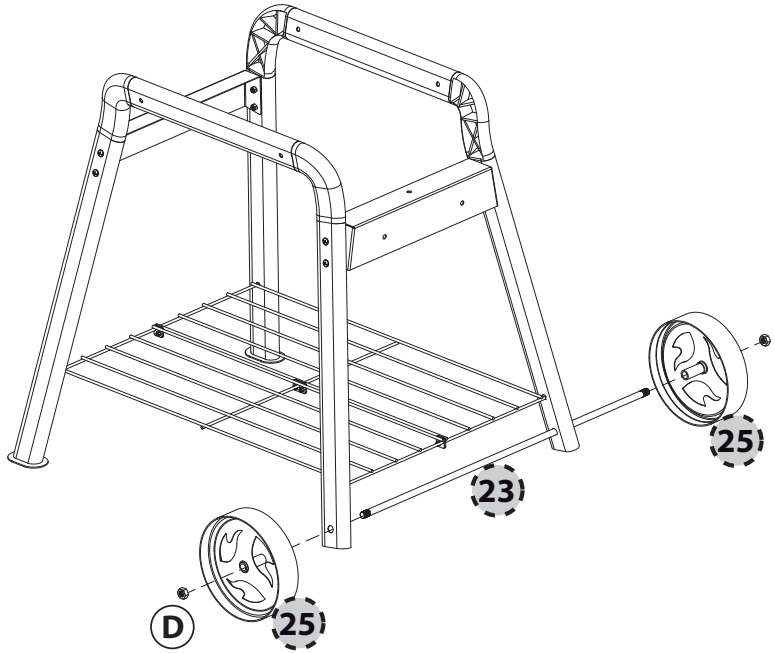
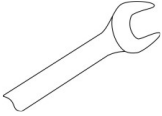
5.

- (A)  M6x45 8x
- (E)  M6 8x

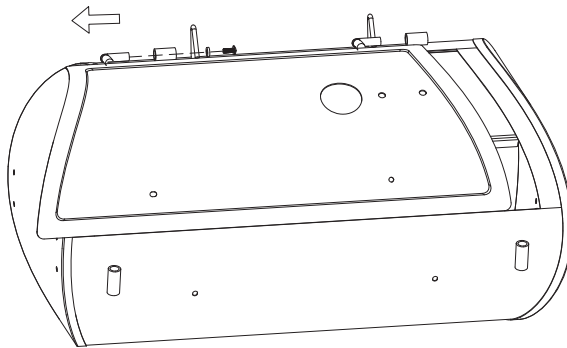


6.

ⓓ  M12 2x

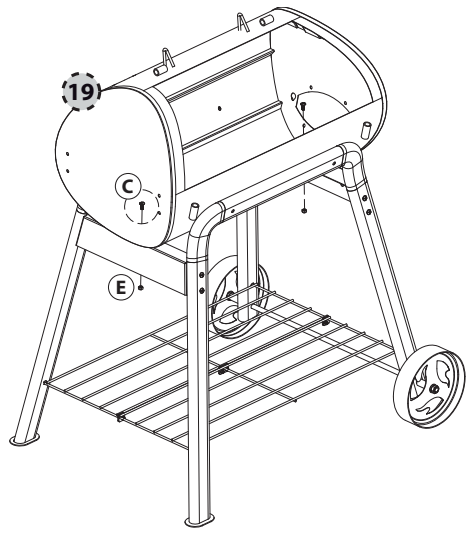


7.




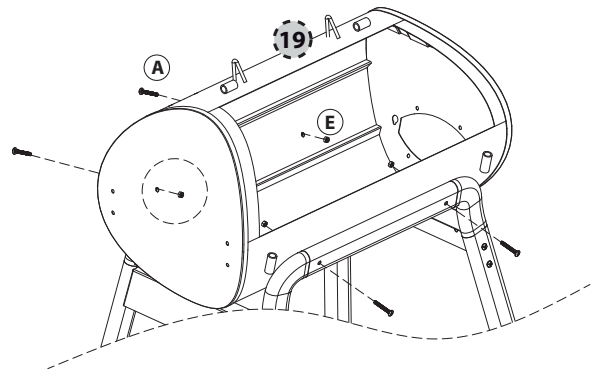
8.

- C  M6x12 2x
- E  M6 2x

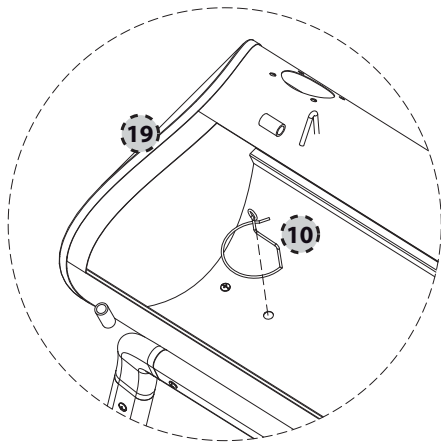


9.

- A  M6x45 4x
- E  M6 4x



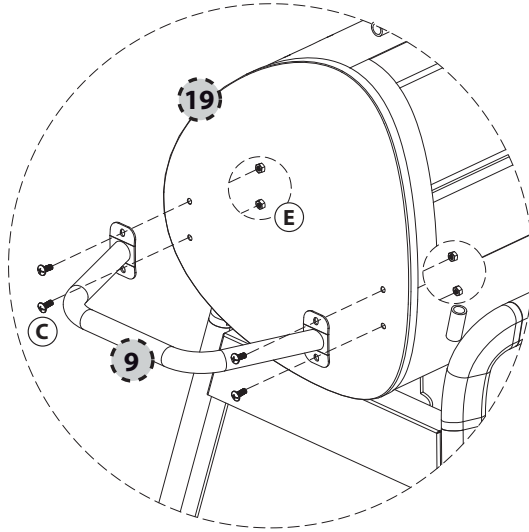
10.



11.

C  M6x12 4x

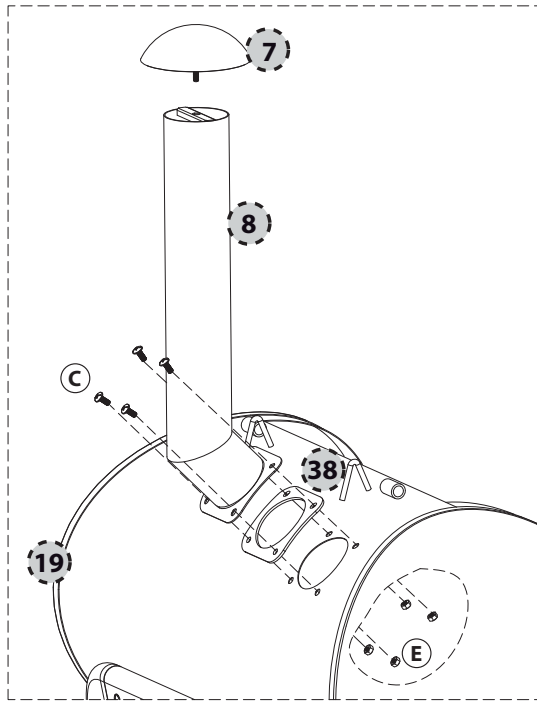
E  M6 4x



12.

C  M6x12 4x

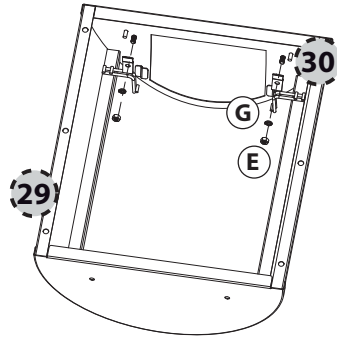
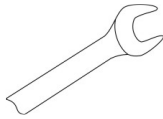
E  M6 4x




13.

G  Ø6 2x

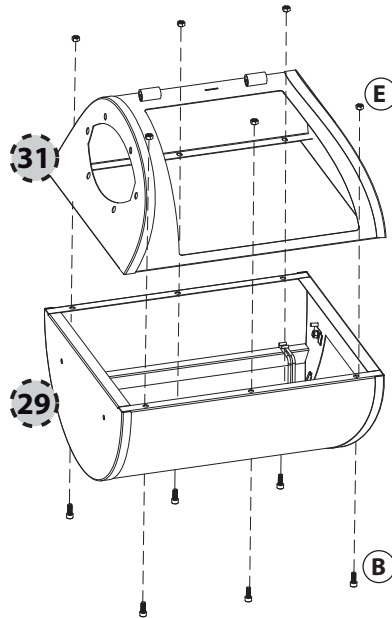
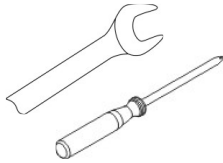
E  M6 2x



14.

B  M6x16 6x

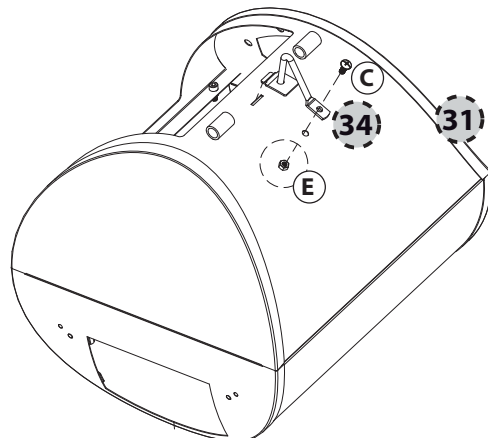
E  M6 6x



15.

C  M6x12 1x

E  M6 1x

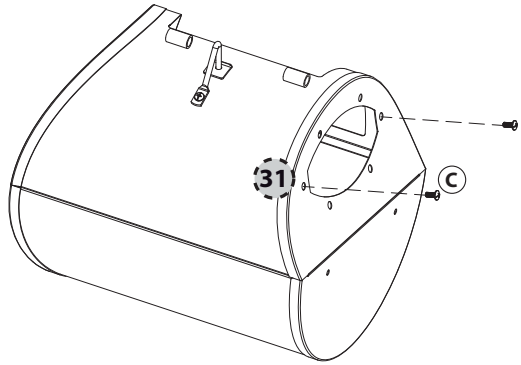


16.

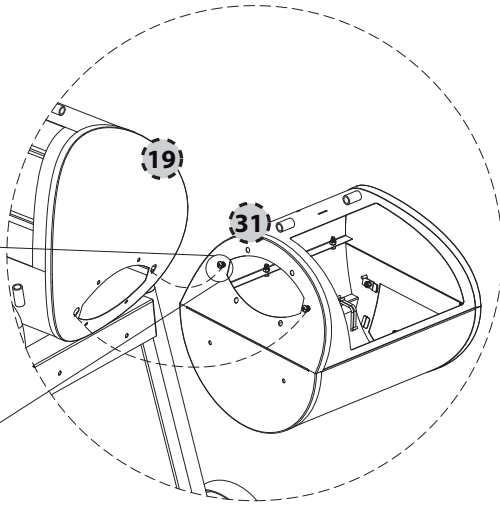
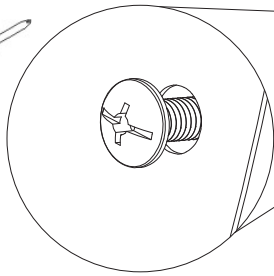
Ⓒ



M6x12 2x



17.

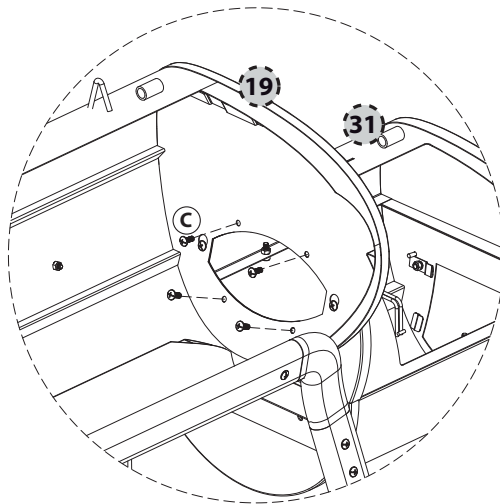
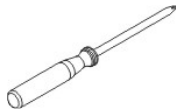


18.

Ⓒ



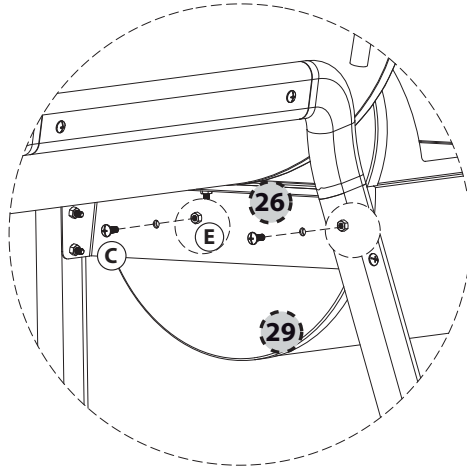
M6x12 4x



19.

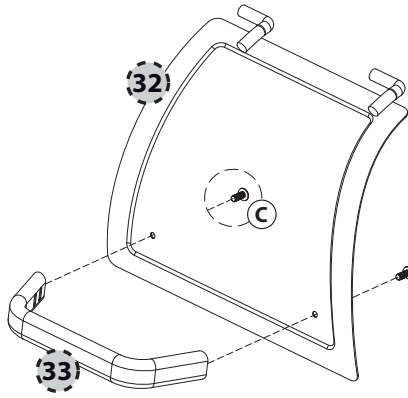
C  M6x12 2x

E  M6 2x

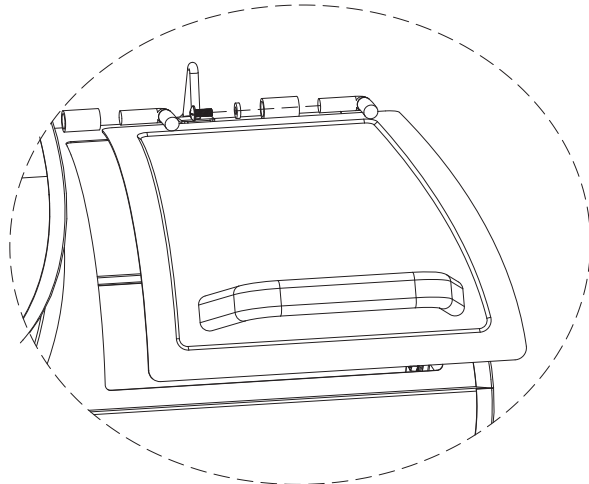
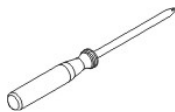


20.

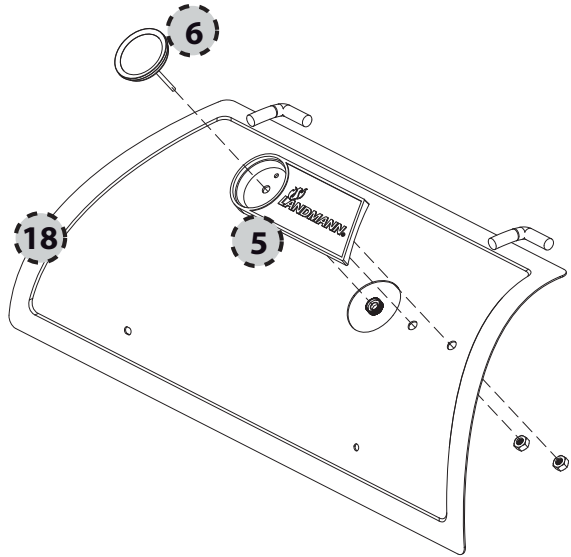
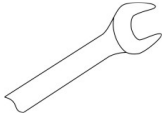
C  M6x12 2x



21.

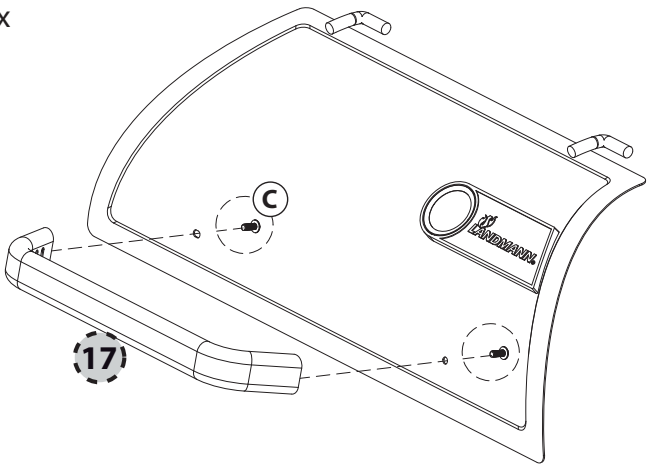


22.

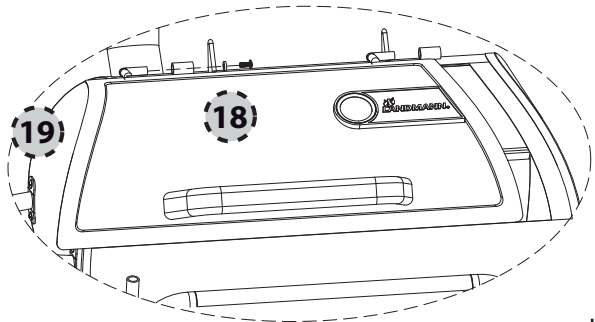
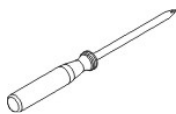


23.

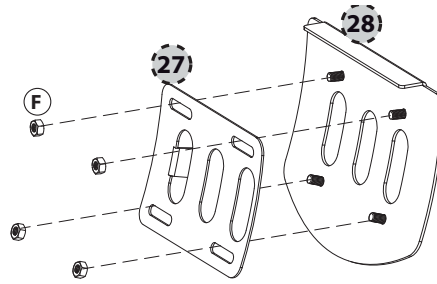
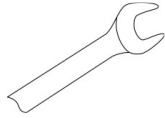
ⓐ  M6x12 2x



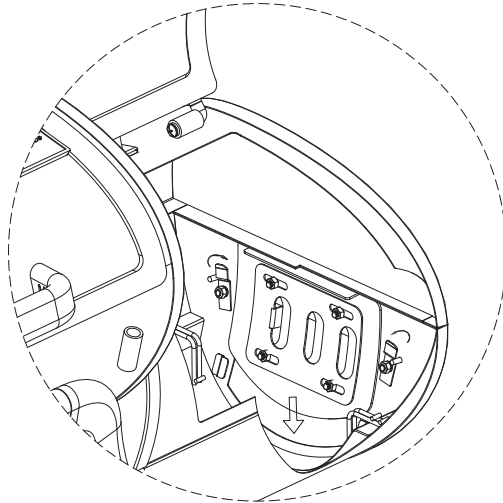
24.



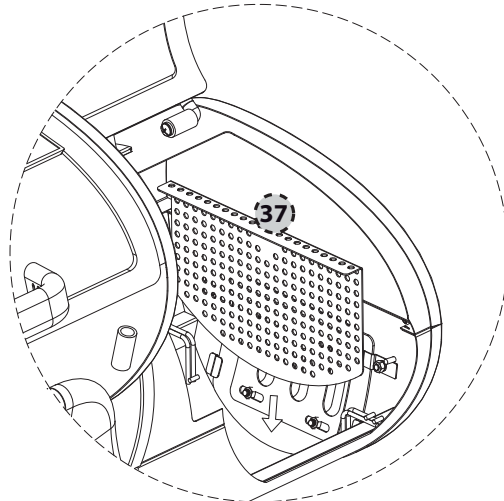
25. (F) M6 4x



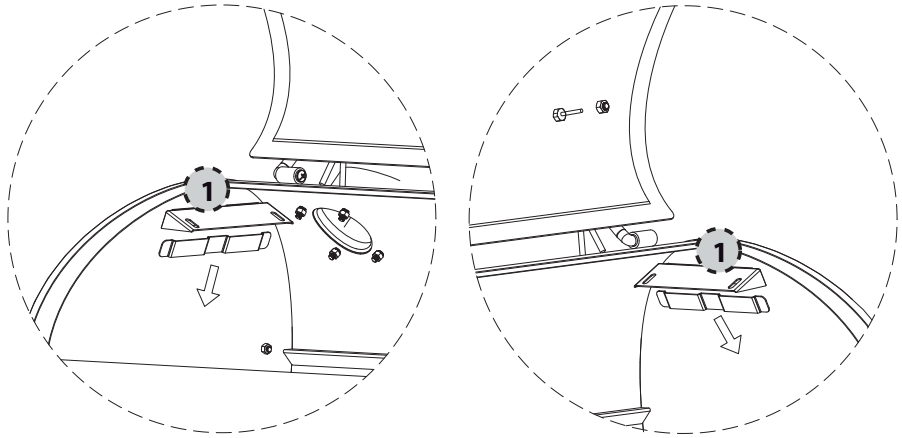
26.



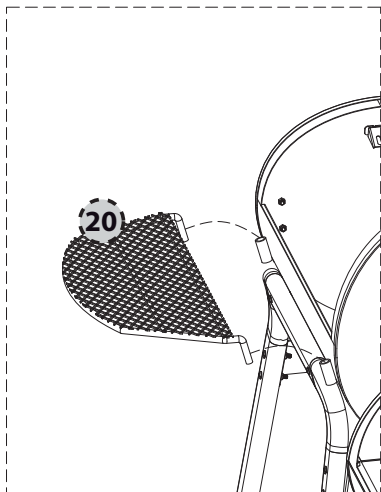
27.



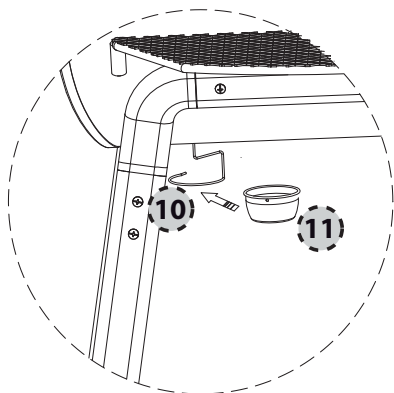
28.



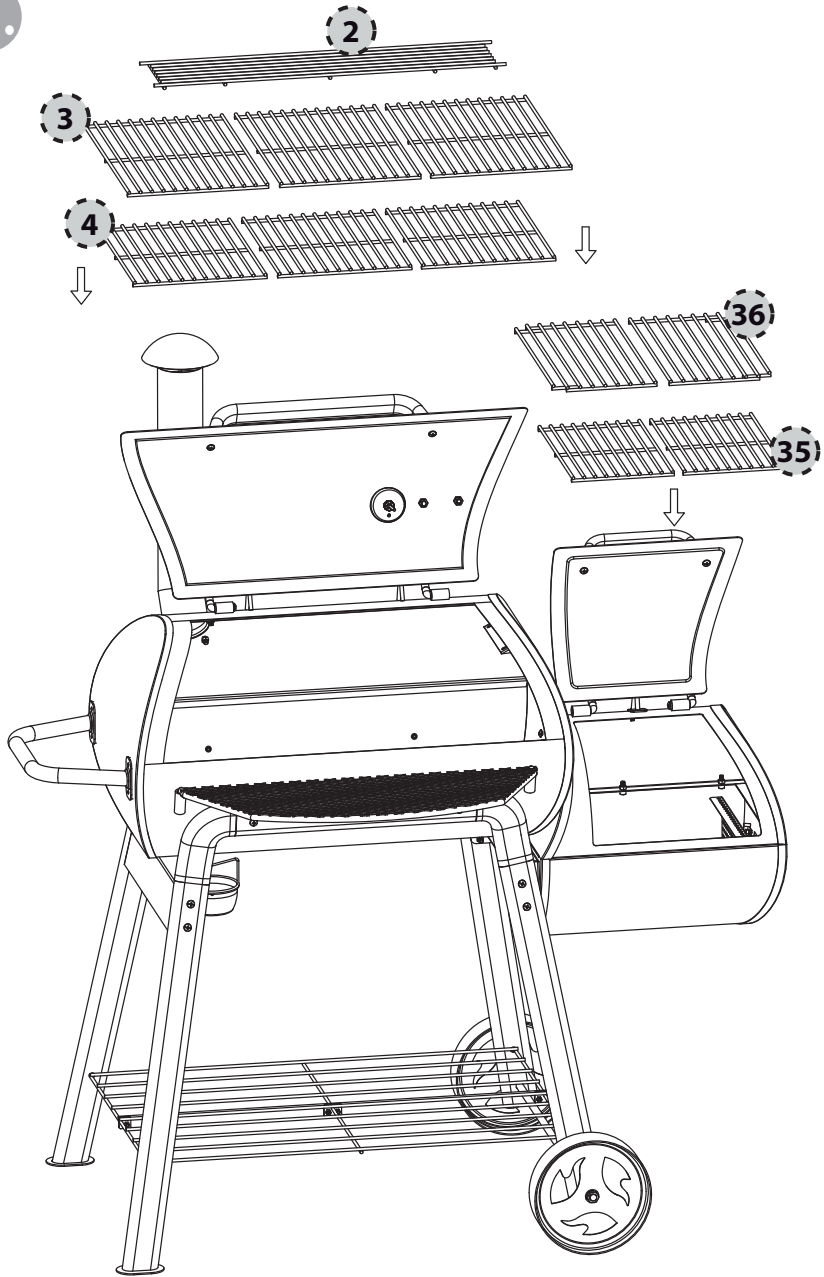
29.

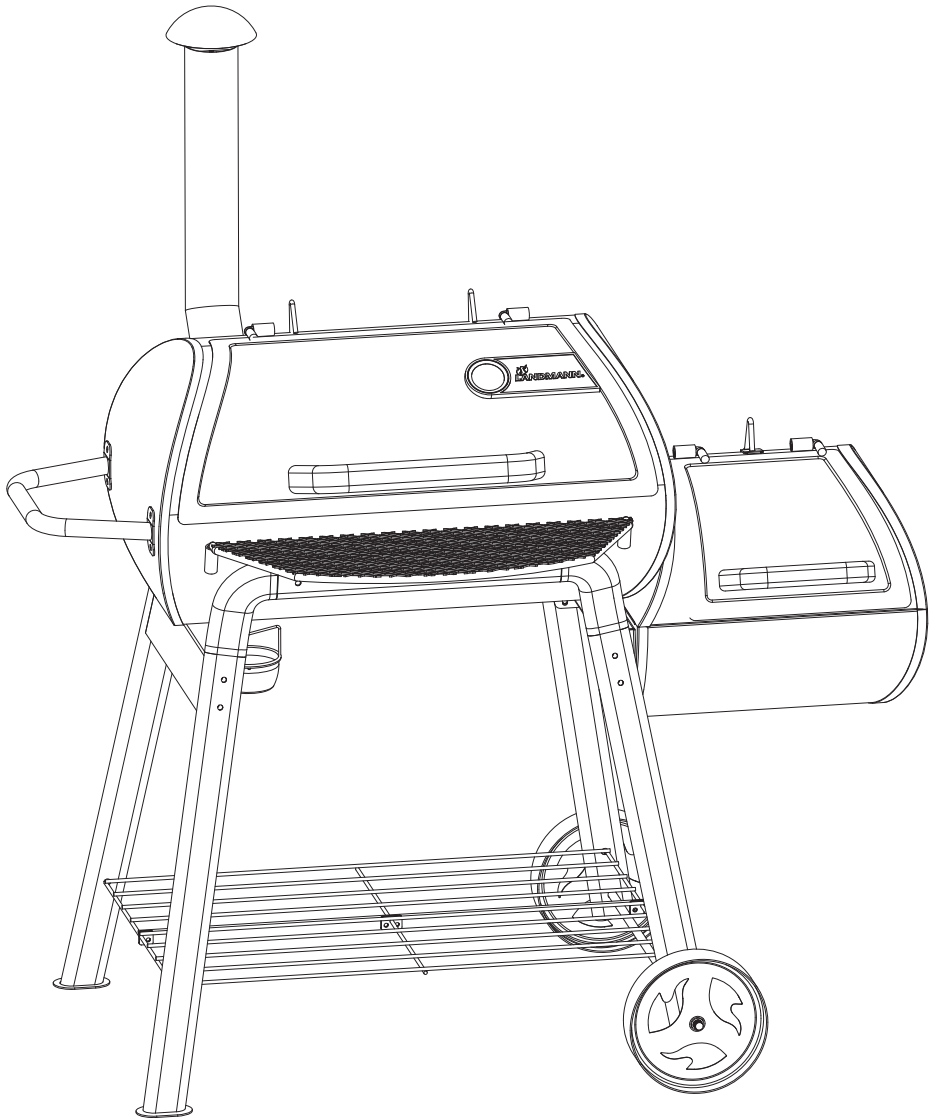


30.



31.







¡IMPORTANTE! PROCESO DE CURADO

Antes del primer uso, realice estos 3 pasos para el curado del acabado y para eliminar el olor a pintura del ahumador.

PASO 1:

Extraiga todas las rejillas de asado. Cierre la compuerta de ventilación y cubra TODA LA SUPERFICIE INTERIOR con aceite vegetal. Puede hacerse pasando un paño empapado en aceite vegetal o con un spray de aceite vegetal. Aplique el aceite en todas las caras interiores de la cámara de cocción y en la caja de incineración aparte del ahumador. No es necesario aplicar aceite en las rejillas de carbón o de cocción para el proceso de curado.

PASO 2:

Inicie el fuego con 500 gramos de carbón en la caja de incineración del ahumador y con 1,5 kg de carbón en la cámara de cocción. No permita NUNCA que el carbón entre en contacto con los laterales. Hay que utilizar carbón para el proceso de curado. No utilice leña ni trozos de madera. Ajuste la ventilación y la compuerta de chimenea a apertura total. Cuando el carbón se haya convertido en ceniza, cierre las compuertas.

PASO 3:

Mantenga el carbón durante 1 hora con las compuertas cerradas todo lo posible. El indicador de temperatura debería estar por encima de los 150 °C, pero sin superar los 230 °C. Tras 1 hora de calor, permita que el ahumador se enfríe del todo por sí solo.

¡IMPORTANTE!

Es muy importante no rascar ni frotar ninguna superficie durante el proceso de curado.

Tras el proceso de curado, el ahumador estará listo para su uso.

Tras el proceso de curado, el ahumador estará listo para su uso.

INSTRUCCIONES DE MANEJO DE LA PARRILLA



Esta parrilla se calienta mucho, posiblemente incluso sus asas. Tenga cuidado al trabajar alrededor de la parrilla. Utilice mitones o guantes al abrir las compuertas o ajustar las ventilaciones o el regulador de chimenea durante el uso.

1. Coloque la cantidad deseada (1,5 kg de carbón) en la rejilla de carbón de la cámara de cocción.
2. No permita que el carbón entre en contacto con los laterales.
3. Ajuste la ventilación y la compuerta de chimenea a apertura total. y mantenga la puerta abierta.
4. Encienda el carbón según las instrucciones del fabricante del carbón
5. Una vez hayan desaparecido las llamas del carbón (unos 10 a 15 minutos), compruebe que el carbón está cubierto de cenizas (color gris) y los olores del producto de encendido han desaparecido.
6. Ajuste el carbón o distribúyalo uniformemente sobre la rejilla si hiciera falta.
7. La temperatura óptima de cocción es de 150 °C a 180 °C. La ventilación y el regulador de chimenea deberán ajustarse más abiertos o cerrados según la temperatura deseada. El tipo de carbón y la climatología afectarán a la temperatura de la barbacoa.
8. Unte con cuidado las superficies de la parrilla de cocción con aceite vegetal para evitar que los alimentos se queden pegados.
9. Añada la carne y los alimentos que desee sobre la parrilla. Cocine los alimentos a su gusto.
10. Añada carbón o madera según haga falta.

OPCIONAL:

Si lo desea, puede añadir virutas de madera al carbón en este momento para dar olor al humo. El humo será más intenso al principio, pero al cabo de un rato se producirá menos humo. La temperatura aumentará cuando se añada la madera por primera vez. Como norma general, necesitará añadir más madera o carbón cuando la temperatura descienda por debajo de los 120 °C. No utilice más de 3 o 4 trozos de madera a la vez. NO PERMITA QUE LOS TROZOS DE MADERA TOQUEN O ENTREN EN CONTACTO CON NINGUNO DE LOS LATERALES DE LA CÁMARA DE COCCIÓN.

INSTRUCCIONES DE MANEJO DE LA CAJA DE COMBUSTIÓN APARTE DEL AHUMADOR



Este ahumador se calienta mucho, posiblemente incluso sus asas. Tenga cuidado al trabajar alrededor del ahumador. Utilice mitones o guantes al abrir las compuertas o ajustar las ventilaciones o el regulador de chimenea durante el uso.

El fuego está en la caja de combustión aparte del ahumador y los alimentos se cocinan en la cámara del ahumador (barril principal). El humo y el calor indirecto pasan por los orificios entre la caja de combustión del ahumador y la cámara del ahumador. Siga estos pasos para cocinar con humo y calor indirecto. Tenga en cuenta que los alimentos necesitan más tiempo (varias horas) para cocinarse con este método. Estas son las instrucciones básicas.

1. Introduzca la cantidad deseada de carbón (1,1 kg) en la rejilla de carbón de la caja de combustión aparte del ahumador y encienda el carbón según las instrucciones de su fabricante. NO PERMITA QUE EL CARBÓN TOQUE LOS PANELES LATERALES.
2. Ajuste la ventilación y la compuerta de chimenea a apertura total. y mantenga la puerta abierta de la caja de combustión del ahumador.
3. Encienda el carbón según las instrucciones del fabricante del carbón
4. Una vez hayan desaparecido las llamas del carbón (unos 10 a 15 minutos), compruebe que el carbón está cubierto de cenizas (color gris) y los olores del producto de encendido han desaparecido.
5. Ajuste el carbón o distribúyalo uniformemente sobre la rejilla si hiciera falta.
6. Ahora añada unos 500 g - 1 kg de virutas de madera al fuego. ¡Atención! Mantenga todas las virutas lejos de los paneles laterales de la caja de combustión. NO PERMITA QUE LA MADERA TOQUE LOS PANELES LATERALES. Los mejores tipos de madera para saborizar y ahumar son pacán, nogal, y mezquite. El humo será más intenso al principio, pero al cabo de un rato se producirá menos humo.
7. Unte con cuidado las superficies de la parrilla de cocción con aceite vegetal para evitar que los alimentos se queden pegados.
8. Cuando la cámara de combustión alcance los 100 - 120 °C, añada la carne y los alimentos que desee sobre la parrilla. Cocine los alimentos a su gusto.
9. Ajuste a su gusto la ventilación y el regulador de la chimenea para controlar la temperatura de la cámara del ahumador.
10. Como norma general, necesitará añadir más madera o carbón cuando la temperatura descienda por debajo de los 100 °C. Entre 500 g y 1 kg de virutas de madera arderán durante 1 hora. Cada medio kilo de carne necesitará alrededor de 1 hora de cocción. Esto son normas generales que variarán según las condiciones reales.

TEMPERATURAS DE LOS ALIMENTOS

SI NO ESTÁ SEGURO DE SI LA COMIDA ESTÁ HECHA, UTILICE ESTA TABLA PARA MEDIR ADECUADAMENTE LAS TEMPERATURAS DE COCCIÓN DE CARNES.

Utilice un termómetro de alta calidad para carnes con sonda para medir la temperatura de la carne. Inserte la sonda en la parte más gruesa de la carne para una medición precisa. El indicador de temperatura de la barbacoa indica la temperatura del aire de la cámara de cocción de la barbacoa, no la temperatura de los alimentos.

Filetes y asados

Poco hecho	145°F (63°C)
Al punto	160°F (71°C)
Muy hecho.....	170°F (77°C)

Bisonte

Poco hecho	145°F (63°C)
Al punto	160°F (71°C)
Muy hecho.....	170°F (77°C)

Cordero:

Poco hecho	145°F (63°C)
Al punto	160°F (71°C)
Muy hecho.....	170°F (77°C)

Carnes picadas:

Ternera, cerdo.....	160°F (71°C)
Pavo	165°F (74°C)

Cerdo:

Al punto	160°F (71°C)
Muy hecho.....	165°F (74°C)

Aves:

Pollo	165°F (74°C)
Pavo	165°F (74°C)

Pescado	145°F (63°C)
----------------------	--------------

Huevos	160°F (71°C)
---------------------	--------------

Si tiene cualquier pregunta, consulte la información de contacto de USDA más abajo.

Hotline para carne y pollo USDA
1-888-674-6854
TTY: 1-800-256-7072
www.IsItDoneYet.gov



¡AVISO!

NO UTILICE NUNCA GASOLINA,
ALCOHOL O FLUIDOS VOLÁTILES
PARA INICIAR O REINICIAR EL FUEGO.



¡HOT!

¡AVISO!

¡SUPERFICIES CALIENTES DURANTE
EL USO! UTILICE MITONES O
GUANTES EN ESTAS PIEZAS

DISPONIBILIDAD DE ACCESORIOS



CUBIERTA

MODELO 15726

Esta cubierta de alta calidad protege el
aparato de los elementos.

Visite nuestra web en:
www.landmann-usa.com

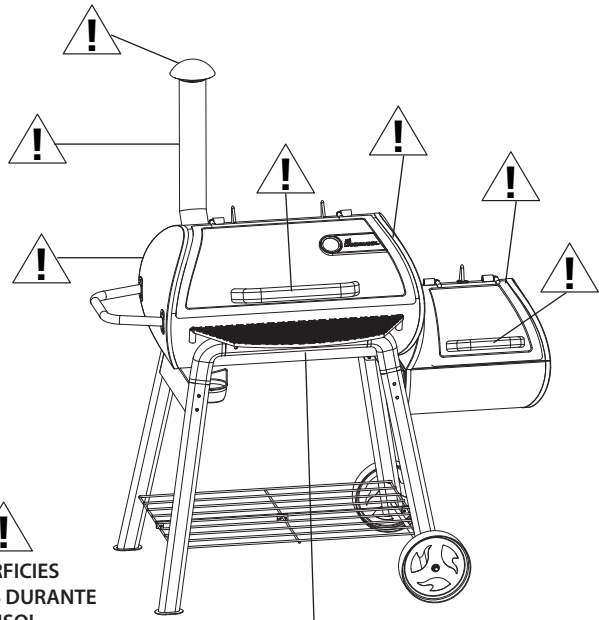
- 0 -

Llame gratis al servicio técnico al:
1-800-321-3473

¡Muchas felicidades por su compra del
barril de ahumado de alta capacidad!
En Landmann USA, nos esforzamos
por proporcionarle un producto fácil de
utilizar y de montar. No obstante, en el
poco probable caso de que su producto
contuviera alguna pieza defectuosa o
faltara algo, contáctenos en:
customerservice@landmann-usa.com
- 0 -
1-877-347-4557 M-F 8-5 ET.
Puede que necesita el comprobante de
compra.
¡Muchas gracias!

Landmann USA, Inc.
7405 Graham Rd, Fairburn, Ga 302130
www.landmann-usa.com

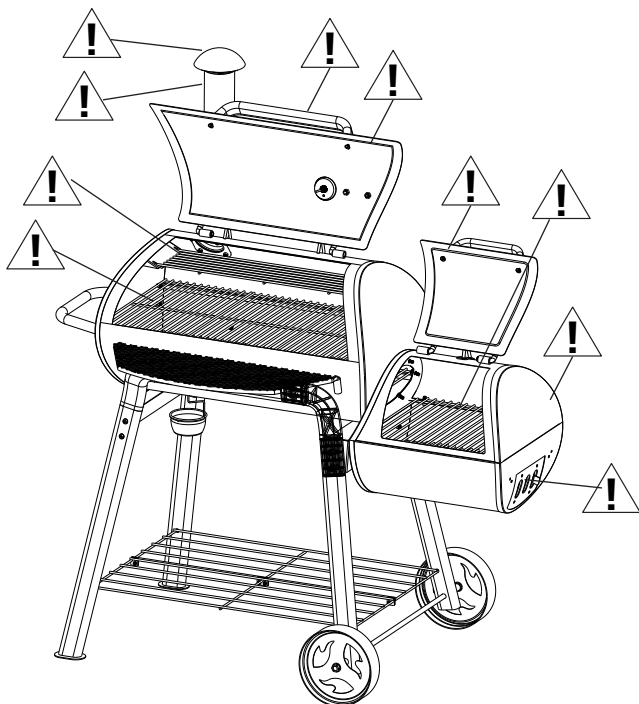
Made in China



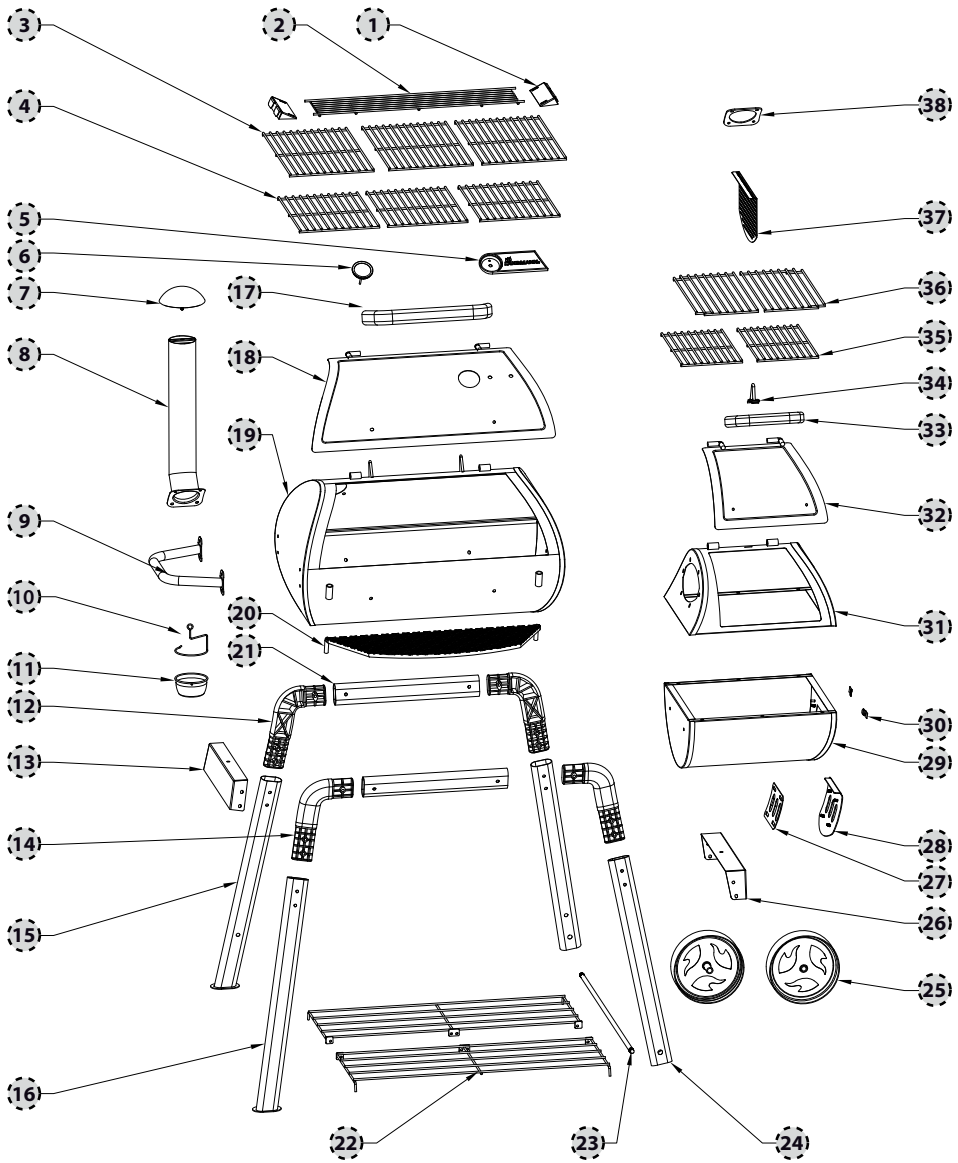
**¡SUPERFICIES
CALIENTES DURANTE
EL USO!
LAS ASAS SE
CALIENTAN BASTANTE
CON EL USO
EXTENDIDO.**



**LA BANDEJA PUEDE CALENTARSE MUCHO
DURANTE EL USO.**



Piezas de repuesto



Pieza	Descripción	Cantidad	Pieza #
1	Soporte de bandeja de conservación de calor	2	VN0001
2	bandeja de conservación de calor	1	VN0002
3	Rejilla principal de cocción	3	VN0003
4	Rejilla de carbón principal	3	VN0004
5	Placa de logotipo	1	VN0005
6	Medidor de temperatura	1	VN0006
7	Sombbrero de chimenea	1	VN0007
8	Chimenea	1	VN0008
9	Asa lateral	1	VN0009
10	Soporte bandeja recoge grasas	1	VN0010
11	Bandeja recoge grasas	1	VN0011
12	Juego de patas LR/RF	2	VN0012
13	Refuerzo izquierdo	1	VN0013
14	Juego de patas LF/RR	2	VN0014
15	Pata izquierda trasera	1	VN0015
16	Pata izquierda delantera	1	VN0016
17	Asa de cubierta de barbacoa	1	VN0017
18	Tapa de parrilla	1	VN0018
19	Caja de combustión	1	VN0019
20	Bandeja frontal	1	VN0020
21	Pata central	2	VN0021
22	Panel base carrito	2	VN0022
23	Eje	1	VN0023
24	Para derecha	2	VN0024
25	Rueda	2	VN0025
26	Refuerzo derecho	1	VN0026
27	Rejilla ventilación de caja de ahumador	1	VN0027
28	Ventilación de caja de ahumador	1	VN0028
29	Parte inferior caja de ahumador	1	VN0029
30	Soporte ventilación de caja de ahumador	2	VN0030
31	Parte superior de caja de ahumador	1	VN0031
32	Tapa de caja de ahumador	1	VN0032
33	Asa de la tapa de caja de ahumador	1	VN0033
34	Topo de la tapa de caja de ahumador	1	VN0034
35	Rejilla de carbón de la caja de ahumador	2	VN0035

Pieza	Descripción	Cantidad	Pieza #
36	Rejilla de cocción de caja de ahumador	2	VN0036
37	Escudo de ceniza de caja de ahumador	1	VN0037
38	Manguito de chimenea	1	VN0038
Piezas no mostradas			
	Manual de instrucciones	1	VN0039
	Paquete de hardware	1	VN0040



GARANTÍA LIMITADA

Landmann USA ("Landmann") garantiza este producto libre de defectos en material y mano de obra al comprador original durante 2 años para todas sus piezas. Esta garantía limitada es exclusiva para el cliente original que presente comprobante de compra. Esta garantía se limita a uso residencial y no comercial. Todos los productos devueltos deben enviarse con portes pagados.

La garantía no cubre el desgaste normal de piezas o daños resultantes de cualquiera de estos casos: negligencia, abuso, mal uso, alteración, instalación inadecuada, mantenimiento incorrecto o incumplimiento del mantenimiento normal, así como cualquier uso contrario al indicado en el manual de instrucciones. Además, Landmann no garantiza de forma alguna el acabado del producto ni daños en la cubierta o deterioros debidos a condiciones atmosféricas adversas o por exposición a productos químicos. La garantía no cubre arañazos, óxido o daños por calor, ya que se consideran desgaste normal. Esta garantía excluye la responsabilidad por cualquier daños indirecto, consecuencial o pérdida de propiedad de cualquier tipo.

No devuelva el producto ni ninguna pieza a la tienda o al fabricante sin la previa autorización.

Contacte con la atención al cliente en: 1-877-3GRILLS (1-877-347-4557) o en grills@landmann-usa.com. Todo producto o pieza devuelto debe enviarse con los portes pagados.

Esta garantía se limita a uso residencial y no comercial.

El único derecho que le confiere esta garantía es la reparación o sustitución del producto Landmann no será responsable de ningún incidente o daño derivado ni de ningún incumplimiento de cualquier garantía explícita o implícita de este producto o cualquier parte del mismo excepto en la medida en que la ley lo prohíba. Algunos estados no permiten la exclusión o limitación de incidentes o daños derivados o limitaciones en cuanto a la duración de una garantía implícita, por lo que puede que las limitaciones o exclusiones no se le puedan aplicar a usted. Esta garantía le otorga derechos legales específicos y usted también puede tener otros derechos legales que pueden variar de un estado a otro.