

Freestanding Dishwasher

ARTUSI
THE ART OF LIVING

MODEL ADW5008

AVAILABLE IN STAINLESS STEEL AND GLOSS WHITE



MADE
IN EUROPE



24 MONTH
WARRANTY



60CM



15
PLACE
SETTINGS



8 WASH
PROGRAMS



ECO
WASH



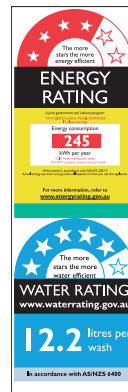
DELAY
TIMER



LOW
NOISE



10AMP POWER
CONNECTION



White
Variant
is also
available

Product Information

COLOUR

- stainless Steel (ADW5008X)
- gloss white (ADW5008W)

INSTALLATION STYLE

- built-in & freestanding

CAPACITY

- 15 place setting (2 baskets + 3rd layer cutlery tray)

FEATURES

- electronic button control panel
- delay timer option- (1 through to 19hr)
- 3 metal filters: Main, Coarse & Micro
- stainless Steel cavity
- hidden heating element
- electrical divertor system
- rinse aid indicator
- turbidity sensor (smart wash)
- temperatures (°C)- Auto-30°-40°-50°-60°-65°
- LED display
- circulation pump- BLDC
- adjustable upper basket when empty
- adjustable mug shelves
- wine glass holder on lower basket
- foldable racks on lower basket (4)

- noise Level (dB(A)- 44
- tablet option
- end of cycle indicator (beep)

PROGRAMS

- 8 wash programs- Mini 14', Quick 30' 40°, Eco, Super 50' 65°, Dual Pro Wash, Smart 30°-50°, Smart 50°-60°, smart 60°-70°
- self clean option
- extra Hygiene option
- extra Silent option
- extra Fast option
- extra Dry
- energy Save option
- delay start

SAFETY

- overflow & leakage protection
- heater protection
- stoper on lower basket
- child lock

TECHNICAL

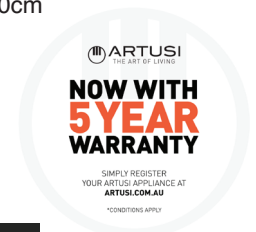
- power cord: 180cm
- water inlet hose(with aqua stop) 170cm
- water outlet hose: 180cm
- stand by power: 0.75W

ADW5008X EAN 9347777005069
ADW5008W EAN TBC

AR15012025

DISCLAIMER

Eurolinx & Worldwide appliances Pty Ltd, is continually seeking ways to improve the design specifications, aesthetics and production techniques of its products. As a result alterations to our products and designs take place continually. Whilst every effort is made to produce information and literature that is up to date, this brochure should not be regarded as an infallible guide to the current specifications, nor does it constitute an offer for the sale of any particular product. Product dimensions indicated in our literature is indicative only. Actual product only should be used to define dimension cut outs. Distributors, and retailers are not agents of Eurolinx or Worldwide appliances and are not authorised to bind Eurolinx or Worldwide appliances by any express or implied undertaking or representation.



Australia National Telephone Number 1300 694 583
For showroom opening times, visit our website

artusi.com.au

NSW & ACT (Head Office)
48-50 Moore Street
Leichhardt
F 02 8569 4699

Victoria
2r/131 Church Street
Hawthorn

QLD
Contact Head Office

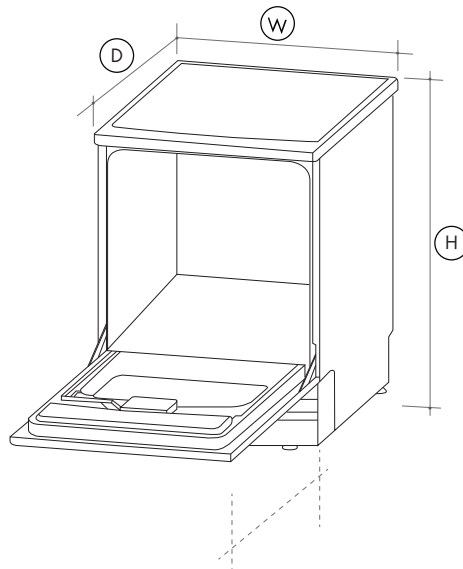
WA & NT
Contact Head Office

Freestanding Dishwasher

MODEL ADW5008

AVAILABLE IN STAINLESS STEEL AND GLOSS WHITE

TECHNICAL DIAGRAM



ADW5008 Built-in Dishwasher
Weight: 46kg
Power cord 180cm
10 AMP plug & lead
Total power: 1900W

NB: drawings are not to scale — for detailed installation instructions, please refer to user guide.

ADW5008X EAN 9347777005069
ADW5008W EAN TBC

AR15012025

DISCLAIMER

Eurolinx & Worldwide appliances pty Ltd, is continually seeking ways to improve the design specifications, aesthetics and production techniques of its products. As a result alterations to our products and designs take place continually. Whilst every effort is made to produce information and literature that is up to date, this brochure should not be regarded as an infallible guide to the current specifications, nor does it constitute an offer for the sale of any particular product. Product dimensions indicated in our literature is indicative only. Actual product only should be used to define dimension cut outs. Distributors, and retailers are not agents of Eurolinx or Worldwide appliances and are not authorised to bind Eurolinx or Worldwide appliances by any express or implied undertaking or representation.

Australia National Telephone Number 1300 694 583
For showroom opening times, visit our website

artusi.com.au

NSW & ACT (Head Office)
48-50 Moore Street
Leichhardt
F 02 8569 4699

Victoria
2r/131 Church Street
Hawthorn

QLD
Contact Head Office

WA & NT
Contact Head Office