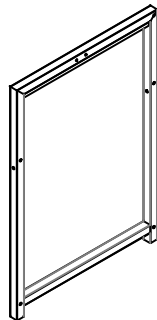
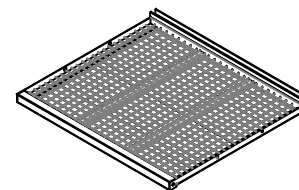


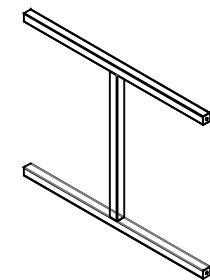
01-L Left Frame



02-R Right Frame



03 Mesh Frame



04 Bottom Frame



4" (4 pieces)

A 4 "universal wheel with brake



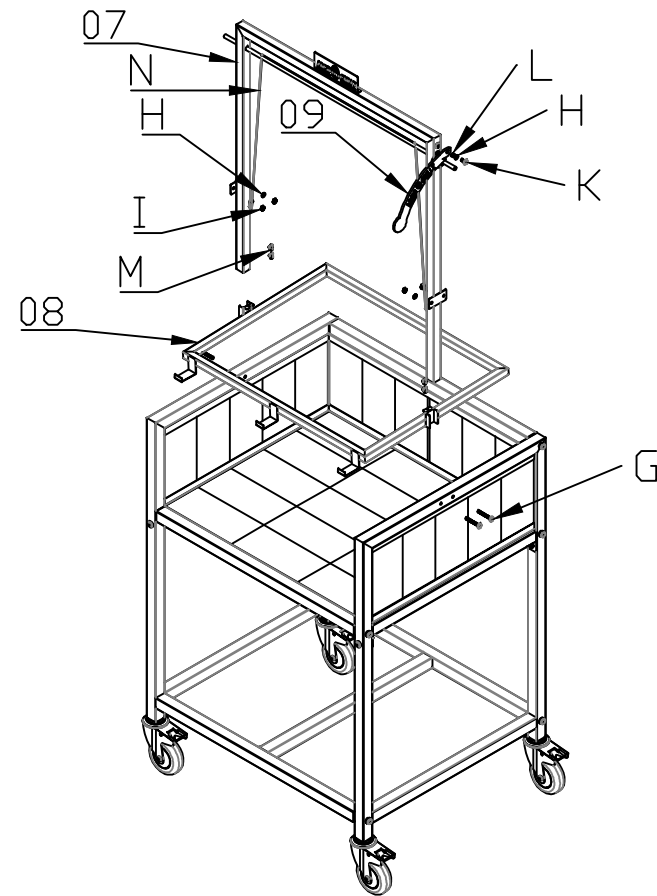
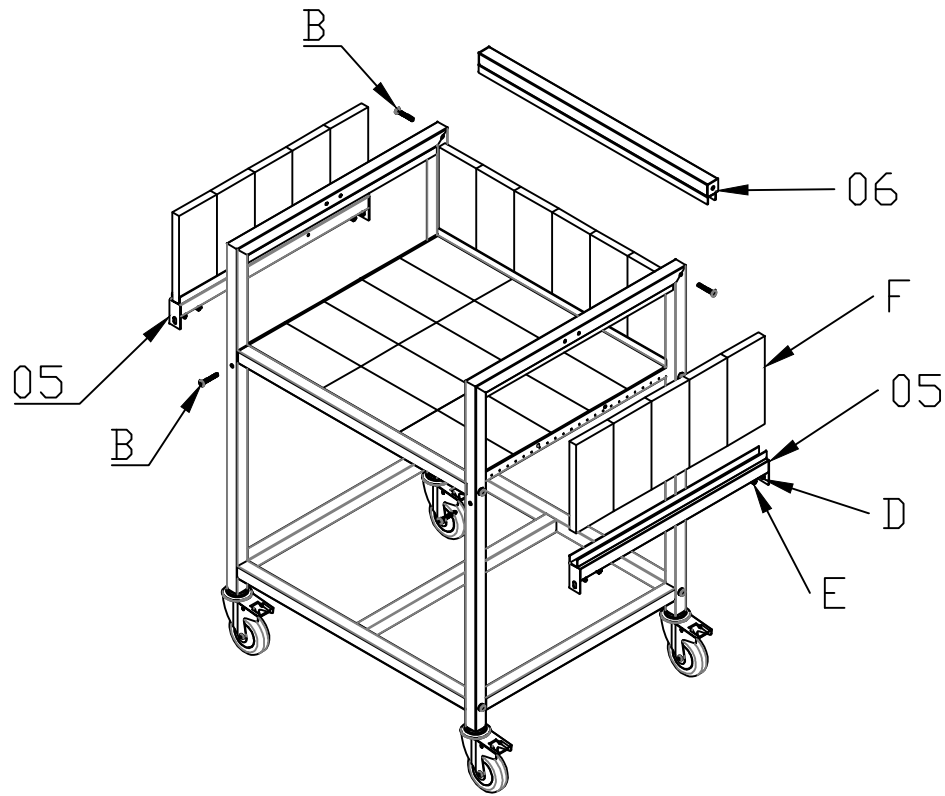
M8 x 45 (8 pieces)

B M8 hexagon socket flat head screw

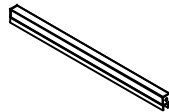


M6 x 12 (4 pieces)

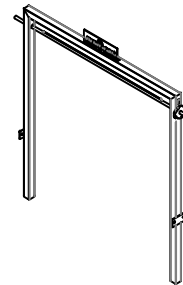
C M6 countersunk head screw



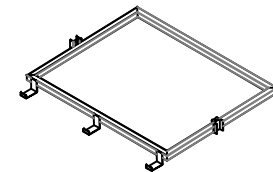
05 Frame Rail



06 Back Rail



07 Grill Arch



08 Grill Frame



M8 x 45 (6 pieces)

B M8 hexagon socket flat head screw



M8 x 1.5 (4 pieces)

D M8 Washer



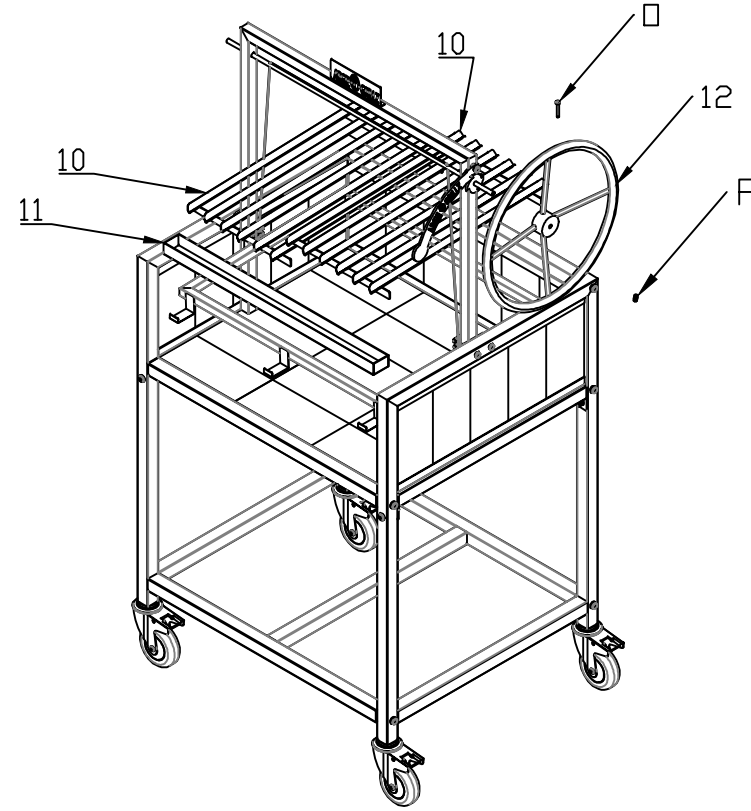
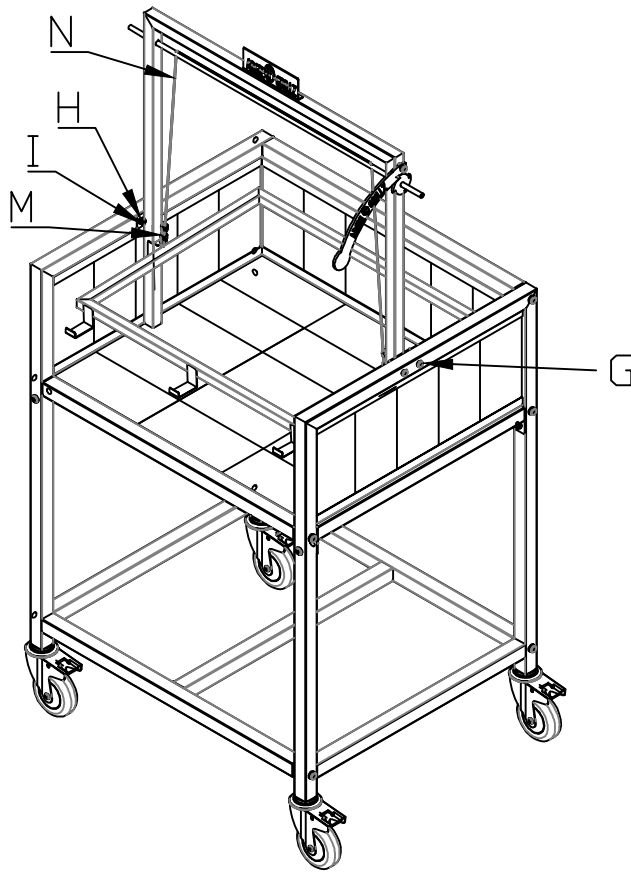
M8 (4 pieces)


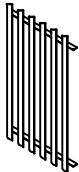











E M8 nut



230 x 114 x 20 (32 pieces)

F Refractory Brick



	 (2 pieces)			 M5x25(1 pieces) O M5 hexagon socket flat head screw	 M5x12(1 pieces) P M5 headless screw	
09 Lock	10 V - Grill	11 Drip Tray	12 Round Wheel Handle			
 M6 x 45 (4 pieces) G M6 hexagon socket flat head screw	 M6x1.5(5 pieces) H M6 Washer	 M6(4 pieces) I M6 nut	 M6 x 16 (1 pieces) K M6 hexagon socket flat head screw	 ø9.5x6.5(1 pieces) L Cylinder Washer	 (4 pieces) M Wire rope clamp	 ø2.0(1 pieces) N Stainless steel wire