

BUILT-IN MICROWAVE

MODEL AMO25TK/1



24 MONTH WARRANTY



60CM



5 POWER LEVELS



APPROVED FOR UNDER-BENCH INSTALLATION



25L OVEN CAPACITY



CHILD LOCK



10AMP POWER CONNECTION

PRODUCT INFORMATION

FINISH

- stainless steel

FEATURES

- Designed and approved for underbench installation
- microwave oven with integrated trimkit
- Easi-tronic fully built-in
- 5 power settings: 10%, 30%, 50%, 70% & 100%
- 60-minutes digital timer
- push handle door
- end-cooking signal
- LED display

CAPACITY & INTERIOR

- 25-litres
- stainless steel interior

SAFETY

- child safety lock

FUNCTIONS

- 6 Auto menu settings
- slow cooking options
- defrost & defrost by weight setting
- pause / start
- 800W power

ACCESSORIES

- turntable
- grill rack

WEIGHT

- 15 kgs



EAN TBC

AR14112022

DISCLAIMER

Eurolinx PTY LTD, is continually seeking ways to improve the design specifications, aesthetics and production techniques of its products. As a result alterations to our products and designs take place continually. Whilst every effort is made to produce information and literature that is up to date, this brochure should not be regarded as an infallible guide to the current specifications, nor does it constitute an offer for the sale of any particular product. Product dimensions indicated in our literature is indicative only. Actual product only should be used to define dimension cut outs. Distributors, and retailers are not agents of Eurolinx and are not authorized to bind Eurolinx by any express or implied undertaking or representation.

FOLLOW US ON:  [.artusi_kitchen_laundry_outdoor](https://www.instagram.com/artusi_kitchen_laundry_outdoor)

Australia National Telephone Number 1300 MYILVE (694 583) New Zealand Telephone Number 0508 458 369
ILVE showrooms are open daily from 9am-5pm and Saturdays 10am-4pm

artusi.com.au

NSW & ACT (Head Office)
48-50 Moore Street
Leichhardt
F 02 8569 4699

Victoria
2r/131 Church Street
Hawthorn

QLD
1/42 Cavendish Road
Coorparoo

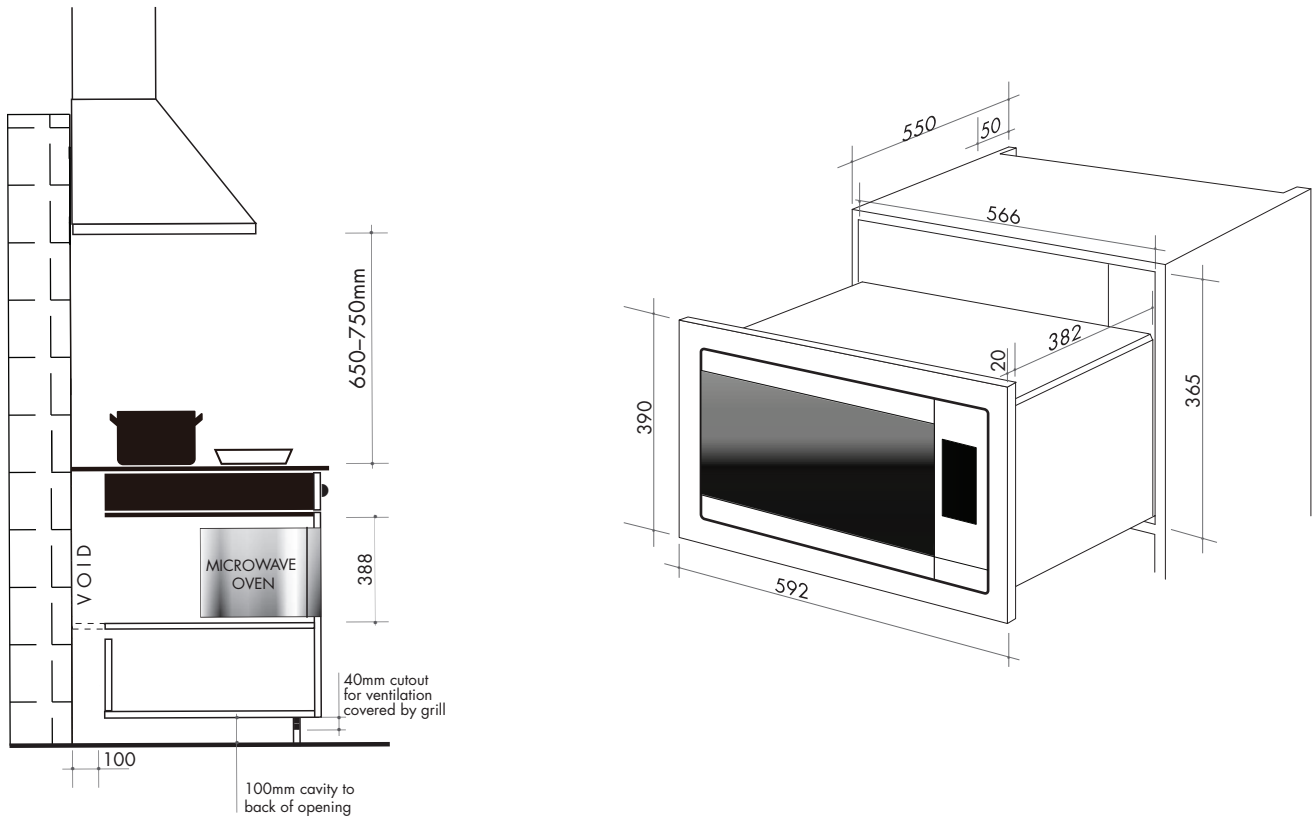
WA & NT
Unit 10/55 Howe Street
Osborne Park

New Zealand
PO Box 11.160
Sockburn Christchurch

BUILT-IN MICROWAVE

MODEL AMO25TK/1

TECHNICAL DIAGRAM



NB: drawings are not to scale — they are to be used for detailed installation instructions, please refer to user guide.

EAN TBC

AR14112022

DISCLAIMER

Eurolinx PTY LTD, is continually seeking ways to improve the design specifications, aesthetics and production techniques of its products. As a result alterations to our products and designs take place continually. Whilst every effort is made to produce information and literature that is up to date, this brochure should not be regarded as an infallible guide to the current specifications, nor does it constitute an offer for the sale of any particular product. Product dimensions indicated in our literature is indicative only. Actual product only should be used to define dimension cut outs. Distributors, and retailers are not agents of Eurolinx and are not authorized to bind Eurolinx by any express or implied undertaking or representation.

AMO25TK/1 Built-in Microwave

592W x 390H x 382D (incl. trimmkit frame: 20mm thick)

CUTOUT: 566W x 365H x 494D

10 Amp GPO, 3-pin plug and cord

FOLLOW US ON:  [.artusi_kitchen_laundry_outdoor](https://www.instagram.com/artusi_kitchen_laundry_outdoor)

Australia National Telephone Number 1300 MYILVE (694 583) New Zealand Telephone Number 0508 458 369
ILVE showrooms are open daily from 9am-5pm and Saturdays 10am-4pm

artusi.com.au

NSW & ACT (Head Office)
48-50 Moore Street
Leichhardt
F 02 8569 4699

Victoria
2r/131 Church Street
Hawthorn

QLD
1/42 Cavendish Road
Coorparoo

WA & NT
Unit 10/55 Howe Street
Osborne Park

New Zealand
PO Box 11.160
Sockburn Christchurch