



CONDOR

RANGEHOODS

INSTALLATION
INSTRUCTIONS



*Boston Rangehood
Photo courtesy of TMA Kitchen Design*

Important Information	4
Instructions for Models BCM / EYR / BAL	6
Instructions for Models FAL / AUS / MIL	13
Instructions for Models TAN	17
Remote Switching Specifications	20
Ducting Pieces	22
Operation Details, Rangehood Cleaning, Filter Cleaning	24
Guarantee & Exclusions	25
Warranty	27

IMPORTANT INFORMATION

CONDARI PTY LTD makes over 120 different models of QASAIR and CONDOR Rangehoods plus many specials designed by architects and interior designers.

It is important to follow the installation instructions for each model.

The following is general advice for the installation of CONDOR Rangehoods.

Gas regulations require different heights for different brands of hoods. CONDOR hoods can be fitted between 1200 mm to 1400 mm above the barbecue. This is due to the fact they do not have plastic motors.

1. The installation of CONDOR Rangehoods must comply with the information in this booklet. CONDOR Rangehoods are designed and made to work efficiently over all domestic barbecues available on the Australian market.
2. Every CONDOR Rangehood must be ducted to the outside atmosphere by the use of zinc-alume duct or non-porous and non-flammable materials. **We do not recommend the use of any type of flexible ducting or plastic PVC piping (barbecue heat output will affect flexible ducting and cause it to desintegrate).** Rangehoods must not be vented into a wall cavity or a ceiling space. This prevents a build up of grease, which can be a fire risk. Ensure the external outlet vent does not restrict the airflow in any way, as this may result in reduced performance.
3. CONDOR Rangehoods must be ducted in duct work equivalent to the outlet of the rangehood ie: The cross sectional area of the rangehood outlet and the duct work must be equal. Do not reduce the duct size or have sharp bends. Enlarge the duct size if the duct is to run 6 metres or longer. Advice from CONDOR is available to ensure optimum performance. Always use nonflammable materials to minimise the risk of fire in the duct at a later date.
4. Ensure all ducting pieces are correctly fitted and sealed with either duct tape or silicone to ensure that fumes do not escape into the ceiling space and seep into living areas through vents or light fittings. The installation and fitting of the rangehood should be done in such a way that will allow the unit to be removed if service is required. Additional costs incurred in the removal of wall tiles, damage to walls or bench tops are not covered by warranty.
5. Always adequately ventilate the room when the rangehood is in use at the same time as appliances burning gas or other fuels.
6. **WARNING:** Incorrect venting will result in additional noise and a reduction in efficiency. Exhaust air must not be discharged into any chimney or flue, which may carry combustible products from other sources.
 - a) Do not discharge the air-flow from the rangehood into a flue used for exhausting fumes from burning gas or fuel;
 - b) A reduction in ducting size will result in the motors eventually failing and will need replacement.
 - c) For cleaning purposes please refer to page 27 of installation instructions for stainless steel;
 - d) If cleaning is not carried out in accordance with the instructions as listed on page 27, you may have an increased risk of fire;
 - e) Accessible parts of the rangehood may become hot when used with cooking appliances;
 - f) This appliance is not intended for use by persons (including children) with reduced physical, sensory or mental capabilities, or lack of experience and knowledge, unless they have been given supervision or instruction concerning use of the appliance by a person responsible for their safety.

7. If the supply cord is damaged, an authorised service centre or licensed electrician must replace it.
8. **NOTE:** CONDARI recommend minimum air movement of 2000 cubic metres per hour and recommend up to 2700 cubic metres per hour over a barbecue, depending on the length of the duct run. Barbecues should be positioned under the centre of the hood where the fans are mounted and not near the outer edges where leakage may occur. Please also note barbecue lid position, as if it does not open to a 90 degree angle the smoke and by-products can be diverted forward and away from the rangehood catchment area.
9. The lights in the rangehoods are LED.
10. To reduce the risk of fixing screws coming in contact with live parts, do not drill or screw into the rangehood. Live wires are encapsulated where possible to prevent user contact. If necessary drill from the inside out and only through single sheet material.
11. CONDARI can manufacture rangehoods to be used over commercial cookers in domestic applications.

NOTE: Installation must comply with local State & Council regulations.

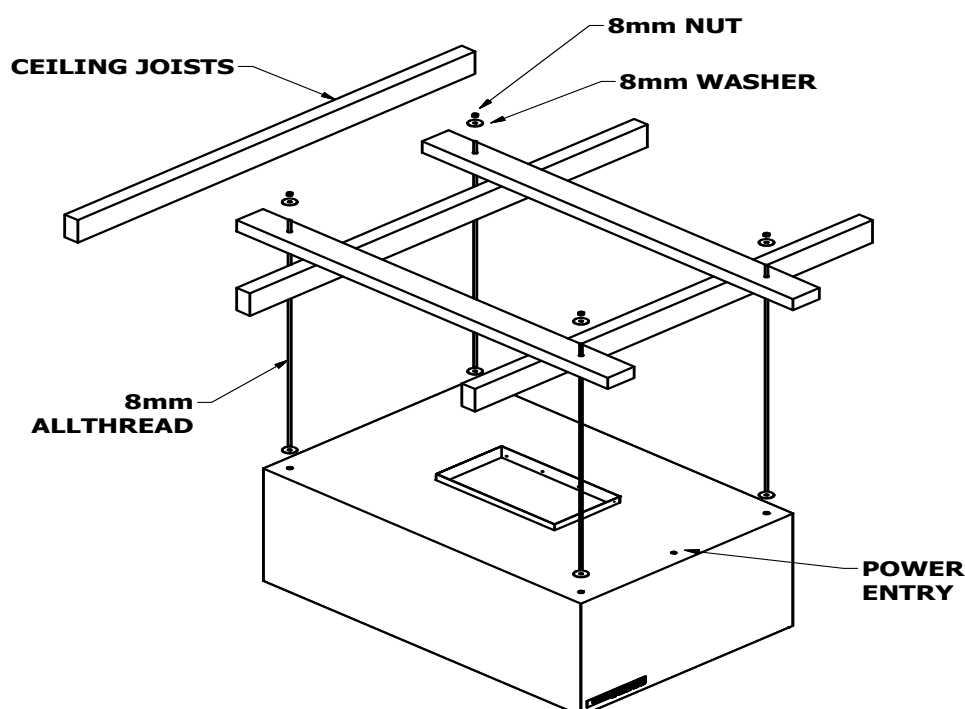
INSTALLATION INSTRUCTIONS CONDOR RANGE


To suit island models:

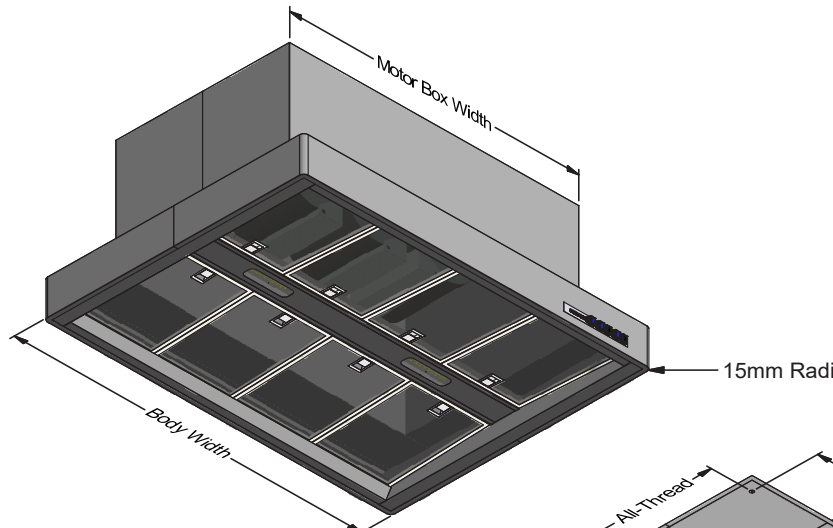
- **Falcon**
- **Millington (Island)**
- **Austin (Undercupboard)**

It is recommended that the rangehood be mounted 100mm back from the edge of the benchtop.

1. The rangehood can be installed between 1200mm and 1400mm above the cooking surface. The installer should check for state and local regulations in case additional requirements may apply.
2. It is advisable to remove fans for easier handling of unit by removing retaining bolts or clips and unplugging electrical connector.
3. Measure hole centres and duct size on top of the rangehood. This will vary with the hood size, model and number of fans fitted and will determine the ducting required.
4. Using a plumb line, mark the ceiling before making the cut out. Check for obstructions like electrical cables etc.
5. Ensure roof structure has the strength to support the weight of Rangehood. Fit 8mm all thread (threaded rod) to roof structure 4 places.
6. Guide allthread through top of Rangehood and lift into position, bringing power cable into hood during this process.. Take care when lifting ranghood into position and ensure you have enough people to lift safely. It is advisable to use props or portable stands when attaching the Rangehood hood to the ceiling.
7. In the rangehood install washers and nuts to secure the Ranghood. Level Rangehood by tensioning the 8mm nuts, do not over tighten.
8. Refit fans if they have been removed and the electrical connection can now be made by a licensed electrician to the junction box inside bottom right side of Rangehood.
9. Extend ducting through to exterior and fit roof cowl or wall vent. making sure to seal roof penetration with preferred flashing material, consult your plumber for the best product to suit.



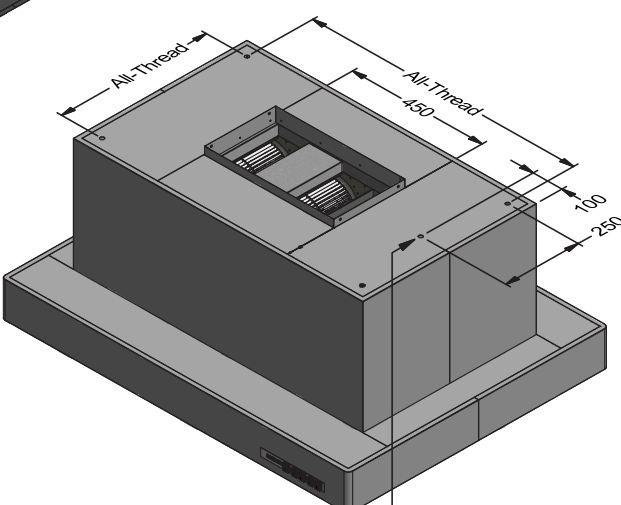
	Falcon Technical Specification Sheet	
	FAL	Ceiling Mounted



Motor Box Width

Body Width

15mm Radius

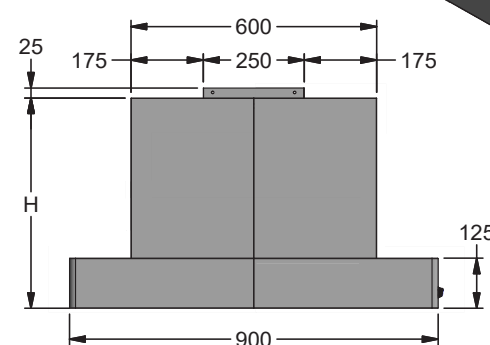


All-Thread 450

All-Thread 100

250

Power entry location is the same for all FAL models.



25

175

600

250

175


H

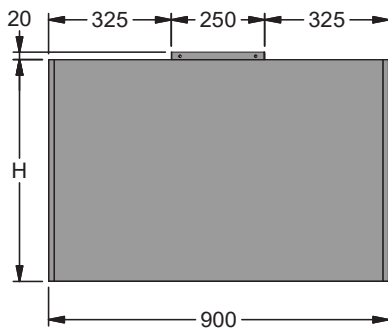
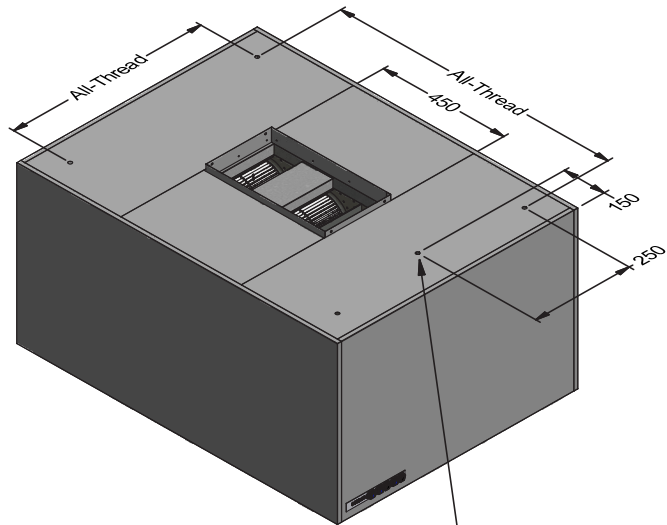
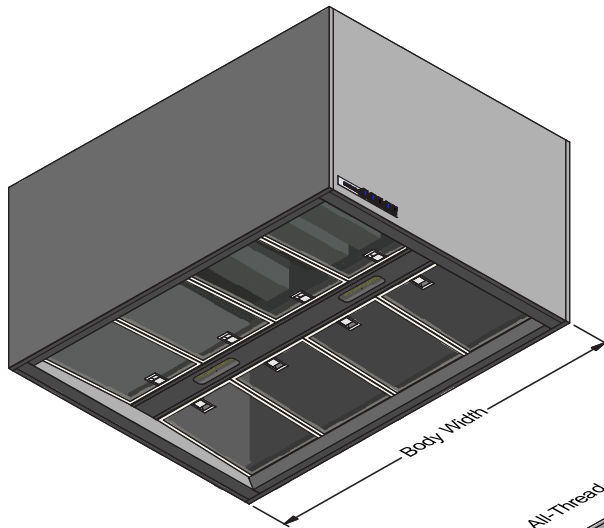
125

900

FALCON model is made to order at the required height.

Model	FAL 1200L-3	FAL 1500L-3	Model	FAL 1200L-3	FAL 1500L-3
Body Width	1200mm	1500mm	Filter Size	272mm x 355mm	272mm x 355mm
Motor Box / Flue Width	1000mm	1300mm	Conversion Top/Back Back/Top	NO	NO
Motor Qty	3	3	Electrical Connection	10 Amp Lead	10 Amp Lead
LED Light	Cool or Warm	Cool or Warm	Minimum Height (H =)	480mm	480mm
Nightlight	NO	NO	Maximum Height (H =)	1275mm	1275mm
Light Qty	2	3	PowderKote® Available	N/A	N/A
Light Centres	545mm	409mm	All-thread Fixing Centres	900mm x 500mm	1200mm x 500mm
Filter Qty	8	10	Corner Type	Round	Round
			Condari Pty Ltd.	Version: C 30/10/2018F Page 1 of 1	


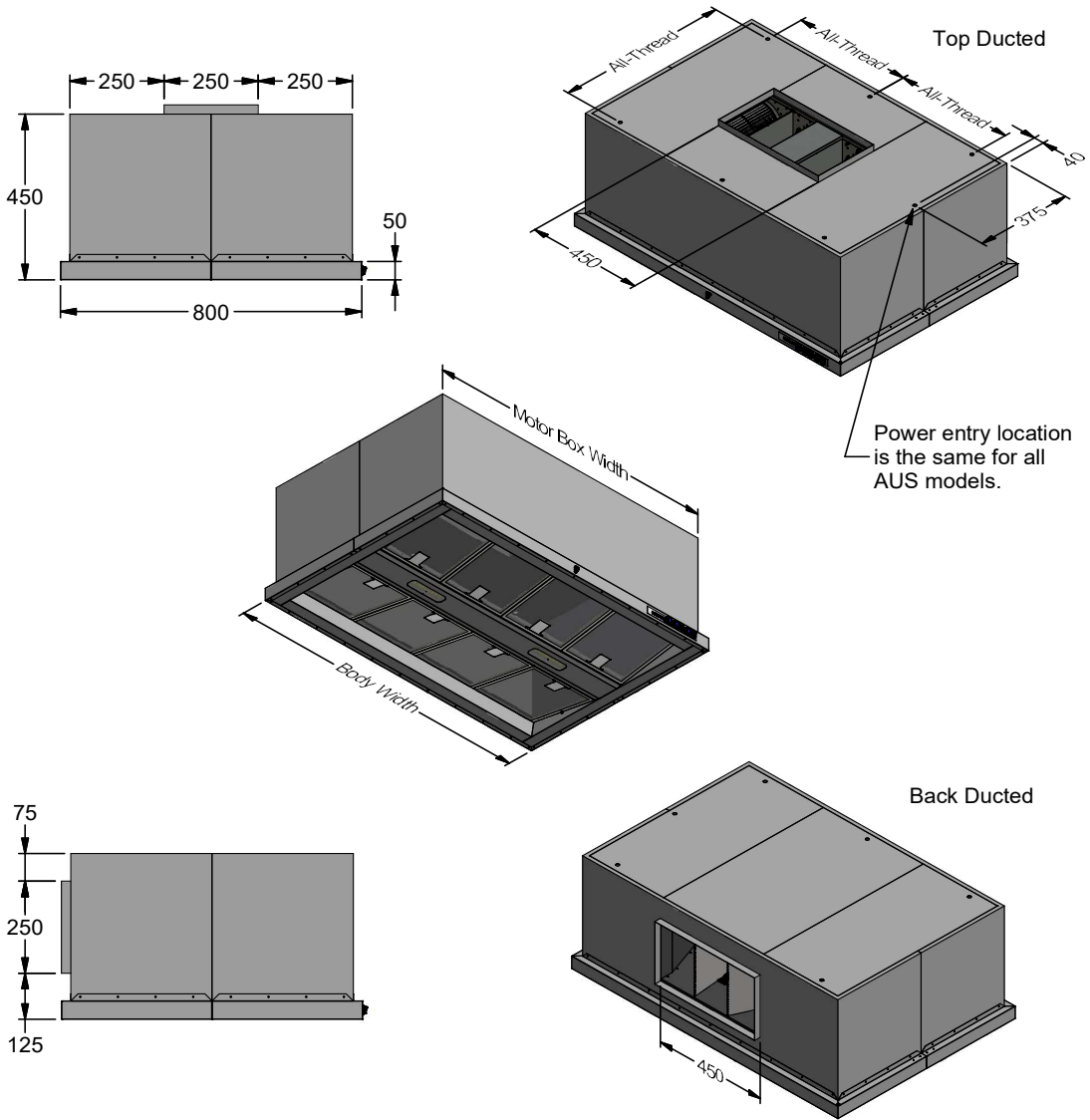
	Millington	
	Technical Specification Sheet	
	MIL	Ceiling Mounted



Power entry location is the same for all MIL models.

MILLINGTON model is made to order at the required height.

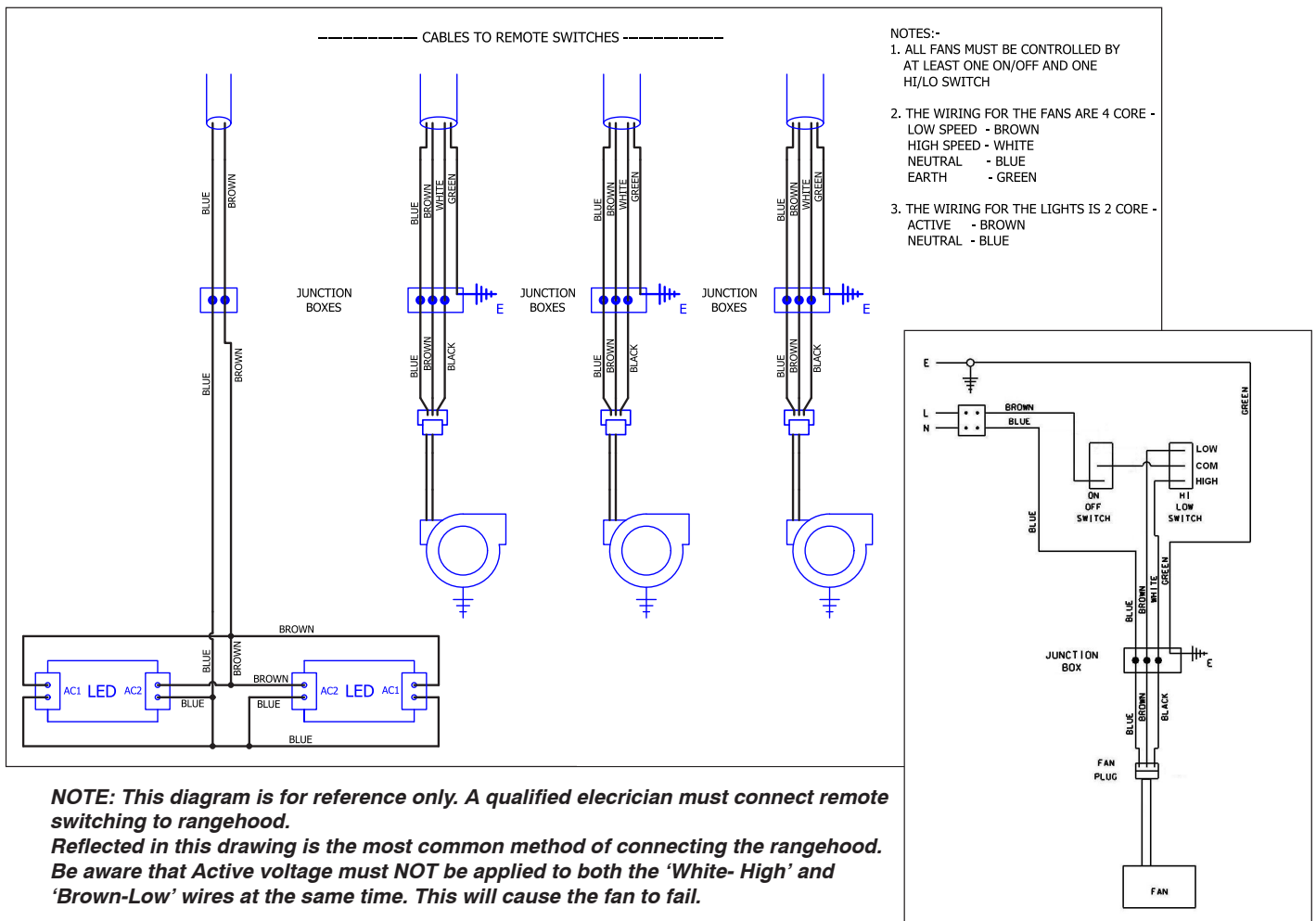
Model	MIL 1200L-3	MIL 1500L-3	Model	MIL 1200L-3	MIL 1500L-3
Body Width	1200mm	1500mm	Filter Size	272mm x 355mm	272mm x 355mm
Motor Box / Flue Width	N/A	N/A	Conversion Top/Back Back/Top	NO	NO
Motor Qty	3	3	Electrical Connection	10 Amp Lead	10 Amp Lead
LED Light	Cool or Warm	Cool or Warm	Minimum Height (H =)	500mm	500mm
Nightlight	NO	NO	Maximum Height (H =)	1160mm	1160mm
Light Qty	2	3	PowderKote® Available	N/A	N/A
Light Centres	545mm	409mm	All-thread Fixing Centres	1000mm x 700mm	1300mm x 700mm
Filter Qty	8	10	Corner Type	Square	Square
			Condari Pty Ltd.	Version: B 30/10/2018F Page 1 of 1	

			Austin Undercupboard Technical Specification Sheet				
AUS			Undercupboard				
 <p style="text-align: right;">Top Ducted</p> <p style="text-align: right;">Back Ducted</p> <p style="text-align: right;">Power entry location is the same for all AUS models.</p>							
Model	AUS 1000L-3	AUS 1200L-3	AUS 1500L-3	Model	AUS 1000L-3	AUS 1200L-3	AUS 1500L-3
Body Width	1000mm	1200mm	1500mm	Filter Size	290mm x 290mm	272mm x 290mm	459mm x 290mm
Motor Box / Flue Width	950mm	1150mm	1450mm	Conversion Top/Back Back/Top	NO	NO	NO
Motor Qty	3	3	3	Electrical Connection	Junction Box	Junction Box	Junction Box
LED Light	Cool or Warm	Cool or Warm	Cool or Warm	Minimum Height (H =)	N/A	N/A	N/A
Nightlight	NO	NO	NO	Maximum Height (H =)	N/A	N/A	N/A
Light Qty	2	2	3	PowderKote® Available	N/A	N/A	N/A
Light Centres	580mm	545mm	459mm	All-thread Fixing Centres	360mm x 665mm	460mm x 665mm	610mm x 665mm
Filter Qty	6	8	6	Corner Type	Square	Square	Square
			Condari Pty Ltd. Version: B 07/12/2017F Page 1 of 1				

REMOTE SWITCHING SPECIFICATIONS 3 FAN with LED

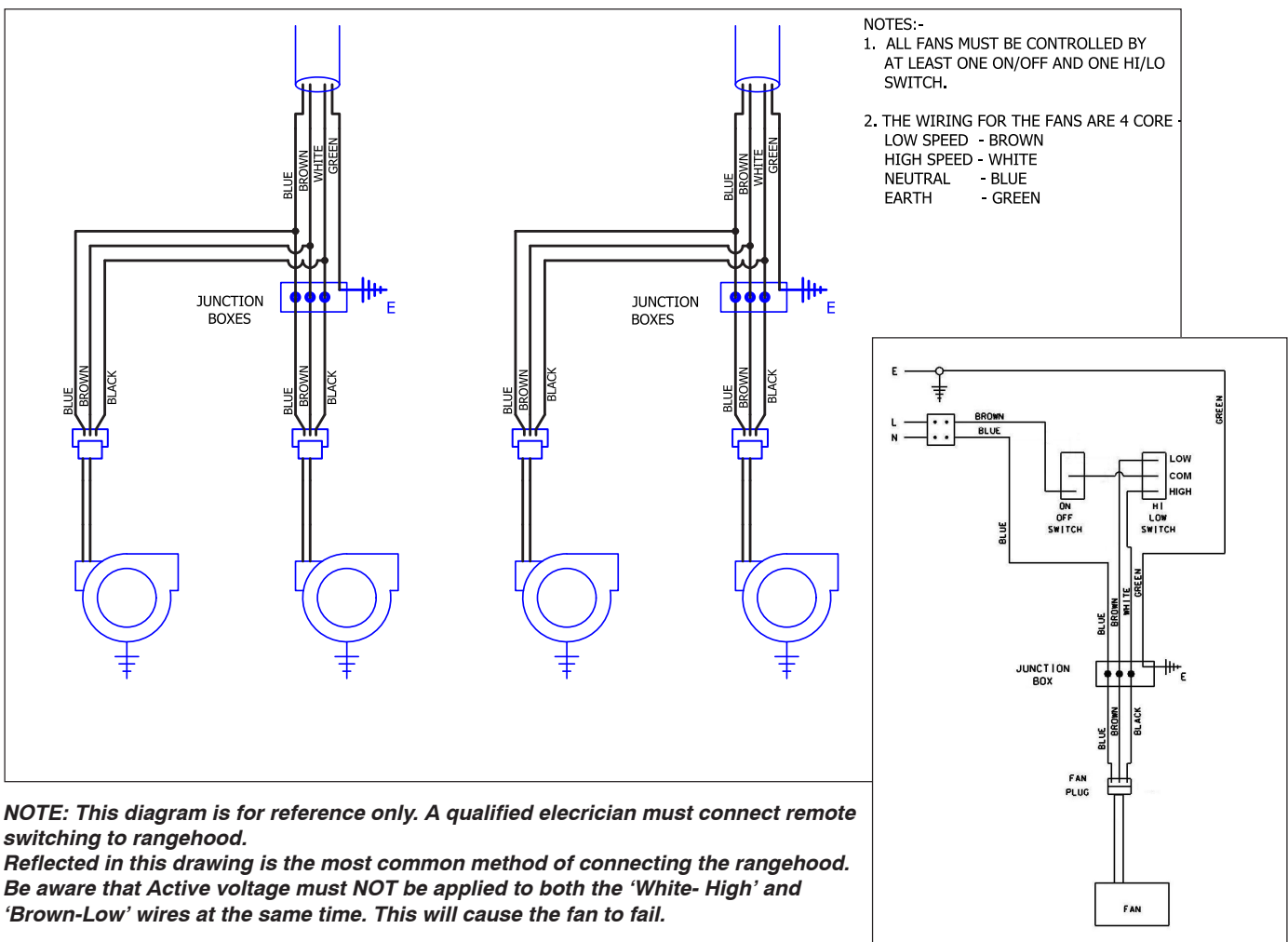
1. Wiring to the appliance must comply with State and local regulations.
2. Switching is not provided with this unit.
3. You may use any approved switching to connect the rangehood (e.g. Clipsal switches).
4. All fans must be controlled by at least one ON/OFF and one HI/LO switch.
5. Please refer to Wiring Diagram below for detailed wiring information.

WIRING DIAGRAM



REMOTE SWITCHING SPECIFICATIONS 4 FAN (no lights)

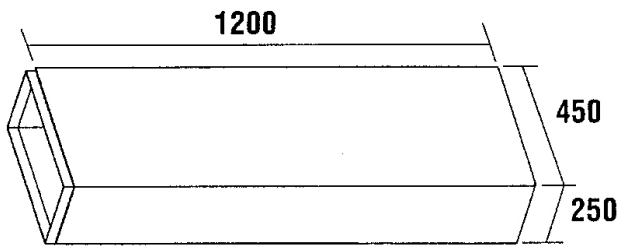
1. Wiring to the appliance must comply with State and local regulations.
2. Switching is not provided with this unit.
3. You may use any approved switching to connect the rangehood (e.g. Clipsal switches).
4. All fans must be controlled by at least one ON/OFF and one HI/LO switch.
5. Please refer to Wiring Diagram below for detailed wiring information.



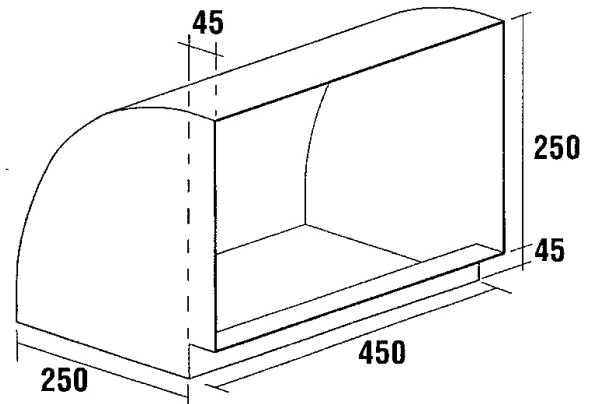
Please note that the Nullabor and Tanami models require Qasair Ducting, please contact your Qasair retailer for assistance.

CONDOR DUCTING

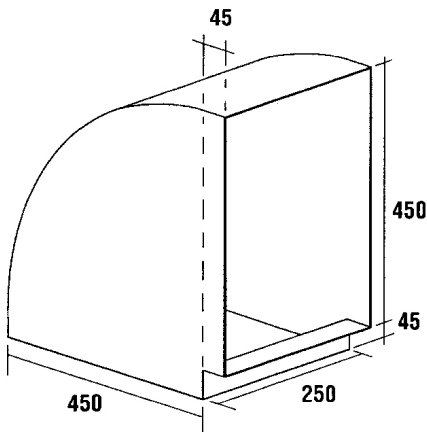
All Condor ducting pieces are available in zincalume, stainless steel, colourbond material or powderkote colour.



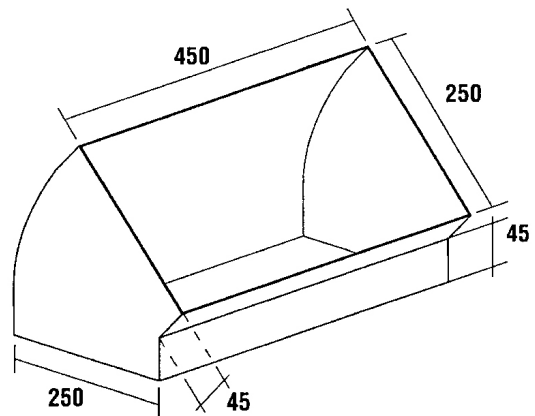
400. DL-4
DL-4 SS
DL-4 C/P



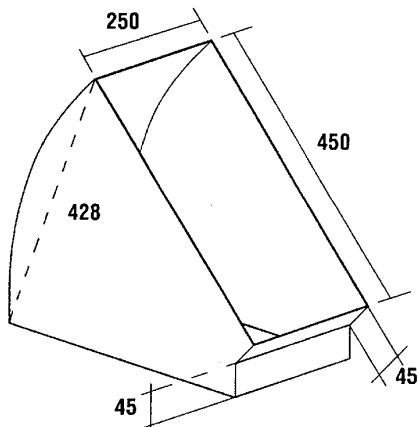
401. HB-450X250
HB-450X250 SS
HB-450X250 C/P



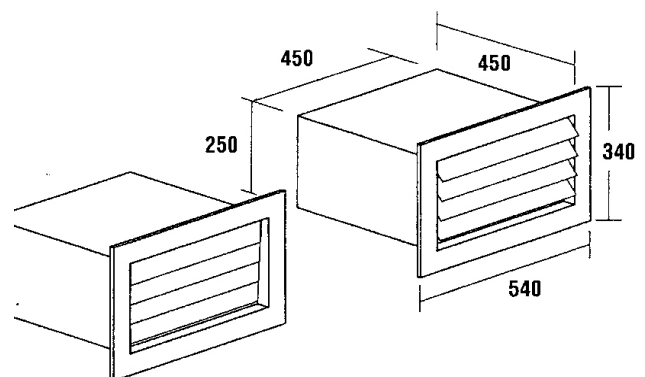
402. VB-450X250
VB-450X250 SS
VB-450X250 C/P



403. HB-450X250/45
HB-450X250/45 SS
HB-450X250/45 C/P



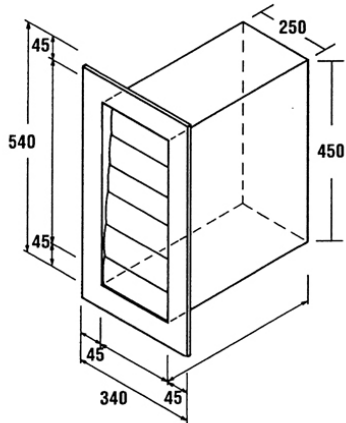
404. VB-450X250/45
VB-450X250/45 SS
VB-450X250/45 C/P



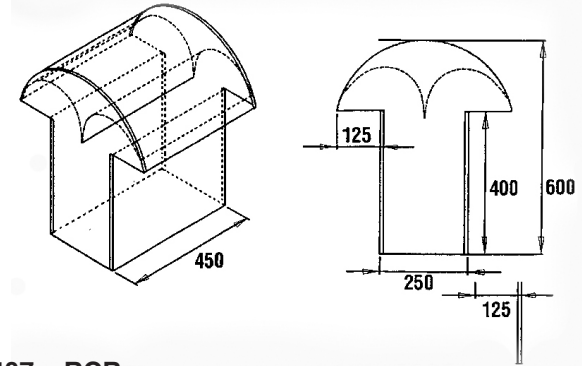
405. BD/WV-H-450X250
BD/WV-H-450X250 SS
BD/WV-H-450X250 C/P

CONDOR DUCTING

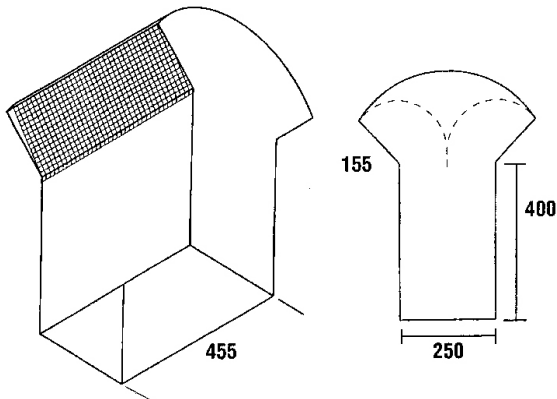
All Condor ducting pieces are available in zincalume, stainless steel, colourbond material or powderkote colour.



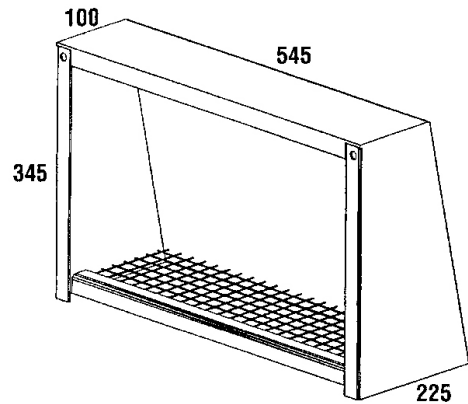
406. BD/WV-V-450X250
BD/WV-V-450X250 SS
BD/WV-V-450X250 C/P



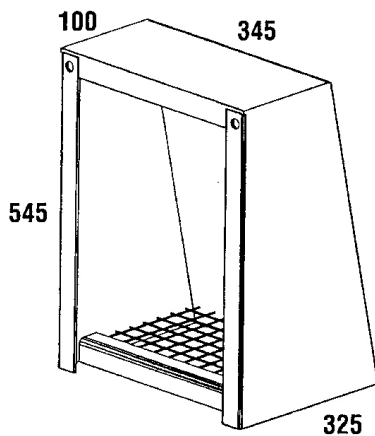
407. RCB
RCB SS
RCB C/P



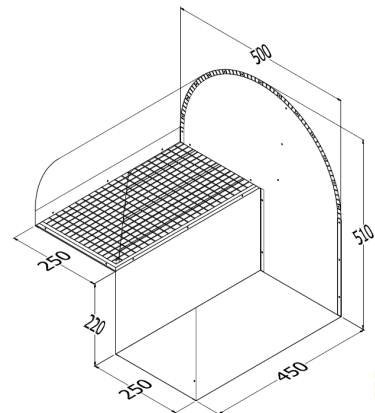
408. RCBA
RCBA SS
RCBA C/P



409. WVC-H-450X250
WVC-H-450X250 SS
WVC-H-450X250 C/P

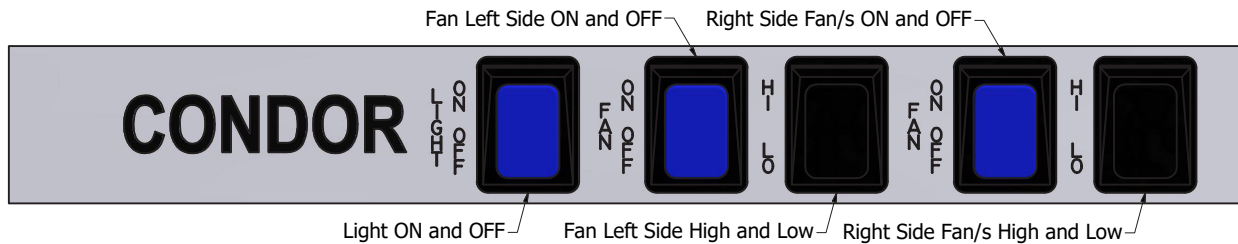


410. WVC-V-450X250
WVC-V-450X250 SS
WVC-V-450X250 C/P



411. BD RC-4
BD RC-4 SS
BD RC-4 C/P

OPERATION DETAILS



RANGEHOOD CLEANING

CONDOR Rangehoods are made from stainless steel, either type 304 or type 316.

* Type 304 is classified as 18/8 stainless steel

* Type 316 is classified as 18/10 stainless steel

This means that the stainless steel is made of 18% nickel and either 8% or 10% of chromium respectively.

Stainless steel gets its protective coating from the chromium oxidising in the air to form a protective surface of chromium oxide. This can be attacked by different substances, such as salt water or sea air. The stainless steel will start to show pit marks which are referred to in the industry as tea staining. This will happen to marine grade stainless steel type 316 in the same way it will happen to stainless steel type 304, it will just take longer to happen.

The way to overcome this is to clean the stainless steel with warm soapy water and then polish it with a cloth so that the chromium will oxidise again.

When exposed to sea water or sea side conditions this is only a stop gap measure as the attack will start again.

With stainless steel rangehoods exposed in Alfresco areas we recommend spraying the hood with vegetable oil and rubbing it all over the rangehood, if it is going to be unused over a period of time.

FILTER CLEANING

For the best results, please clean filters regularly.

Condari recommends cleaning filters once per month, or immediately after heavy use.

You can do this by hand washing in warm soapy water, or by placing filters in the top rack of the dishwasher using a detergent of pH 8 or less.

Note: Washing the filters in the dishwasher may cause discolouration of the filters.

We recommend washing filters in the dishwasher without detergent or use one of the powder detergents.

Ensure the filters are completely dry before placing them back.

Do not operate the rangehood without the filters installed.

Condari does not recommend the use of corrosive, caustic or acidic products, particularly industrial or citric products.

Condari has experienced problems with many of the dishwashing detergents now on the market.

Particularly with the tablet type detergents as many come from overseas, which are made for a hard water environment. We have found that these detergents have a deleterious effect on the filters and the result is that the filters last for about 50 to 60 washes.

This is equivalent to about 5 to 6 years life.

CONDARI PTY LTD APPLIANCE GUARANTEE

The benefits conferred by this warranty are in addition to all other rights and remedies in respect of the product which the consumer has under the Competition and Consumer Act 2010 and similar state and territory laws.

Condari P/L in Melbourne (and by their agency in Country Areas and other States) warrants that the appliance will be free from defects in materials and workmanship for a period of 36 months from the date of purchase of the appliance to the consumer.

If there is a breach of this warranty, Condari will rectify, free of charge, at its nearest service centre or authorised service agency any fault caused by faulty workmanship or material at the time of manufacture occurring in the appliance within 36 months from the date of purchase of the appliance to the customer.

This warranty is conditional upon the appliance being used only for personal, domestic and household purposes and installed and operated in accordance with CONDOR Instructions and does not apply to articles which by their nature are consumable.

If a defect is caused by neglect, misuse, or failure to follow operating instructions where special precautions are detailed for user attention then a charge shall be made for the service call.

For example:

The user is specifically requested:

- To clean filter regularly by handwashing or placing in a dishwasher at least once a month.
- To turn rangehood off after each use.

Where a claim is made under warranty, CONDARI reserves the right to determine whether or not the fault is caused by faulty workmanship or material or that the part is defective.

The consumer shall be fully responsible for all expenses whatsoever incidental to the removal of parts from the unit or to their replacement. Amongst other things, such responsibility shall extend to damaged walls, tiles, fixtures and fittings whether or not the unit has been built into a cupboard and irrespective of the stage either of its installation or the fitting of any other item whatsoever in its vicinity.

No other person, or firm or corporation is authorised by Condari to offer or give on its behalf any other greater warranty than that given by Condari under this warranty.

Condari Pty Ltd provides to all CONDOR Rangehoods a 10 year motor replacement warranty. This is a change over warranty.

The installation of the rangehood must comply with the information in this guide. Failure to adhere to the instructions may result in loss of the Condari warranty.

We do point out that incorrect installation such as the ducting being the incorrect size or the duct run being too long will result in the motor failing and possible burning out.

Replacement of the Fan Motors will need to be carried out by a authorized Condari technician and will be charged at the rates applicable at time of replacement.

EXCLUSIONS

There are some exclusions from the Condari Pty Ltd Guarantee. (on previous page)

CONDOR Rangehoods are designed to be used over all domestic barbecues available in AUSTRALIA.

QASAIR Rangehoods are not to be used over barbecues approved for outdoor use only.

Outdoor barbecues will have a rating plate on them specifying that they are approved for outdoor use only.

If none of our Standard Condor Rangehoods suit your requirements, Condari can manufacture a special rangehood to suit your Alfresco Area.



STANDARD WARRANTY

Date purchased _____

Purchased from _____

Model _____

Serial No _____

The purchaser must fill in the above information and keep this with the original purchase document. This form must be produced if and when a claim is made under this warranty.

CONDOR Rangehoods are made in Ringwood, Australia.

Tel: +61 3 9482 7088

Fax: +61 3 9482 7011

Email: sales@condari.com.au

Please Note that the Standard Warranty is from the date of purchase. Proof of purchase date is required to obtain service under this warranty.

If no proof of purchase date can be provided at the time of the service call, then the service call will be charged at the standard rate.

If proof of purchase date can be provided at a later date, reimbursement of the service cost will be made.



EXTENDED WARRANTY

Condari Pty Ltd provides an extended warranty from 36 months to 72 months if installed by an authorised Condari installer and the below form is completed.

The authorised installer also offers a warranty on their workmanship for the same period of 72 months with a guarantee that the installation is in compliance with 'Condor installation instructions'.

Customer Name: _____

Model Number: _____ Serial Number: _____

Purchased from: _____

Purchased Date: _____ Installed Date: _____

Installer Name: _____

Installer Signature: _____

Condari Pty Ltd authorised installer stamp:
(This is required for validity of extended warranty)

Please note: The installation warranty does not cover the ageing process in a building or any problems due to storm damage.









DISTRIBUTED IN AUSTRALIA BY CONDARI PTY LTD

Tel: 1300 360 563

HEAD OFFICE

VIC Tel: 03 9482 7088 Fax: 03 9482 7011

Email: sales@condari.com.au

Website: www.condari.com.au

YOUR DISTRIBUTORS

NSW/ACT Tel: 02 9316 4599 Fax: 02 9316 9299 Email: salesnsw@qasair.com.au

QLD Tel: 07 3423 3503 Fax: 07 3282 9122 Email: salesqld@qasair.com.au

WA Tel: 08 9242 5387 Fax: 08 9201 0887 Email: saleswa@qasair.com.au

SA/NT Tel: 1300 360 563 Fax: 03 9482 7011 Email: sales@qasair.com.au

TAS Tel: 03 9482 7088 Fax: 03 9482 7011 Email: sales@qasair.com.au

New Zealand

Kouzina Appliances

155 The Strand, Parnell

Auckland New Zealand

Tel: +64 9 377 7822 Fax: +64 9 377 7824

Email: sales@kouzina.co.nz

Singapore

Eldric Marketing Pte Ltd

176 Orchard Road

#05-03 Centrepoint Singapore 238843

Tel: +65 6369 1168 Fax: +65 6733 8133

CONDARI RESERVES THE RIGHT TO CHANGE SPECIFICATION WITHOUT NOTICE
CONDOR RANGEHOODS MADE IN RINGWOOD 3134

