



Serious Barbecues

Signature Series Barbecue

Trim Kit - Assembly Instructions

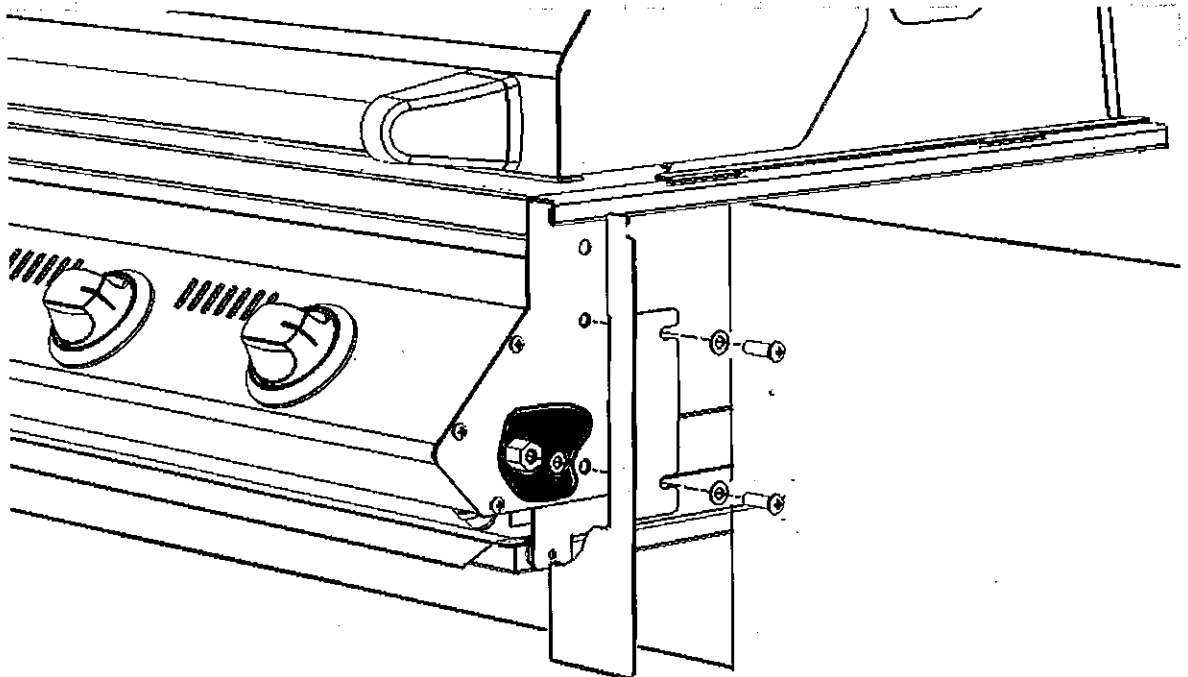
Content:

| Qty | description | Qty | description |
|-----|-------------------------|-----|-----------------------|
| 1 | Front Cover | 4 | M6 x 12mm Screws |
| 1+1 | RH Trim + LH Trim | 8 | M6 Fiber Washers |
| 1 | Rear Cover | 4 | M6 Nuts |
| 2 | Small screws for handle | 2 | Small nuts for handle |

Instructions

Note: the full Barbecue assembly instructions can be found in the **Barbecue Carton**. These instructions only refer to placement of Trims in Built-In situations.

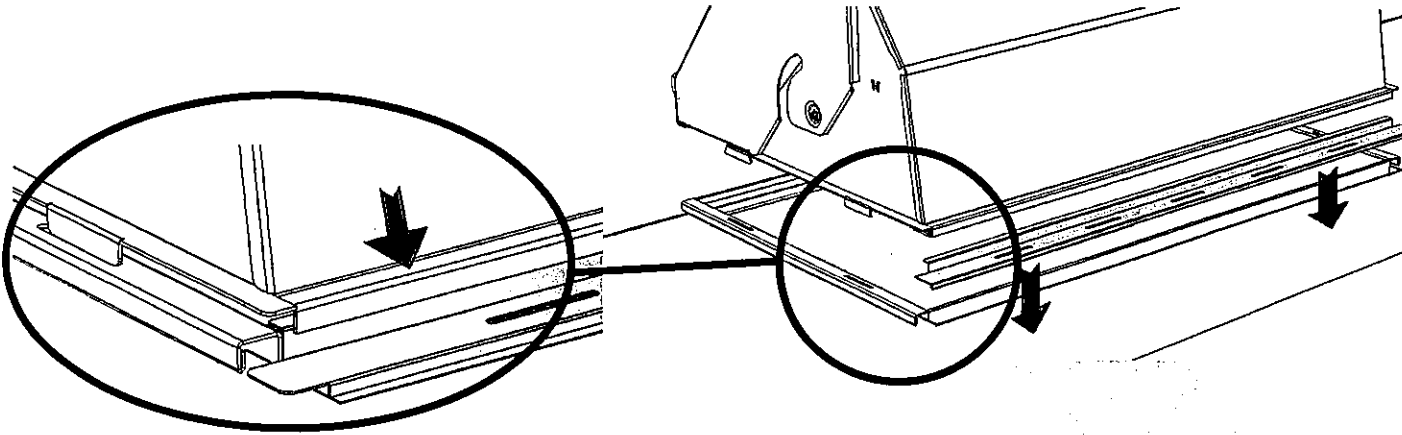
1. Pull the Barbecue out towards the front about 100mm, and attach the RH Trim and LH Trim to Barbecue body using 4 M6 x 12mm screws, 8 washers and 4 M6 nuts:



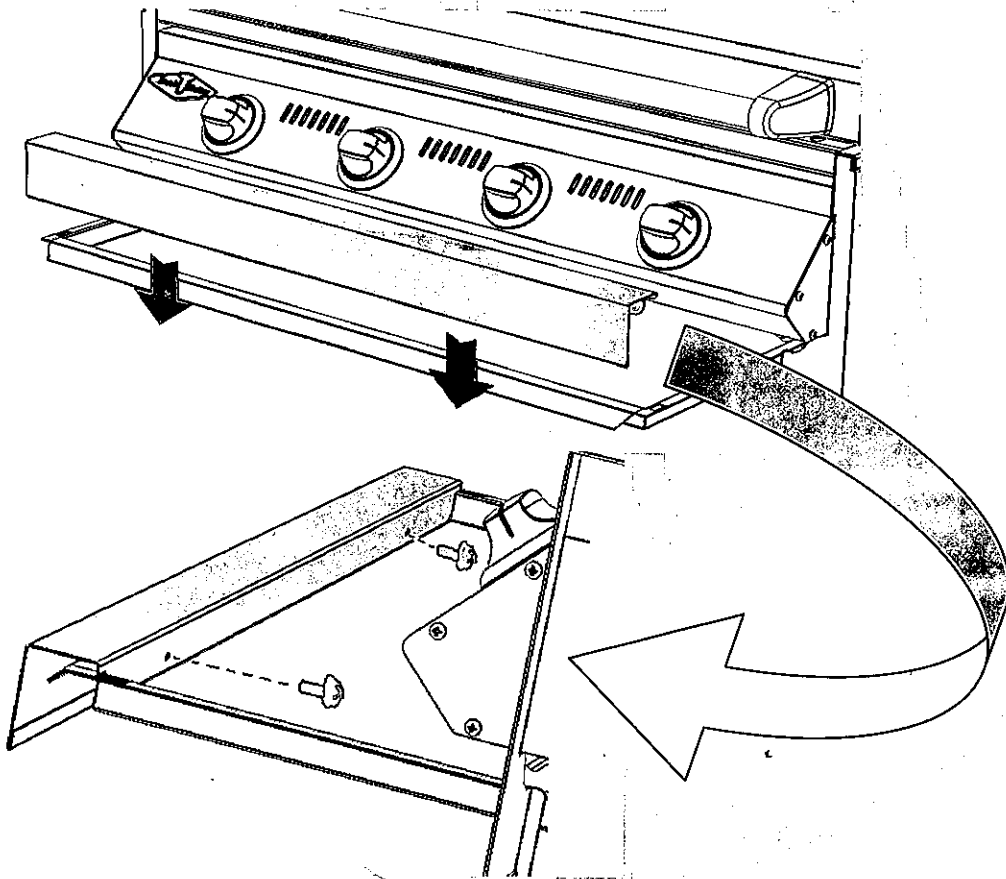


Serious Barbecues

2. Push the BBQ back into its position in the bench, and attach rear cover by lifting the hood slightly, and placing the trim strip in between the body and the hood:



3. Pull Fat-Tray out half way, and attach the handle to place with 2 small screws and 2 nuts:



Images in this manual are for illustrative purposes only. Due to constant improvement, BeefEater advises that changes to the design, material, specifications and product configuration may occur at any time without notice.

Woodland Home Products
3-5 Birmingham Av, Chester- Hill, NSW,
Australia, 2162
Phone: 1800 356 660
Facsimile: 02 8704 0000