



Model Code: CR340

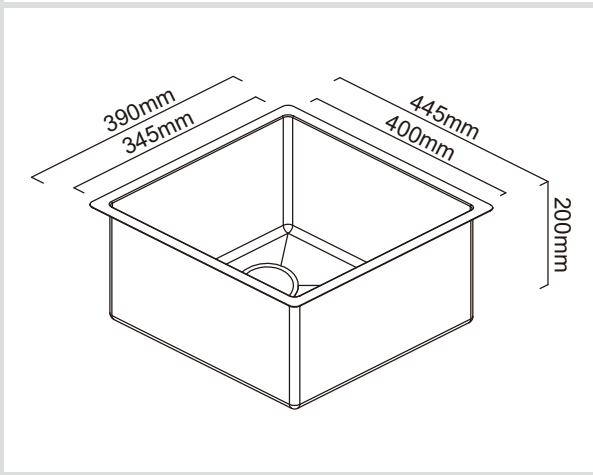
Included Accessories

			
ICM8	UMC6	6020	DTA16

Optional Accessories

			
1TOF29	DR007	1VSOF	CNA-3-845
			
CBFR182	DG1		

Dimensions



Specifications

Description	Single Bowl, Inset/Undermount Sink
Overall Sink Size	390mm x 445mm x 200mm deep
Bowl Dimensions	345mm x 400mm x 200mm deep
Drainer Length	N/A
Technic	Fabrication
Material	1.2mm Stainless Steel SUS304

Installation

Fixings	Inset & Undermount clips supplied
Template	N/A
Min Cabinet Size	500mm
Waste Holes	1 x 90mm round Compatible with waste disposal

Plumbing

Waste Fittings	1 x (90mm x 2") basket wastes included
Overflow	Available, conditions apply

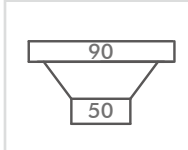
Packaging

Carton Type	Eco packaging & Individual carton
Gross Weight	7.56Kg
Carton Size	455mm x 300mm x 545mm
Pack QTY	1

SURFACE FINISH



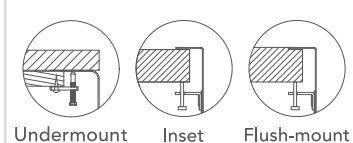
WASTE KIT



MATERIAL



INSTALLATION OPTIONS



PROFILE



Abey are Australia's leaders in sinkware, designing and manufacturing to the world's highest quality specifications as well as sourcing and bringing you Europe's very best, leading edge designs – practical, affordable, inspirational, stylish, timeless or cutting edge. When you buy an Abey stainless steel sink you receive the highest quality and a 25 year warranty. Abey and the manufacturer are continually seeking ways to improve the design specifications, aesthetic and production techniques of the products. As a result, alterations to the specifications and dimensions of the products and designs occur continually.