

30cm Domino Teppanyaki Plate

Code EMJTE30SX Stainless Steel



THE euro MILAN DOMINO TEPPANYAKI

Will allow you to create your own home made gourmet crepes, pancakes, eggs, burgers & fish recipes. The culinary horizon is wide open with this cooktop & with the 304 grade premium quality surface also is designed for easy cleaning.

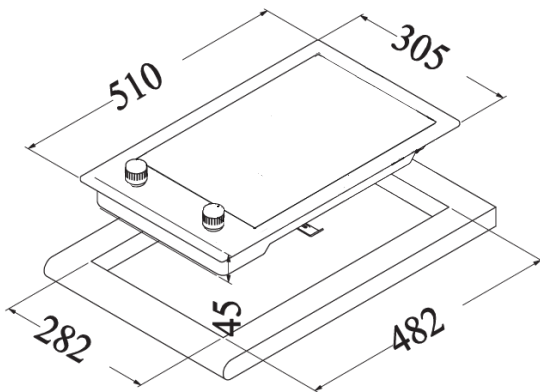
FEATURES

- 304 grade Stainless Steel plate
- Dual cooking zones
- High temperature resistance surface
- Thermostatically controlled Temperature
- Variable 0 – 250 degrees temperature control
- Front knob control operation
- On / Off indicator light
- Easy cleaning surface
- Made in Italy

DUAL COOKING ZONES

The Teppanyaki plate gives you the choice of cooking on two areas. Simply cook on the front half of the plate for small amounts of food or select the whole plate for bigger volumes. The heating elements provide rapid even heat distribution throughout the cooking area.

PRODUCT DIMENSIONS



ELECTRICAL REQUIREMENTS

10 amp dedicated circuit from cooktop to main switchboard.

VOLTAGE: 220V-240V

FREQUENCY: 50HZ

TOTAL RATED LOAD: 2400W

WEIGHT

5.5kg Gross

INSTALLATION:

Please refer qualified installer to our product instruction manual.

