



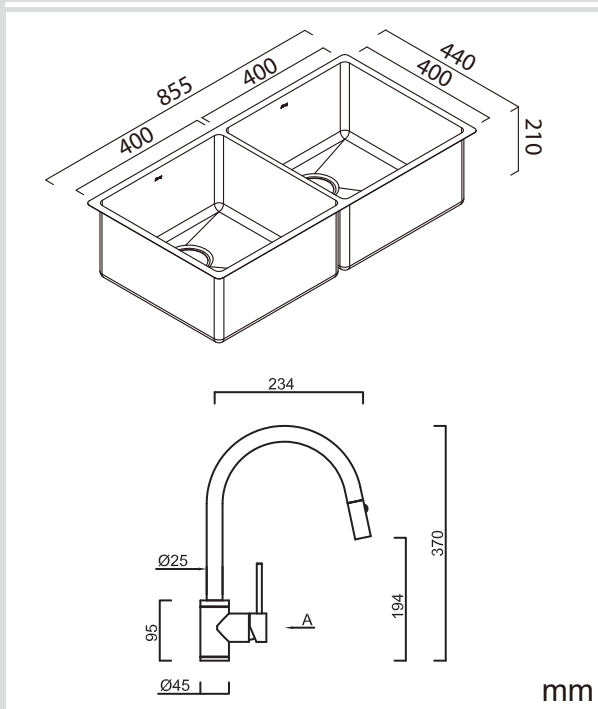
Model Code: FRA400DT15

Included Accessories

 ICM8 x 2	 UMC6 x 2	 6020
	 DTA18-316	 KTA037-316-BR

Optional Accessories

Dimensions



Specifications

Description	Double bowl, Topmount, Flushmount or Undermount Sink
Overall Sink Size	855mm x 440mm x 210mm deep
Bowl Dimensions	400mm x 400mm x 210mm deep 400mm x 400mm x 210mm deep
Drainer Length	N/A
Thickness	1.2mm
Material	Stainless steel SUS316

Installation

Fixings	Clips supplied
Template	N/A
Min Cabinet Size	950mm
Waste Holes	2 x 90mm round Compatible with waste disposal
Sealing Strip	N/A

Plumbing

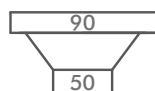
Waste Fittings	2 x (90mm x 2") basket waste included
Overflow	N/A

SURFACE FINISH



Microbrush

WASTE KIT



MATERIAL



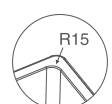
Stainless Steel

INSTALLATION OPTIONS



Undermount Topmount Flushmount

PROFILE



Corner

Abey are Australia's leaders in sinkware, designing and manufacturing to the world's highest quality specifications as well as sourcing and bringing you Europe's very best, leading edge designs – practical, affordable, inspirational, stylish, timeless or cutting edge. When you buy an Abey stainless steel sink you receive the highest quality and a 25 year warranty. Abey and the manufacturer are continually seeking ways to improve the design specifications, aesthetic and production techniques of the products. As a result, alterations to the specifications and dimensions of the products and designs occur continually.