



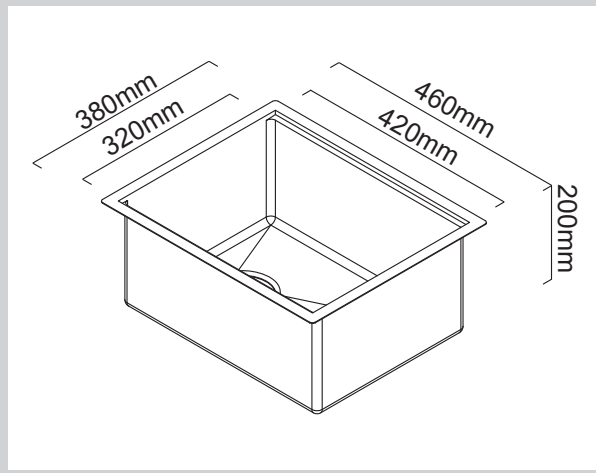
Model Code: FRAP320

Included Accessories



Optional Accessories

Dimensions



Specifications

Description	Single bowl, Inset/Undermount Sink
Overall Sink Size	380mm x 460mm x 200mm deep
Bowl Dimensions	320mm x 420mm x 200mm deep
Drainer Length	N/A
Technic	Fabrication
Material	Stainless steel SUS316

Installation

Fixings	Inset & Undermount clips supplied
Template	N/A
Min Cabinet Size	500mm
Waste Holes	1 x 90mm round Compatible with waste disposal

Plumbing

Waste Fittings	1 x (90mm x 2") basket waste included
Overflow	N/A

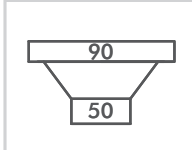
Packaging

Carton Type	Eco packaging & Individual carton
Gross Weight	14.3Kg
Carton Size	550mm x 295mm x 475mm
Pack QTY	1

SURFACE FINISH



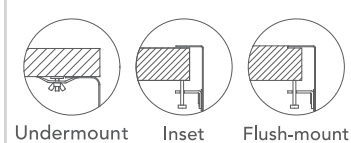
WASTE KIT



MATERIAL



INSTALLATION OPTIONS



PROFILE



Abey are Australia's leaders in sinkware, designing and manufacturing to the world's highest quality specifications as well as sourcing and bringing you Europe's very best, leading edge designs – practical, affordable, inspirational, stylish, timeless or cutting edge. When you buy an Abey stainless steel sink you receive the highest quality and a 25 year warranty. Abey and the manufacturer are continually seeking ways to improve the design specifications, aesthetic and production techniques of the products. As a result, alterations to the specifications and dimensions of the products and designs occur continually.