



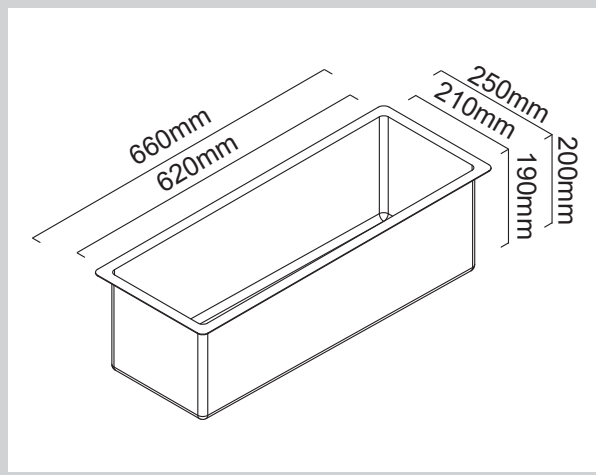
**Model Code: FRAP620**

### Included Accessories

 ICM8	 UMG8	 WK-50/40-PA
 CBF-PR620 x 2	 PR001-316	 PR002-316

### Optional Accessories


### Dimensions



### Specifications

Description	Single bowl, Inset/Undermount Sink
Overall Sink Size	660mm x 250mm x 200mm deep
Bowl Dimensions	620mm x 210mm x 200mm deep
Drainer Length	N/A
Technic	Fabrication
Material	Stainless steel SUS316

### Installation

Fixings	Inset & Undermount clips supplied
Template	N/A
Min Cabinet Size	700mm
Waste Holes	1 x 50mm round Compatible with waste disposal

### Plumbing

Waste Fittings	1 x (50mm x 2") basket waste included
Overflow	N/A

### Packaging

Carton Type	Eco packaging & Individual carton
Gross Weight	15.2Kg
Carton Size	750mm x 345mm x 335mm
Pack QTY	1

**SURFACE FINISH**




Microbrush

**WASTE KIT**



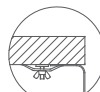


50

**MATERIAL**




SUS 304  
Stainless Steel

**INSTALLATION OPTIONS**

Undermount    Inset    Flush-mount

**PROFILE**



R10  
Horiz

Abey are Australia's leaders in sinkware, designing and manufacturing to the world's highest quality specifications as well as sourcing and bringing you Europe's very best, leading edge designs – practical, affordable, inspirational, stylish, timeless or cutting edge. When you buy an Abey stainless steel sink you receive the highest quality and a 25 year warranty. Abey and the manufacturer are continually seeking ways to improve the design specifications, aesthetic and production techniques of the products. As a result, alterations to the specifications and dimensions of the products and designs occur continually.