



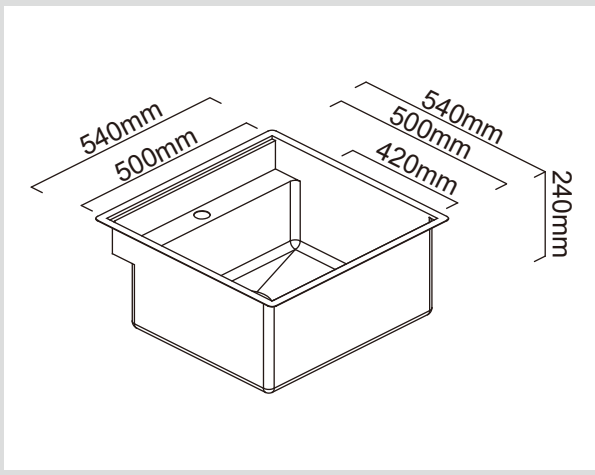
Model Code: FRAT500

Included Accessories

 ICM8	 UMC6	 6020
 SCF-FRA500T	 KTA035-316-BR	

Optional Accessories

Dimensions



Specifications

Description	Alfresco Covered Sink & Tap Kit
Overall Sink Size	540mm x 540mm x 240mm deep
Bowl Dimensions	500mm x 420mm x 240mm deep
Drainer Length	N/A
Thickness	1.2mm
Material	Stainless steel SUS316

Installation

Fixings	Inset & Undermount clips supplied
Template	N/A
Min Cabinet Size	600mm
Waste Holes	1 x 90mm round Compatible with waste disposal
Sealing Strip	N/A

Plumbing

Waste Fittings	1 x (90mm x 2") basket waste included
Overflow	N/A
Tap Mixer	WELS 4 Star (T36963)

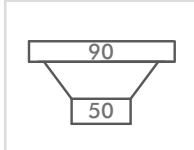
Packaging

Carton Type	Eco packaging & Individual carton
Gross Weight	16kg
Carton Size	685mm x 625mm x 360mm
Pack QTY	1

SURFACE FINISH



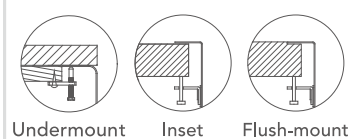
WASTE KIT



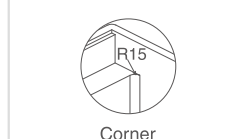
MATERIAL



INSTALLATION OPTIONS



PROFILE



Abey are Australia's leaders in sinkware, designing and manufacturing to the world's highest quality specifications as well as sourcing and bringing you Europe's very best, leading edge designs – practical, affordable, inspirational, stylish, timeless or cutting edge. When you buy an Abey stainless steel sink you receive the highest quality and a 25 year warranty. Abey and the manufacturer are continually seeking ways to improve the design specifications, aesthetic and production techniques of the products. As a result, alterations to the specifications and dimensions of the products and designs occur continually.