

ALFA

Product Catalogue

DOMESTIC





Product Catalogue

Domestic

**Share the taste
of a pizza
made just like
in a pizzeria!**



INDEX

Table of content

p **10-21** 01. Design & Performance

- S. 16-17 Flue System Patent
- S. 18-19 Forninox Technology

p **22-27** 02. Made in Italy

- S. 26-27 Guiding principles

p **28-85** 03. Alfa Ovens

- S. 30 Family Design
- S. 32 **MODERNO Line**
- S. 34 Nano
- S. 40 Ciao
- S. 46 Brio
- S. 52 Allegro
- S. 58 **CLASSICO Line**
- S. 60 5 Minuti
- S. 66 4 Pizze
- S. 72 Dolcevita
- S. 78 **FUTURO Line**
- S. 80 Stone Oven
- S. 86 Recap

p **88-98** 04. Accessories and
Complements

- S. 90 Multi-functional base
- S. 92 Kit Pizzaiolo
- S. 94 Professional pizza peel set
- S. 96 BBQ500
- S. 98 Kit Hybrid

p **100** 05. Technical Data Sheets



ALFA FORNI

Mission, Vision & Promise



We want to reach and **inspire people** around the world looking to experience the pleasure of cooking with ovens and **share the taste of life** with their loved ones.



We want to provide professionals and amateurs with **beautiful high-performance ovens proudly Made in Italy with a commitment to quality**, for the best experience and satisfaction.



Art and performance without any compromise!

01

DESIGN E PERFORMANCE

Design and innovation in a single oven

Our Made in Italy design is the result of constant research. The goal that has driven our R&D department for years is to **offer the best possible performance, turning the use of the oven into a unique experience.**

A powerful combination of form and authenticity.





DESIGN E PERFORMANCE

Tradition: refractory brick

Alfa's domestic wood-fired ovens are still built by the skilled hands of **artisans who specialise in working with refractory brick.**

- 01** The refractory cooking surface is the heart of the Alfa oven: authentic, **high-density refractory bricks produced on site in our factory in Anagni.**
- 02** Refractory brick provides **superior heat absorption and heat retention**, which are essential for reaching the proper cooking temperature for pizza dough.
- 03** The Alfa refractory brick sits on a 2-inch-thick base layer of a special autoclaved aerated concrete that **improves insulation and efficiency, stabilising the temperature of the top refractory layer.**



DESIGN E PERFORMANCE

Innovation: steel to protect the fire

Alfa's real innovation is the **stainless steel vault** insulated with ceramic fibre to **maintain the heat** inside the cooking chamber.



- 01 Thermal efficiency** is absolutely vital for maintaining high temperatures. That's why we use ceramic fibre insulation between the inner and outer walls of every Alfa oven.
- 02 This ceramic fibre insulation offers almost twice the resistance** to heat (1,200 degrees compared to 750 degrees) as the rock wool insulation used in other pizza ovens.
- 03 The insulation also allows for faster heat recovery between one pizza and the next** and drastically lowers the temperature of the oven's outer wall.

DESIGN E PERFORMANCE

Flue System Patent

Alfa Forni's research and development department patented its **Flue System™ technology** in 2019. A **smoke extraction system that improves the circulation of hot air inside the cooking chamber**, increasing the oven's thermal efficiency.

This patented design helps Alfa Forni use all the heat available, while others lose it. Another reason why **Alfa lets you enjoy your pizza at home just like you would in a pizzeria.**



The heat of the fumes is recovered by **regulating air flows.**

Fume conveyors.

Before the natural outflow, **the hot fumes continue to heat** the oven vault and cooking surface.

3 cm thick refractory tiles produced at Alfa by specialised artisan.

The walls do not overheat thanks to the **double layer of ceramic fibre** that completely insulates the oven. Resistant up to 1200°C.

Alfa Forni - Flue System

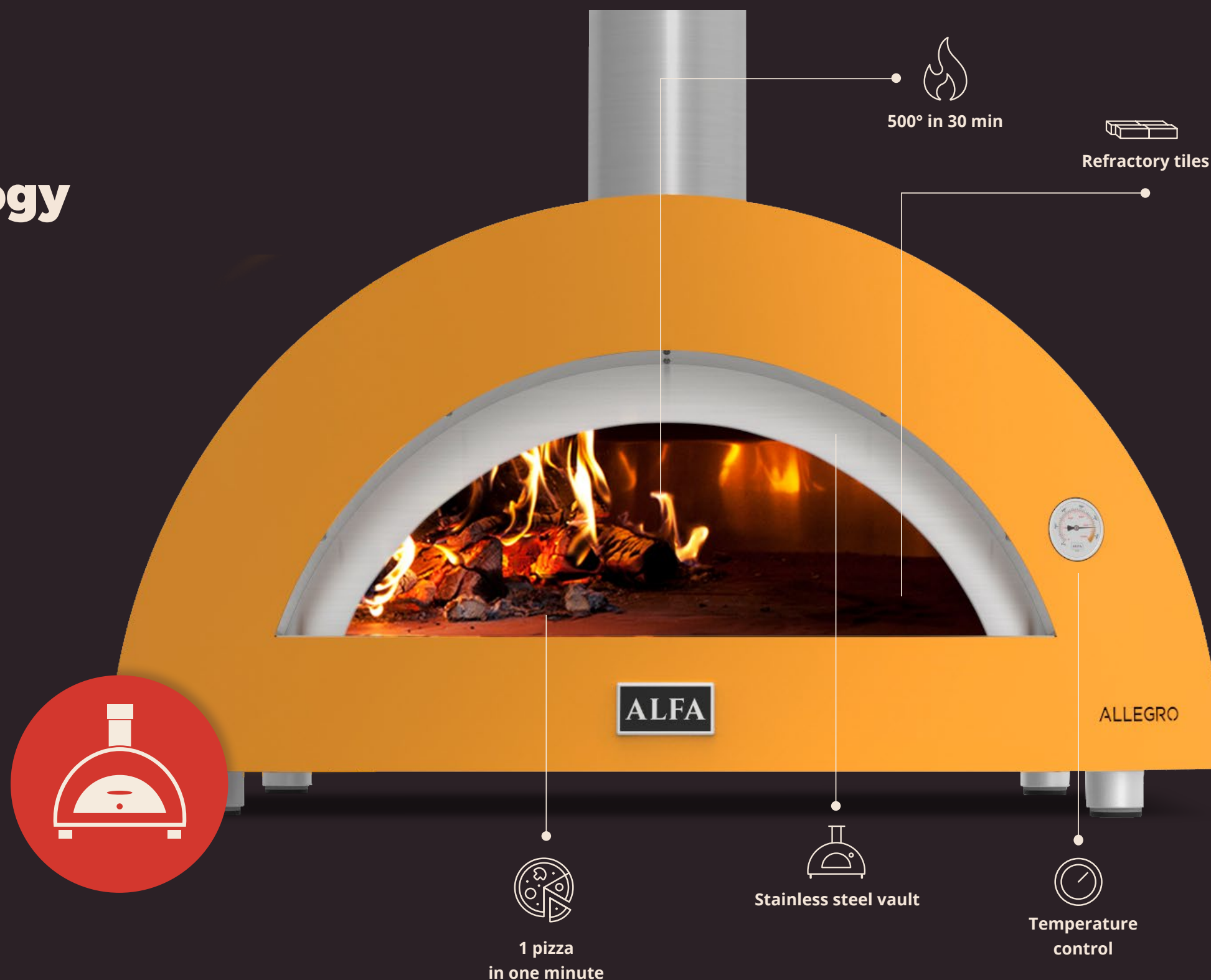
DESIGN E PERFORMANCE

The perfect combination: Forninox technology

The innovation of Forninox™ technology consists in **combining the excellent physical and thermal properties of steel with those of refractory brick**, the material used to build professional ovens.

The **steel structure** ensures adequate resistance to the thermal and mechanical stress caused by the high temperatures reached by the oven.

Insulating the dome with two layers of ceramic fibre instead allows the temperature to be raised very quickly and held for longer, gradually releasing the heat and achieving optimal cooking.



**Italian quality
and technological
evolution
in a single oven!**



02

02

MADE IN ITALY

The art of **Italian cooking.**

Every Alfa oven is a **100% Italian artisan product with an internationally inspired design.**

The desire to continuously innovate has enabled us to always give you the best technology available to help you cook, grill and roast quickly like a pro.



MADE IN ITALY

A family business since 1977

Leading a professional team requires leaders who can lead and motivate, who have a clear vision of the future and a keen eye on traditions: **Marcello Ortuso and Rocco Lauro are the founders of Alfa Forni** and the soul of this great, wonderful company.

"We are proud to be Italian and we are proud to work with the best Italian artisans!"



MADE IN ITALY

Artisans with a fire inside

The word "artisan" comes from "art". That's why today more than ever, being an artisan means **combining creativity and skill, energy and passion to create something unique** with your own hands.

And it is from those skilful hands that Alfa products are born in Italy: domestic and professional wood and gas ovens that have been **recognised worldwide for their quality for more than 40 years.**

MADE IN ITALY

Our guiding principles

01.

QUEST FOR VALUE FOR CUSTOMERS

We strive to anticipate, understand and meet the needs and expectations of our customers through continuous dialogue, providing highly useful products.

02.

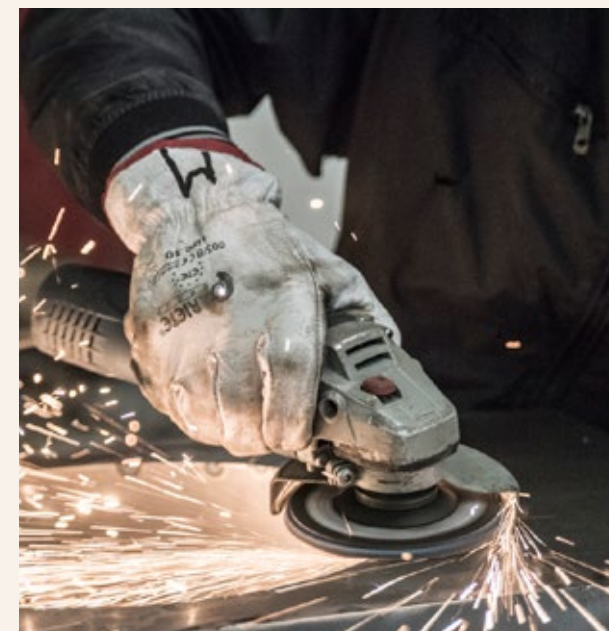
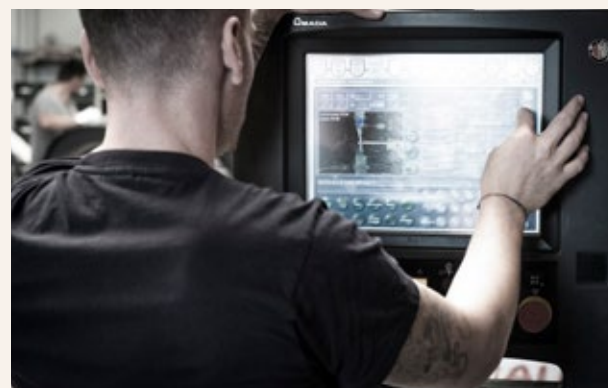
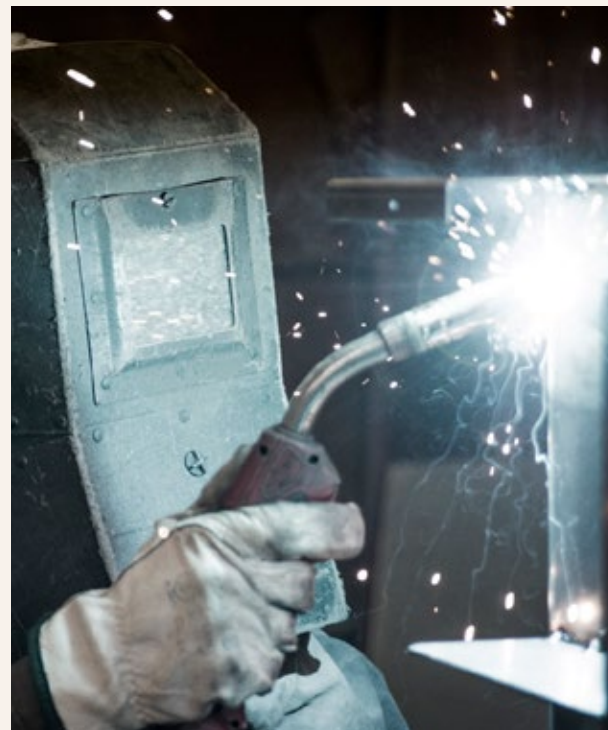
USEFUL INNOVATION

As an Italian company competing on the global market, we have forged an aptitude for innovation based on tradition, design research, continuous renewal and evolutionary drive that benefits our customers and which we intend to pursue.

03.

LEADERSHIP

We seamlessly shape our leadership with strength and tenacity, based on personal example and modesty, trusting people and promoting team spirit to help our employees grow.



04.

VALUING PEOPLE

As a family company, we are dedicated to the well-being of our employees and their personal development. We promote respect in mutual relations and believe in the value of lasting relationships with customers, suppliers and other industry partners.

05.

RESPONSIBILITY AND INTEGRITY

The utmost attention is dedicated to workplace safety and to fairness and integrity in conduct amongst ourselves, our business partners and the general public.

06.

LONG-TERM ORIENTATION

44 years after its foundation, the generational changeover with the inclusion of the second generation in top positions guarantees continuity and long-term orientation. Our harmonious and resilient strategic development are based on prudence and financial soundness.

03

03

ALFA FORNI

In the beginning it was the oven. Now there's Alfa.

The **pioneering** nature of our roots, the resilience we have built up in the face of change and our internationality have guided us on our journey of **growth**.

Alfa Ovens are designed and conceived as professional ovens. With their unique and patented design, our ovens **guarantee excellent cooking performance** thanks to innovative materials and technologies.



ALFA FORNI

Family DESIGN

To define who we are, we like to start from an **absolute principle**, which for us is quality given by constant innovation, the selection of exclusively Italian materials and **attention to detail**.

Alfa ovens for domestic use are **uniquely designed products, suitable for classic and modern environments**, for gardens and terraces.



MODERNO Line

CLASSICO Line



FUTURO Line



ALFA FORNI

MODERNO Line

The MODERNO Line was designed to enhance the beauty of the design and performance of Alfa ovens while maintaining the characteristic lines that distinguish them. Perfect for those who have many friends with whom to share the taste of Italian cuisine.

Alfa ovens are the most satisfying **outdoor cooking experience**. Every technical feature of Alfa's stainless ovens is designed to improve your life. Starting with the speed of ignition and cooking precision: they quickly heat up to 500° and can cook a pizza in 1 minute.

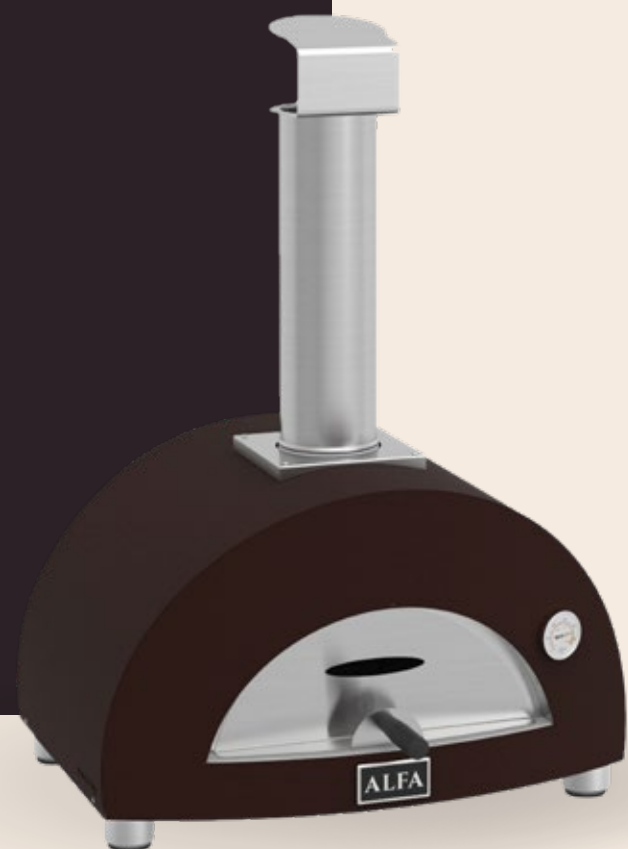


MODERNO LINE

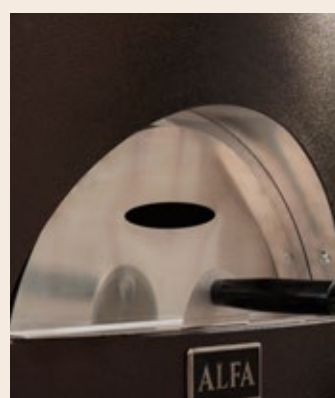
Nano

One changes name,
but not its substance.

One becomes Nano.



details



Nano is **Alfa's portable pizza oven** with compact dimensions, weighing only 50 kg and with an **unmistakable** Alfa design.

Ideal for those who want to have a **high-performance portable** oven.





Reinforced stainless steel vault with a double layer of ceramic fibre insulation that ensures excellent temperature retention during cooking.



4 tiles almost 3 cm thick, allowing a gradual release of heat from the cooking surface for impeccable cooking.



Simple and direct temperature control with the included pyrometer.

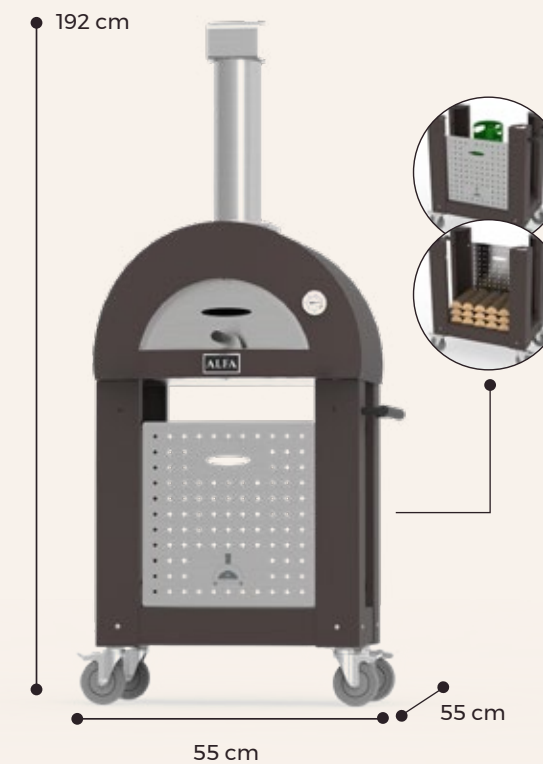
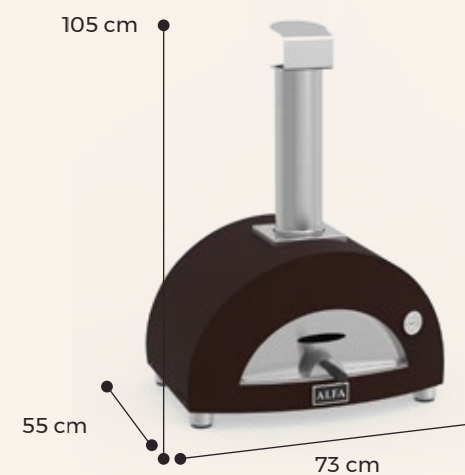


The mouth of the Nano oven is perfect for preventing the escape of heat from the cooking chamber and for being able to comfortably handle pizzas inside the oven.

focus



Technical specifications



Colours: * Alfa Colour Table S.102



Copper

External dimensions:

Top: 73 x 55 x 105h cm

Top + base: 73 x 55 x 192h cm

Cooking surface:

60 x 40 cm

Fuel:

Wood or gas

Temperature

maximum:

500°C

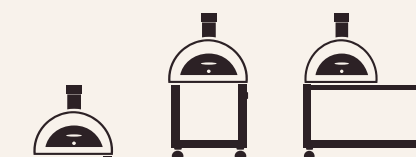
Capacity:

1 pizza | 1-2 kg bread

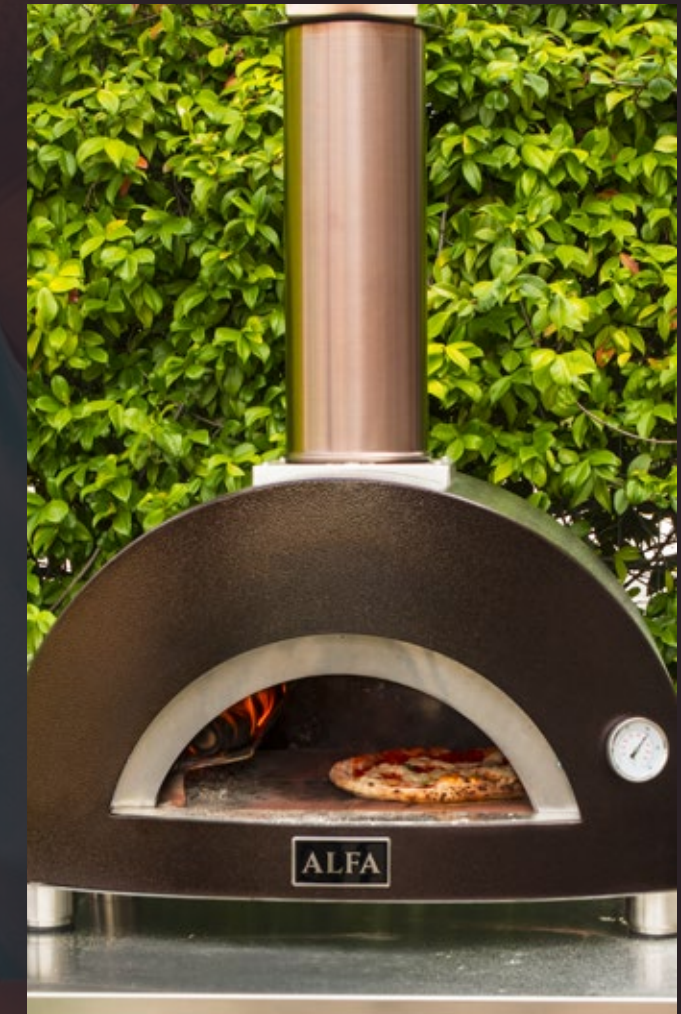
N° people:

from 1 to 10

Available in:



**“The Italian oven
for everyone!”**



ambient

MODERNO LINE

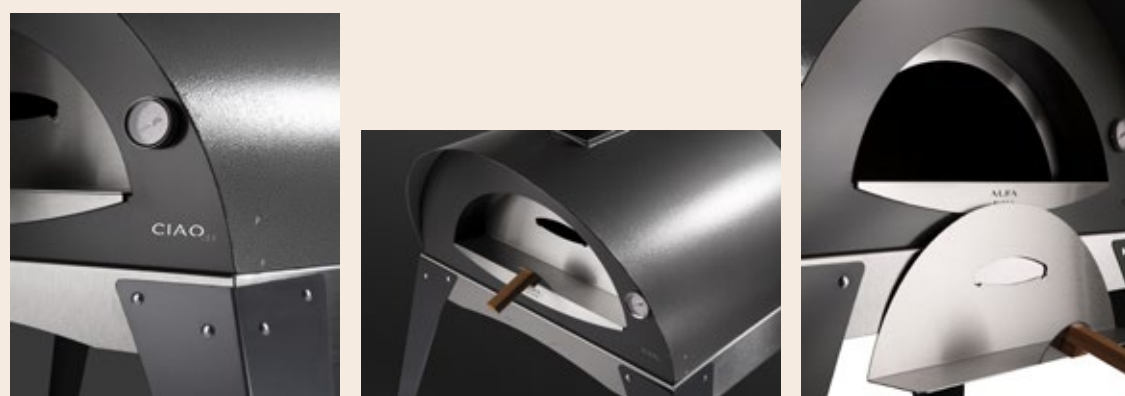
Ciao

Wood-burning oven with refractory surface, light and easy to handle. Thanks to the leg kit with its large wheels, it can easily be moved anywhere.

The leg kit is available in two versions: painted and stainless steel.



details



This oven has a **refractory cooking surface and a stainless steel vault**. It quickly reaches cooking temperatures and lets you control the cooking process at a glance, thanks to the convenient window in the door.

Perfect wood-burning oven for cooking pizza, bread, roasts, grilled meats, foods cooked in crockery, desserts and everything else you love to cook in a traditional oven, with the healthy and genuine features that only wood-fired cooking can offer.





Stainless steel vault insulated with ceramic fibre to **maintain the heat** inside the cooking chamber.



Cooking surface made of interchangeable **refractory tiles** 3 cm thick.



Simple and direct **temperature control** with the included **pyrometer**.

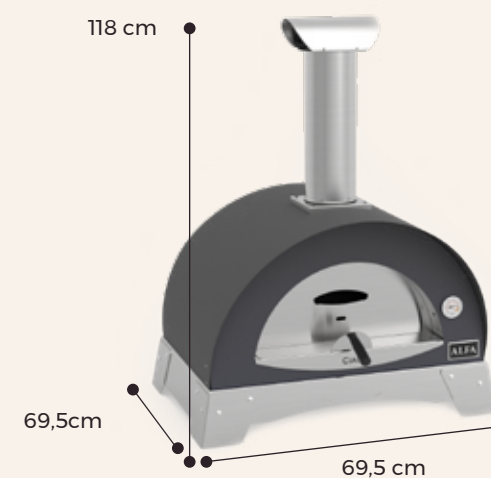


The door has a handle with a **comfortable grip**, allowing you to adjust the draught and easily control the fire inside the oven.

focus



Technical specifications



Colours: * Alfa Colour Table S.102



Silver Gray

External dimensions:

Top: 91 x 69,5 x 118h cm

Top + base: 118 x 85 x 181h cm

Cooking surface:

70 x 40 cm

Fuel:

Wood

Temperature

maximum:

500°C

Capacity:

2 pizzas | 2 kg bread

N° people:

from 8 to 18

Available in:



Take it anywhere.
Real professional
cooking!



ambient

MODERNO LINE

Brio

The "lively" oven you've been looking for to cook real Neapolitan pizza!



Finally Brio! The new 2-pizza gas oven from Alfa Forni. Brio is an oven that **heats up very quickly**, ready to cook the first pizza in just 30 minutes. With the Hybrid accessory, you can cook with both gas and wood!

The Brio oven comes in a top version, so you can place it on an existing table in your garden, install it on its own dedicated base or combine it with the Alfa multi-functional base.





Stainless steel vault insulated with ceramic fibre to **maintain** the heat inside the cooking chamber.



Cooking surface made of interchangeable **refractory tiles** 3 cm thick.



Simple and direct **temperature control** with the included **pyrometer**.

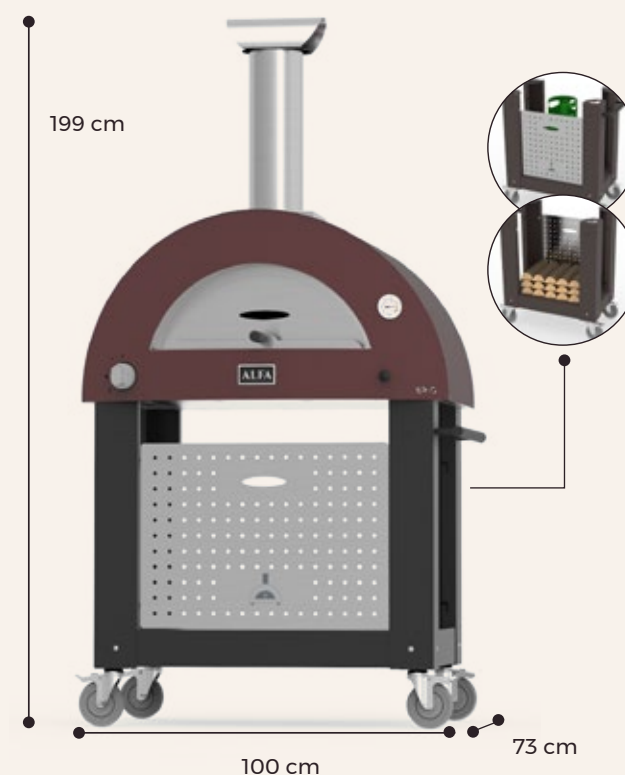


The door has a **handle with a comfortable grip**, allowing you to adjust the draught and easily control the fire inside the oven.

focus



Technical specifications



Colours: *Alfa Colour Table S.102



Antique Red Silver Black

External dimensions:

Top: 100 x 73 x 112h cm

Top + base: 100 x 73 x 199h cm

Cooking surface:

70 x 50 cm

Fuel:

HYBRID > Gas or wood

Temperature maximum:

500°C

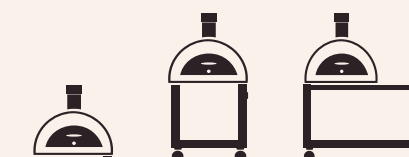
Capacity:

2/3 pizzas | 2/3 kg bread

N° people:

from 1 to 20

Available in:



Give your outdoor meals the right **Brio!**



ambient

MODERNO LINE

Allegro

The largest cooking surface to satisfy the most demanding.



details



Allegro is the **largest oven in Alfa's Forninox range.**

Its size and technical characteristics make it similar to a professional oven. It was designed to meet the daily needs of the family and also of a large number of friends.

With the Allegro **semi-professional oven** for pizzas, the art of wood-fired cooking has no limits.





Stainless steel vault insulated with ceramic fibre to maintain the heat inside the cooking chamber.



Cooking surface made of interchangeable refractory tiles.



Equipped with a pyrometer to monitor the temperature of the oven chamber.



The base of Allegro is black, with large retractable side shelves, a warming compartment and a shelf for wood.

focus



Technical specifications



Colours: * Alfa Colour Table S.102



Antique Red Yellow

External dimensions:

Top: 118 x 102 x 145h cm

Top + base: 118 x 102 x 225h cm

Cooking surface:

100 x 70 cm

Fuel:

Wood

Temperature maximum:

500°C

Capacity:

4/5 pizze | 5 kg pane

N° people:

from 15 to 30

Available in:



The semi-professional oven that **has no limits!**



ambient





ALFA FORNI

CLASSICO Line

Alfa's CLASSICO line is a clever combination of traditional lines and technological innovation. Soft but elaborate curves to embellish any space. An artisan oven perfect for elegant villas and gardens.

The unique patented design of our ovens ensures a comfortable and elegant cooking experience, whether in an outdoor kitchen or in the garden, thanks to materials and technologies that promote excellent resistance to moisture and efficient thermal insulation.



CLASSICO LINE

5 Minuti

Our best-selling wood-burning pizza oven.

It has compact dimensions. It only takes 5 minutes to cook.



details



5 Minuti is a wood-burning oven for balconies, terraces and gardens. Its practical wheels make it easy to move.

It has a refractory top and a stainless steel vault, **reaches cooking temperature quickly (in 5 minutes)** and comes with a new base that is higher than its predecessor, making your work even more comfortable.





The entirely stainless steel vault makes it possible to reach high temperatures with little wood.



Cooking surface made of interchangeable refractory tiles 3 cm thick.



The wood can be neatly stored in the base's shelf and used as required.

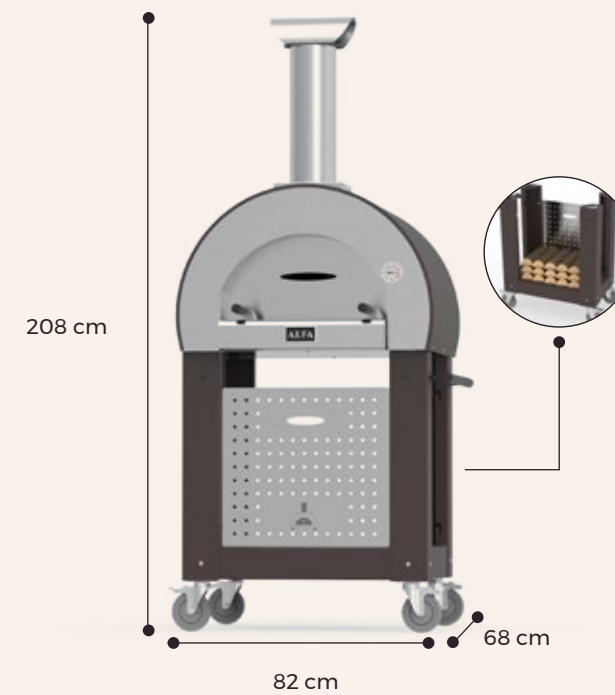
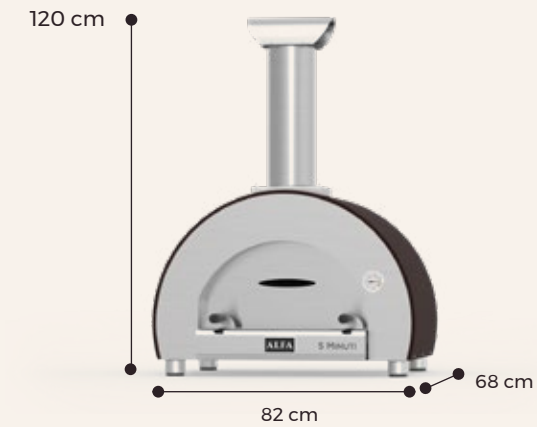


When the door is closed, the flame is weaker and the food is cooked by conduction and convection. When the door is open, the flame is stronger, contributing to making food be browned and crispy.

focus



Technical specifications



Colours: * Alfa Colour Table S.102



Copper

External dimensions:

Top: 82 x 68 x 120h cm

Top+base: 82 x 68 x 208h cm

Cooking surface:

60 x 50 cm

Fuel:

Wood

Temperature

maximum:

500°C

Capacity:

2 pizzas | 2 kg bread

N° people:

from 8 to 18

Available in:



Ready in **5 minutes!**
Impress your friends!



ambient

CLASSICO LINE

4 Pizze

Wood-burning outdoor oven designed for the family.

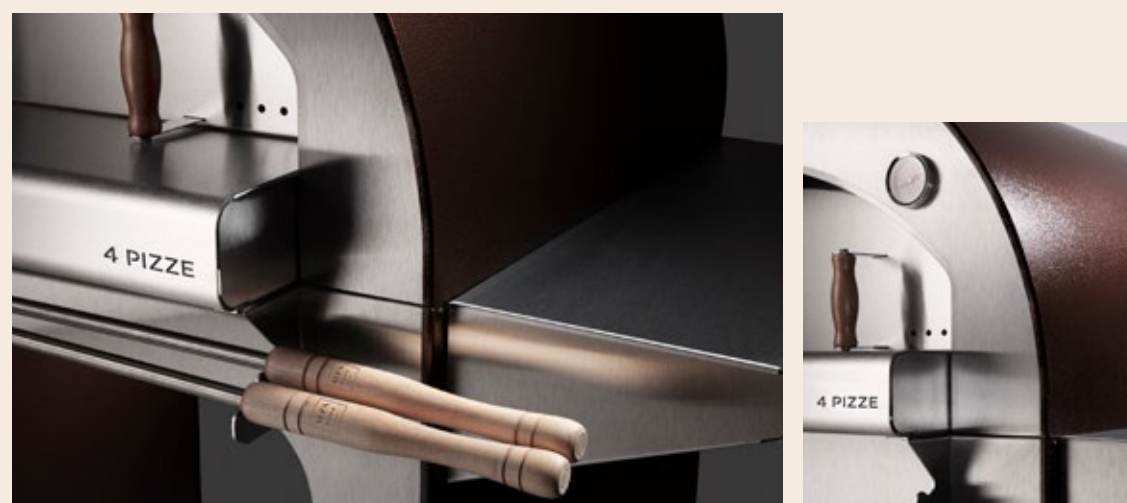


The 4 Pizze wood-burning oven is just the right size to **cook 4 pizzas in 90 seconds** and 4 kg of bread per batch.

Wood-burning outdoor oven that can also be placed on a balcony or terrace.

The free-standing model with its own base comes with **incredibly useful stainless steel side shelves** to allow you to place trays, ingredients, baking dishes and whatever else the cook needs. With the integrated pizza peel holder, the necessary tools for wood-fired cooking are always at hand.

details





Vault made entirely of stainless steel, which allows high temperatures to be reached with limited wood consumption.



The cooking surface is made of 3 cm, interchangeable refractory tiles, which optimally store heat and transmit it to the food being cooked.



The oven comes with a pyrometer to easily check the average temperature in the cooking chamber.

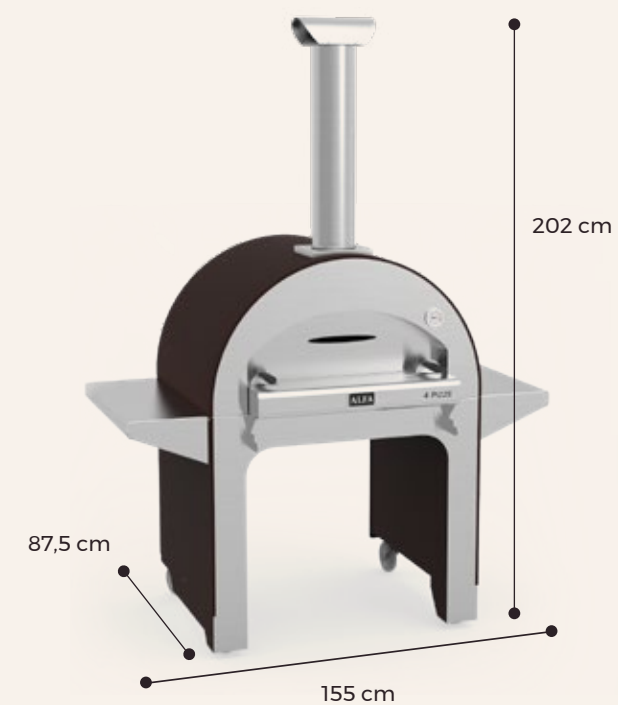
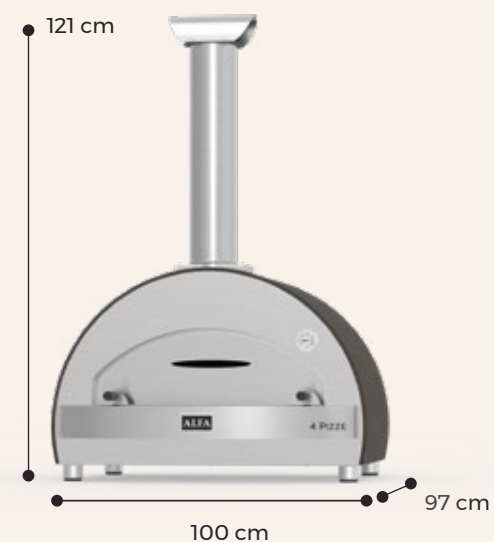


The free-standing model has useful stainless steel side shelves and an integrated pizza peel holder so that the necessary tools are always at hand.

focus



Technical specifications



Colours: * Alfa Colour Table S.102



Copper



Diamond Gray

External dimensions:

Top: 100 x 97 x 121h cm

Top + base: 155 x 87,5 x 202h cm

Cooking surface:

80 x 60 cm

Fuel:

Wood

Temperature

maximum

500°C

Capacity:

4 pizzas | 4 kg bread

N° people:

from 10 to 20

Available in:



Become the **chef in the family** thanks to Alfa!



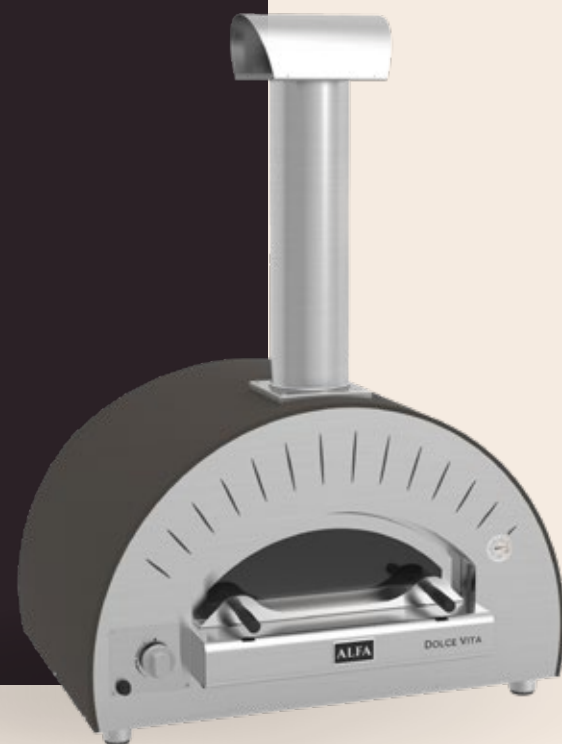
ambient



CLASSICO LINE

Dolce Vita

The largest gas top oven in the Alfa range, essential in your outdoor kitchen.



details



The oven Dolce Vita Top is **the largest gas oven in the domestic range**, perfect for placing it on a table or shelf. Thanks to its classic, established style and essential lines, it fits harmoniously in any outdoor kitchen or terrace.

The timeless design of this gas oven makes it **meet a wide range of cooking needs**. Excellent and fragrant round pizzas as well as pan pizzas, roasted meat and fish; these dishes will make your relaxing moments in the open air delightful.





The internal structure is made of 441 stainless steel, perfect for resisting high temperatures. The exterior is made of 304 scotch brite steel, a material also used in professional kitchens.



The refractory tiles of the cooking surface are entirely made in-house, are interchangeable and store heat, releasing it into the food being cooked.



Thanks to the pyrometer supplied with the oven, you can always check the average temperature of the cooking chamber.



The large glass door allows to cook even when the door is closed and monitor your food as it cooks.

focus



Technical specifications

Colours: *Alfa Colour Table S.102



Diamond Gray

External dimensions:

Top: 111 x 87 x 156h cm

Cooking surface:

80 x 60 cm

Fuel:

HYBRID>Gas or wood

Temperature

maximum:

500°C

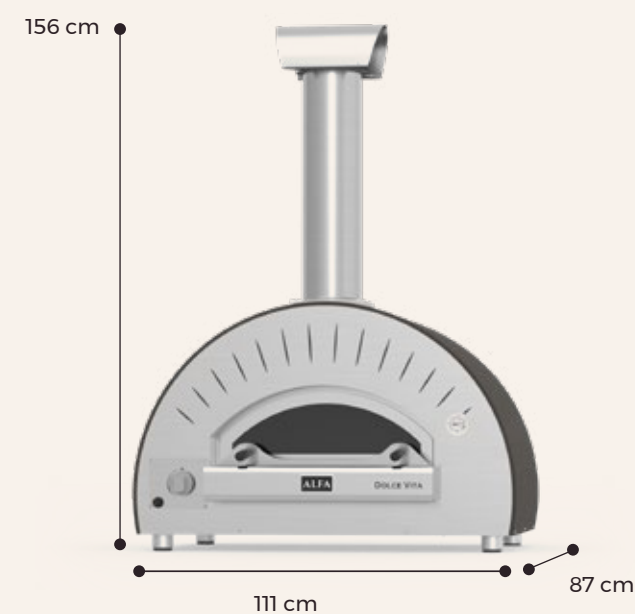
Capacity:

4 pizzas | 4 kg bread

N° people:

from 10 to 20

Available in:



Its **only limit** will
be your **culinary**
imagination!



ambient



ALFA FORNI

FUTURO Line

Alfa's **FUTURO** line is specially designed for outdoor kitchens. The design, structure and front in stainless steel make it ideal to pair with your grill or other cooking equipment.

Alfa Forni's evolution lies in the design, innovation and **versatility** of its ovens.

The FUTURO line **allows all types of cooking** and thanks to its capacity, it's ideal for the whole family to eat in little time.



FUTURO LINE

Stone Oven

Designed and Made in Italy with over 40 years of know-how in direct cooking.



Details



The gas Stone Oven oven is the result of a **new Alfa Forni concept that combines design and innovation** in the brand new stainless steel front arch. Thanks to the Hybrid accessory, you can cook everything from pizza to meat, vegetables and desserts with both gas and wood.

The Stone Oven makes it easy to organise parties at home. **The stainless steel vault speeds up the ignition time like no other gas oven** on the market; it's ready to cook in just 30 minutes!





Stainless steel front and large glass door for monitoring the food being cooked.



The cooking surface is made entirely in Alfa Forni with our over 40 years of Made in Italy expertise, with 8 cm insulation.



The 0-500° pyrometer measures the average temperature of the cooking chamber.



Equipped with comfortable feet that can be adjusted by up to 7 cm, the Stone Oven is an outdoor oven that cooks up to two 28-cm pizzas at a time in just 90 seconds.



Technical specifications

Colour: * Alfa Colour Table S.102



Copper

External dimensions:

Top: 100 x 63,8 x 123h cm

Cooking surface:

70 x 40 cm

Fuel:

HYBRID > Gas or wood

Temperature

maximum:

500°C

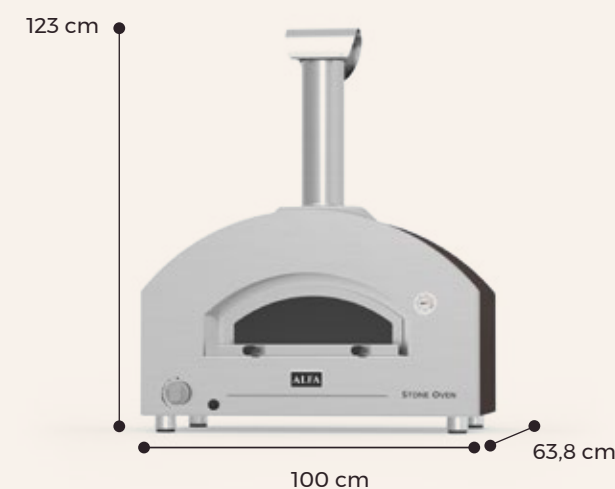
Capacity:

4 pizzas | 4 kg bread

N° people:

from 2 to 18

Available in:



The **future of pizza**
made just like in a
pizzeria!



MODERNO Line



Nano

Top: 73 x 55 x 105h cm
Top+base: 73 x 55 x 192h cm



Ciao

Top: 91 x 69,5 x 118h cm
Top+base: 118 x 85 x 181h cm



Brio

Top: 100 x 73 x 112h cm
Top+base: 100 x 73 x 199h cm



Allegro

Top: 118 x 102 x 145h cm
Top+base: 118 x 102 x 225h cm



CLASSICO Line



5 Minuti

Top: 82 x 68 x 120h cm
Top+base: 82 x 68 x 208h cm



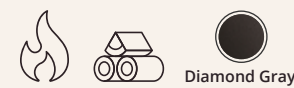
4 Pizze

Top: 100 x 97 x 121h cm
Top+base: 155 x 87,5 x 202h cm



Dolce Vita

Top: 111 x 87 x 156h cm

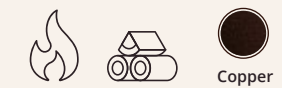


FUTURO Line



Stone Oven

Top: 100 x 63,8 x 123h cm



04

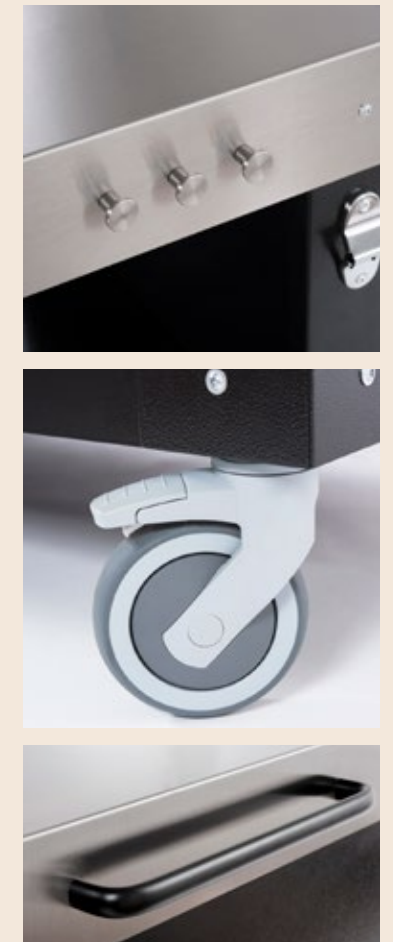
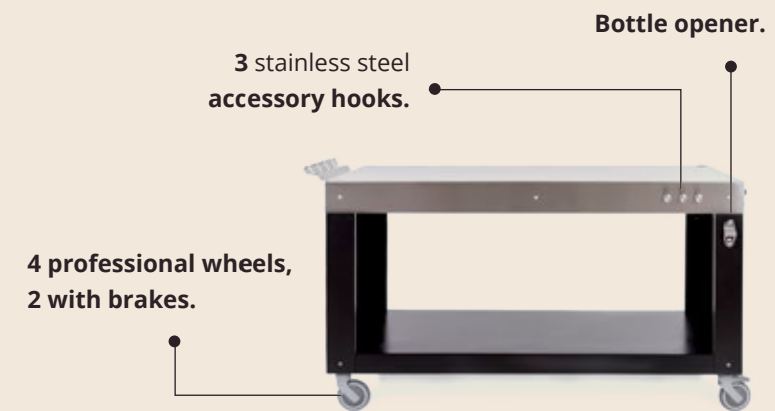
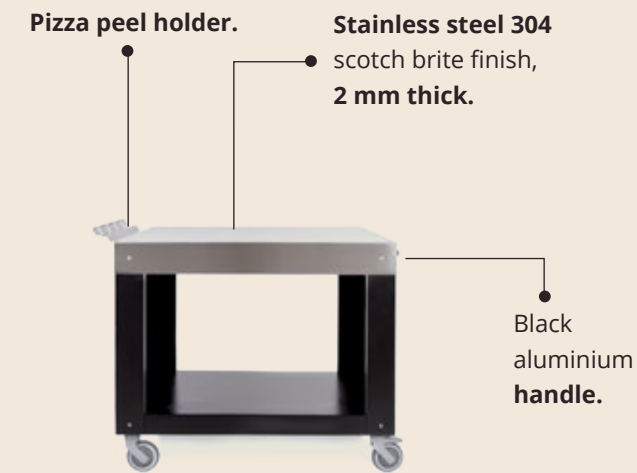
ACCESSORIES AND COMPLEMENTS

The **tools** of the trade.

To get the most out of your wood-fired oven, Alfa Forni has put together a complete catalogue of accessories to make preparing and cooking food easier, letting you serve dishes full of flavour and tradition.

Alfa accessories will ensure that you **always have the right tools at the right time**. All the tools in the Kits are certified for food use and selected according to the highest quality standards.





ACCESSORIES AND COMPLEMENTS

Multi-functional **base**

Multi-functional pizza base that serves as a **station for preparing pizzas** and as a **base** for ALFA top ovens.

Available in the following versions: 100 cm - 130 cm - 160 cm.

*The 130 and 160 cm models include a cylinder cover bulkhead and two umbrella holes.

Protect your oven with **Alfa Covers!**





- 1 RAKE PEEL**
The **ember rake** lets you manage the cooking floor. Use it to move ash, embers and wood safely.
- 2 TURNER PEEL**
The **turner peel** is used to turn pizzas while they are cooking.
- 3 BRUSH PEEL**
The **brush peel** has brass bristles that make cleaning the refractory surface more effective without scratching it.
- 4 PIZZA PEEL**
Peel for putting uncooked pizza in the oven, with holes to allow excess flour to fall out.
- 5 WOODEN CUTTING BOARD**
The **wooden cutting board made of food-grade spruce** allows you to follow the grooves to cut pizzas into equal parts.
- 6 LASER THERMOMETER**
The **infrared thermometer** makes it easy to read the temperature at every point of the cooking surface
- 7 OVEN MITT**
Heat resistant glove in continuous-filament, 100% cotton bouclé yarn.
- 8 BREAD SPATULAS**
Asymmetrical peel for easily gripping bread.
- 9 PIZZA CUTTER**
Pizza cutting wheel with an ergonomic handle and removable steel blade.
- 10 ALFA APRON**
With the ALFA apron, everyone will know that **you're the chef.**
- 11 COOKBOOK**
Lots of **recipes for your wood-burning oven.** Developed by the chefs of the Alfa team.
- 12 PIZZA DOUGH BOX**
The box ensures the proper air conditions for the **dough rising process.**

ACCESSORIES AND COMPLEMENTS

Kit Pizzaiolo

The Kit Pizzaiolo includes **all the tools you need to prepare and roll out pizza dough, bake and serve it.**



RAKE PEEL

Ember rake: made of stainless steel, it lets you safely move ash, embers and burning wood.

TURNER PEEL

Turner peel: light, robust and handy, it is used to turn pizzas while they cook.

BRUSH PEEL

Brush peel: brass bristles that make cleaning the refractory surface more effective without scratching it.

PERFORATED PEEL

Peel for putting uncooked pizza in the oven, with holes to allow excess flour to fall out.

HANDLES AND EXTENSIONS

Anodised aluminium tubular handles and duroplast grips.



ACCESSORIES AND COMPLEMENTS

Professional peel set

The new pizza peels **designed by Alfa** are the result of more than a year's research by the R&D team: **all the peels can be unscrewed and screwed together** if necessary using universal extensions, starting from 95 cm up to the desired length.



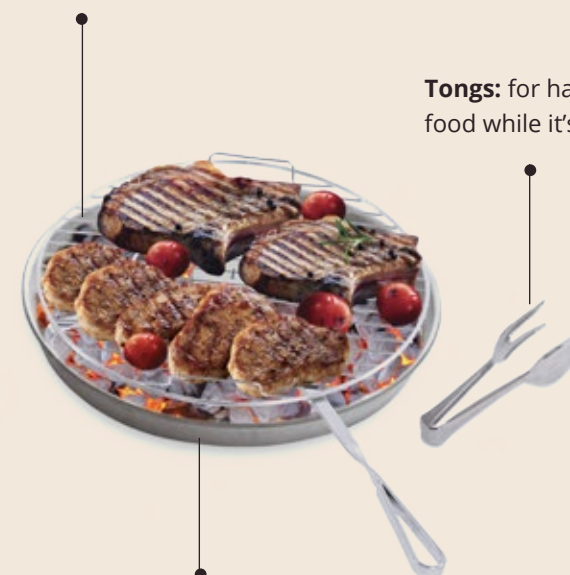
Vela peel holder

In addition to being convenient and functional, the Vela peel holder is an accessory with a refined and innovative shape that perfectly adapts to the interior and exterior of your home.



Rotating grill: allows you to adjust the cooking time, moving food with a simple gesture.

Tongs: for handling food while it's cooking.



Tray: sized to the grill to protect the cooking surface, ideal for melting excess fat during cooking.



ACCESSORIES AND COMPLEMENTS

BBQ 500

With "BBQ 500", your Alfa oven becomes a barbecue with the power and control to cook with a flame and embers, up to 500°C, in both gas and wood-fired ovens.

Available in the following versions: 30 cm - 37 cm.



4 heat sources!

- 1 Open flame
- 2 Hot embers
- 3 Enveloping dome
- 4 Hot brick



WOOD HOLDER:
It contains the firebox, passing the proper amount of air for combustion and keeps the cooking surface clean.

BURNER LID
A special lid for the gas burner, which prevents damaging the gas supply system when using the oven with wood.



ACCESSORIES AND COMPLEMENTS

Kit Hybrid

The Alfa Forni patented kit makes it possible to **use your gas oven with wood:** cover the burner on the left with the special burner lid to protect it from soot and the heat of the flame, and use the wood guard on the right to keep the wood on the side.

Alfa Wood holder

The advantages of using the Alfa wood holder are:

- Quick and easy flame ignition thanks to the increased passage of air under the wood.
- Easy cleaning during use of the wood-burning oven
- Functional and elegant design, with perforated Alfa logo.
- Made of high-quality steel.
- Available in 37 or 59 cm versions.

05

TECHNICAL INFORMATION

Index Technical Data Sheets

p **102** Alfa Colour Table
Domestic Ovens

p **104** Technical Data Sheet
Nano

p **106** Technical Data Sheet
Ciao

p **108** Technical Data Sheet
Brio

p **110** Technical Data Sheet
Allegro

p **112** Technical Data Sheet
5 Minuti

p **114** Technical Data Sheet
4 Pizze

p **116** Technical Data Sheet
Dolce Vita

p **118** Technical Data Sheet
Stone Oven

p **120** Comparative table
Alfa ovens in comparison

TECHNICAL INFORMATION

Colours Table

Domestic Ovens



Copper



Antique Red



Diamond Gray



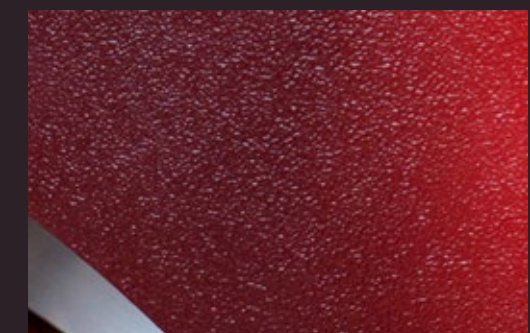
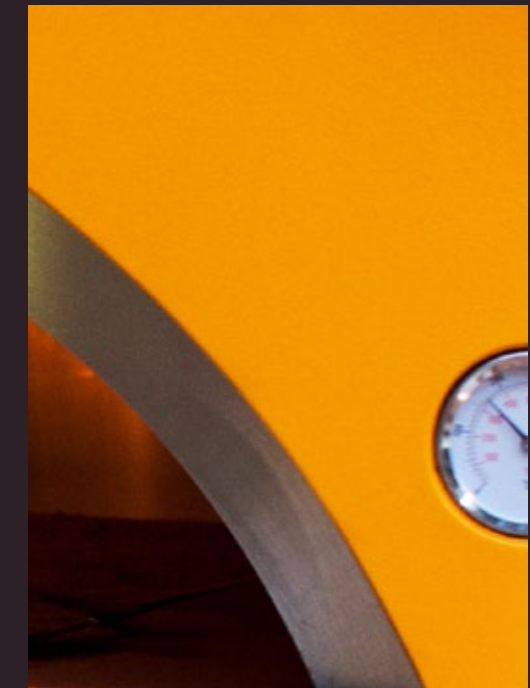
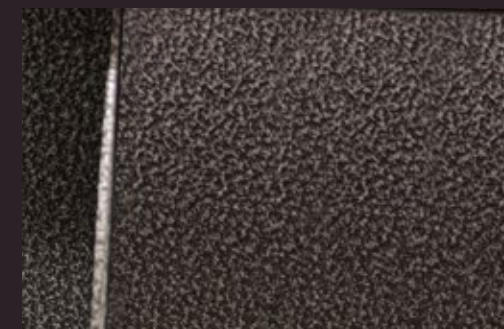
Silver Gray



Yellow



Silver Black





Nano

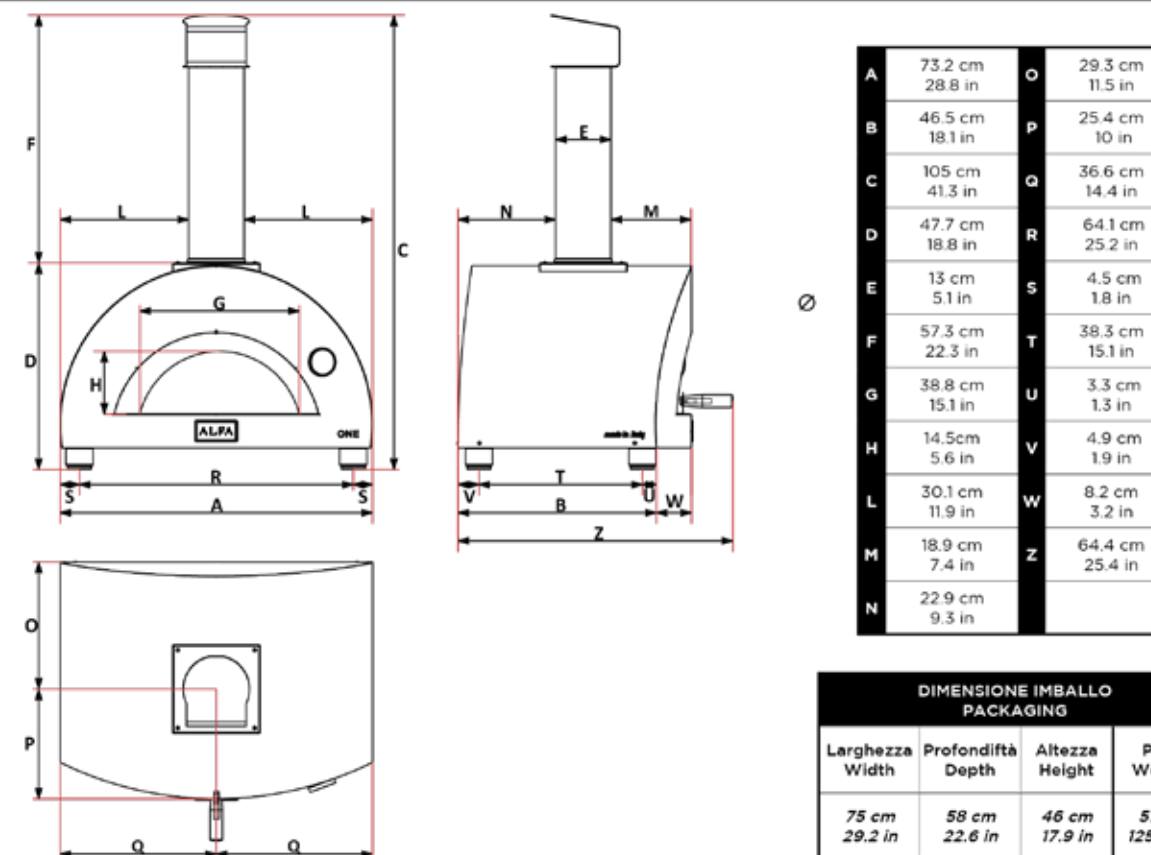


Copper

CARATTERISTICHE TECNICHE - TECHNICAL DETAILS

Peso Weight	54 kg 119 lbs	Materiali utilizzati Used material	lamiera ferro. acciaio inox. fibra ceramica iron sheet. stainless steel. ceramic fiber
Area piano forno Oven floor area	0.24 m ² 2.6 ft ²	Tipo di refrattario Type of refractory	Tavella silico-alluminoso Alumina silicate bricks
Dim. piano forno Oven floor dim.	60 x 40 cm 23.6 x 15.7 in	Combustibile consigliato Recommended fuel	Ciocchi diam. Max 5 cm, potature Max 1.9 in diam. logs. trimmings
Minuti per scaldare Heating time (min)	10	Carica nominale Rated charge	6.9 kg/h 15.2 Lbs/h
N° pizze alla volta Pizza capacity	1	Tiraggio minimo Minimum flue draught	10 Pa
Infornata di pane Bread capacity	1 kg 2.2 lbs	Flusso volumetrico fumi Flue smokes mass flow	57.7 g/s
Temperatura massima Max oven temperature	500°C 1000°F	Emissioni CO al 13% O ₂ CO emission at 13% O ₂	0.31% 3843 mg/Nm ³
Consumo medio Average fuel consumption	2.5 kg/h 5.5 lbs/h	Temperatura fumi Smoke temperature	395°C 743°F

MISURE - DIMENSIONS



PARTI DI RICAMBIO - SPARE PARTS

Descrizione Description		Codice Code
Comignolo Chimney cap	A	SML-03-0221
Canna fumaria Chimney	B	TI130_500_SAT
Sportello Door	G	SSML-03-0224
Flangia Flange	H	SML-03-0220
Carter esterno External shell	I	SCRT-03-0133-RA
Termometro Thermometer	J	YT63-135
Mattoni 30x20 cm Red bricks 30x20 cm	K	RRA3020
Gasbeton	L	D10GASB-D300
Piedini Feet (n.4)	M	SETPIE-M10X20
Logo Alfa (v1.0)	N	D14PLAC-ALFA
Paletta Peel	O	SSML-02-0225
Paralegna Wood holder	P	SML-03-0222





Ciao

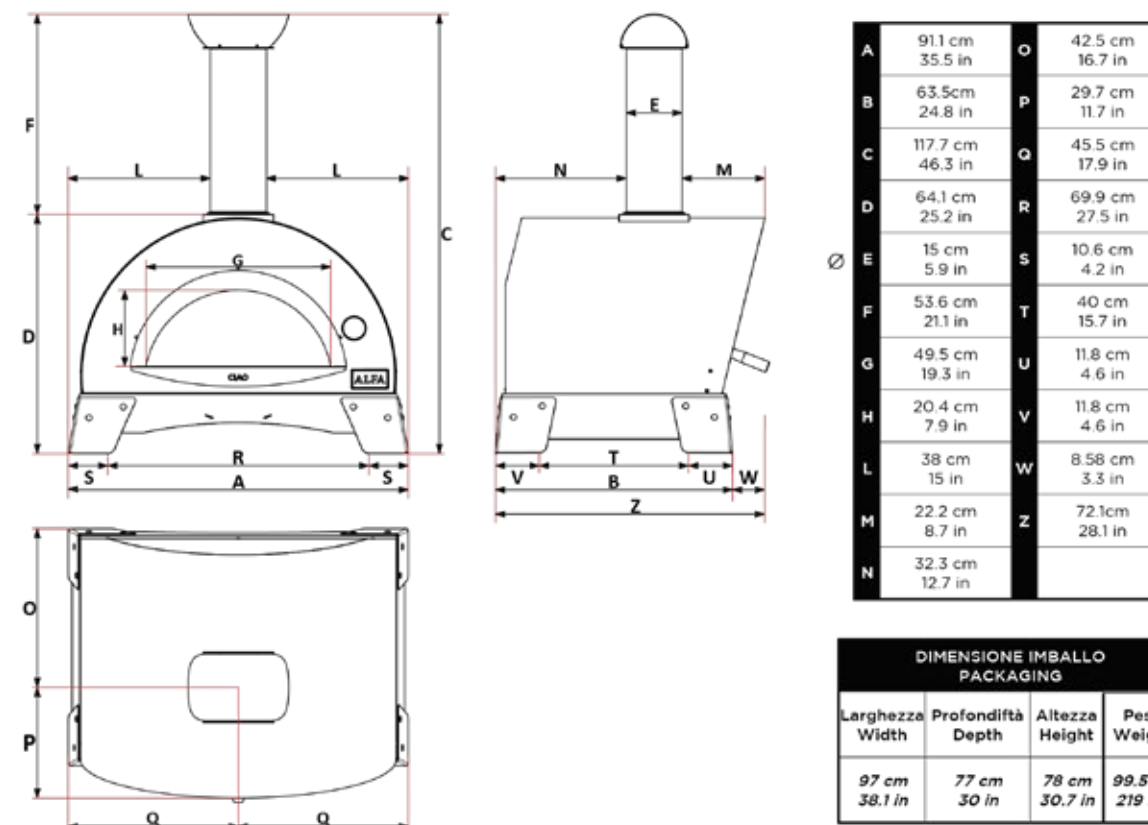


Silver Gray

CARATTERISTICHE TECNICHE - TECHNICAL DETAILS

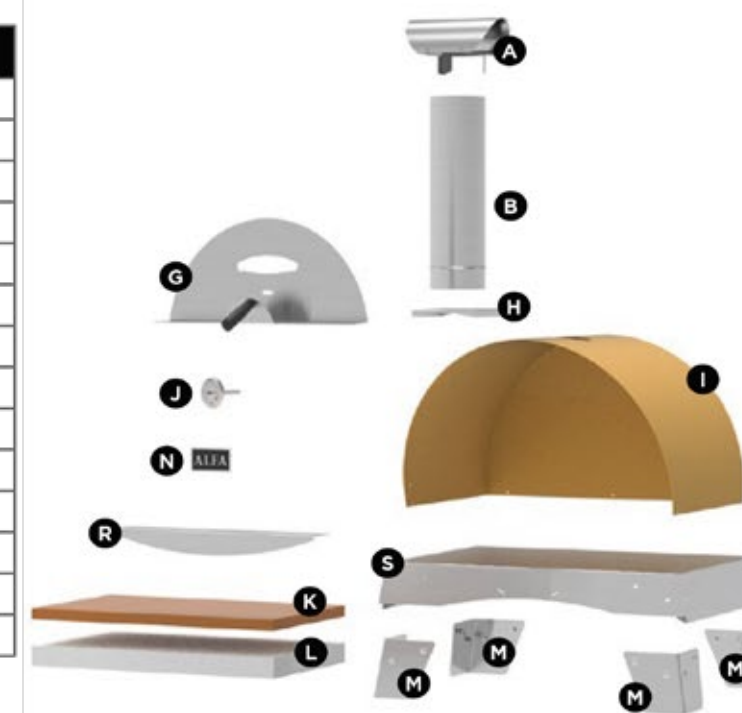
Peso Weight	85.5 kg 188 lbs	Materiali utilizzati Used material	lamiera ferro. acciaio inox. fibra ceramica iron sheet. stainless steel. ceramic fiber
Area piano forno Oven floor area	0.28 m ² 3 ft ²	Tipo di refrattario Type of refractory	Tavella silico-alluminoso Alumina silicate bricks
Dim. piano forno Oven floor dim.	70 x 40 cm 27.5 x 15.7 in	Combustibile consigliato Recommended fuel	Ciocchi diam. Max 5 cm. potature Max 1.9 in diam. logs. trimmings
Minuti per scaldare Heating time (min)	15	Carica nominale Rated charge	6.9 kg/h 15.2 Lbs/h
N° pizze alla volta Pizza capacity	2	Tiraggio minimo Minimum flue draught	10 Pa
Infornata di pane Bread capacity	2 kg 4.4 lbs	Flusso volumetrico fumi Flue smokes mass flow	57.7 g/s
Temperatura massima Max oven temperature	500°C 1000°F	Emissioni CO al 13% O₂ CO emission at 13% O ₂	0.31% 3843 mg/Nm ³
Consumo medio Average fuel consumption	2.5 kg/h 5.5 lbs/h	Temperatura fumi Smoke temperature	395°C 743°F

MISURE - DIMENSIONS



PARTI DI RICAMBIO - SPARE PARTS

Descrizione Description		Codice Code
Comignolo Chimney cap	A	SPZP_01_024
Canna fumaria Chimney	B	TI150_500_SAT
Sportello Door	G	SSML_01_0150
Flangia Flange	H	SPZP_01_050
Carter esterno External shell	I	SCRT-01-028-GRI
Carter esterno External shell	I	SCRT-01-028-GIA
Termometro Thermometer	J	YT63-135
Mattoni 40x20 cm Red bricks 40x20 cm	K	RRA-4020
Mattoni 50x20 cm Red bricks 50x20 cm	K	RRA-5020
Gasbeton	L	DI0GASB-D300
Piedini Feet (n.4)	M	PZP-01-070/71
Logo Alfa (v1.0)	N	DI4PLAC-ALFA
Devanzale Sill	R	SSML-01-049
Vasca camera	S	SCMB-01-028





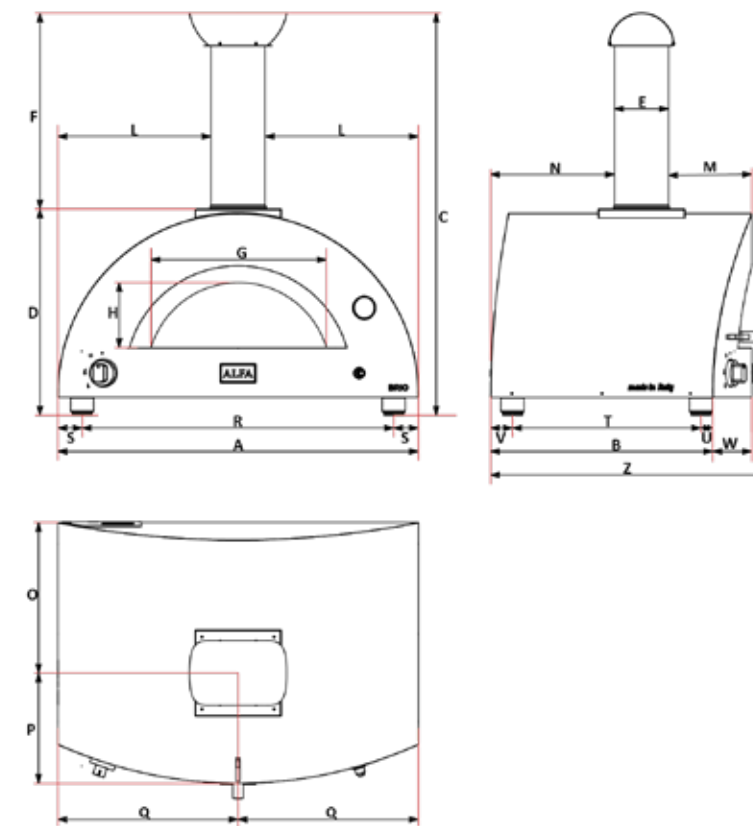
Brio



CARATTERISTICHE TECNICHE - TECHNICAL DETAILS

Peso Weight	90 kg 198 lbs	Materiali utilizzati Used material	lamiera ferro, acciaio inox, fibra ceramica iron sheet, stainless steel, ceramic fiber
Area piano forno Oven floor area	0.35 m ² 3.77 ft ²	Tipo di refrattario Type of refractory	Tavella silico-alluminoso Alumina silicate bricks
Dim. piano forno Oven floor dim.	70 x 50 cm 27.5 x 19.7 in	Combustibile consigliato Recommended fuel	Gas GPL (G30 / G31) LPG gas (G30 / G31)
Minuti per scaldare Heating time (min)	30	Categoria gas Gas category	I3+ GPL
N° pizze alla volta Pizza capacity	2 - 3	Potenza nominale Heat capacity	15 kW 71.655 Btu/h
Infornata di pane Bread capacity	2- 3 kg 4.4 - 6.6 lbs	Funzionamento a G30 / G31 G30 / G31 operation	28.30 / 37 mbar
Temperatura massima Max oven temperature	500°C 1000°F	Consumo Massimo Maximum consumption	1.09 / 1.07 kg/h

MISURE - DIMENSIONS



A	100 cm 39.4 in	O	41.8 cm 16.5 in
B	61.2 cm 23.9 in	P	30.6 cm 12 in
C	111.6 cm 43.9 in	Q	50 cm 19.7 in
D	57.2 cm 22.5 in	R	86.4 cm 34 in
Ø E	15 cm 5.9 in	S	6.8 cm 2.7 in
F	54.4 cm 21.4 in	T	52.3 cm 20.6 in
G	48.5 cm 18.9 in	U	3.3 cm 1.3 in
H	17.9 cm 6.9 in	V	6.1 cm 2.4 in
L	46.9 cm 18.5 in	W	10.8 cm 4.2 in
M	23.1 cm 9.1 in	Z	76.9 cm 30.3 in
N	34.4 cm 13.5 in		

DIMENSIONE IMBALLO PACKAGING

Larghezza Width	Profondità Depth	Altezza Height	Peso Weight
108 cm 42.5 in	77 cm 30.3 in	64 cm 25 in	104.5 Kg 230 lbs

PARTI DI RICAMBIO - SPARE PARTS

Descrizione Description	Codice Code
Comignolo Chimney cap	A SSML-1-9401
Canna fumaria Chimney	B TI150_500_SAT
KIT GAS 15kW	C SALI-1-2203
Carter laterale gas Side gas cover	D SCRT-3-2204 SB/RO
Manopola gas Gas knob	E D14MANO-70P
Generatore elettrico Electric generator	F GENELPOO3IG
Cavo elettrico Electrical cable	F CAVO-AT
Sportello Door	G SSML-2-22016
Flangia Flange	H SML-2-22012
Carter esterno External shell	I SCRT-1-2203 SB/RO
Termometro Thermometer	J YT63-135
Mattoni 50x20 cm Red bricks 50x20 cm	K RRA5020
Fibrablock	L D16BLOK-5070
Piedini Feet (n.4)	M SETPIE-MIOX20
Logo Alfa (v1.0)	N D14PLAC-ALFA





Allegro



MISURE - DIMENSIONS

A	118.3 cm 46.6 in	O	69.45 cm 23.8 in
B	84.8 cm 33 in	P	32.55 cm 12.8 in
C	149 cm 58.7 in	Q	59.15 cm 23.3 in
D	64.7 cm 25.5 in	R	96 cm 37.8 in
E	18 cm 7.1 in	S	11.5 cm 4.4 in
F	84.3 cm 33.2 in	T	75 cm 29.5 in
G	58 cm 22.6 in	U	2.9 cm 1.1 in
H	19.5 cm 7.6 in	V	6.9 cm 2.7 in
L	50.15 cm 19.7 in	W	17.2 cm 6.7 in
M	23.55 cm 9.3 in	Z	102 cm 40.2 in
N	60.45 cm 23.8 in		

DIMENSIONE IMBALLO PACKAGING			
Larghezza Width	Profondità Depth	Altezza Height	Peso Weight
125.5 cm 49.4 in	109.5 cm 43.1 in	85 cm 33.5 in	182 Kg 400 lbs

PARTI DI RICAMBIO - SPARE PARTS

Descrizione Description		Codice Code
Comignolo Chimney cap	A	S6PZ_01_025
Canna fumaria Chimney	B	T1180_750_SAT
Sportello Door	G	S6PZ_01_021
Flangia Flange	H	SML_03_0182
Carter esterno Giallo External shell Yellow	I	SCRT-01-029-GI
Carter esterno Rosso External shell Red	I	SCRT-01-029-RO
Termometro Thermometer	J	YT63-135
Mattoni 30x20 cm Red bricks 30x20 cm	K	RRA3020
Mattoni 40x20 cm Red bricks 40x20 cm	K	RRA4020
Gasbeton	L	FCGSB602515
Piedini Feet (n.4)	M	SETPIE-M10X20
Logo Alfa (v1.0)	N	D14PLAC-ALFA



CARATTERISTICHE TECNICHE - TECHNICAL DETAILS

Peso Weight	156 kg 343lbs	Materie utilizzati Used material	lamiera ferro. acciaio inox. fibra ceramica iron sheet. stainless steel. ceramic fiber
Area piano forno Oven floor area	0.7 m ² 7.43 ft ²	Tipo di refrattario Type of refractory	Tavella silico-alluminoso Alumina silicate bricks
Dim. piano forno Oven floor dim.	100 x 70 cm 39.3 x 27.5 in	Combustibile consigliato Recommended fuel	Ciocchi diam. Max 5 cm. potature Max 1.9 in diam. logs. trimmings
Minuti per scaldare Heating time (min)	20	Carica nominale Rated charge	8.3 kg/h 18.3 Lbs/h
N° pizze alla volta Pizza capacity	5	Tiraggio minimo Minimum flue draught	11 Pa
Infornate di pane Bread capacity	5 kg 11 lbs	Flusso volumetrico fumi Flue smokes mass flow	49.6 g/s
Temperatura massima Max oven temperature	500°C 1000°F	Emissioni CO al 13% O ₂ CO emission at 13% O ₂	0.35% 4444 mg/Nm ³
Consumo medio Average fuel consumption	5 kg/h 11 lbs/h	Temperatura fumi Smoke temperature	387°C 728°F



5 Minuti

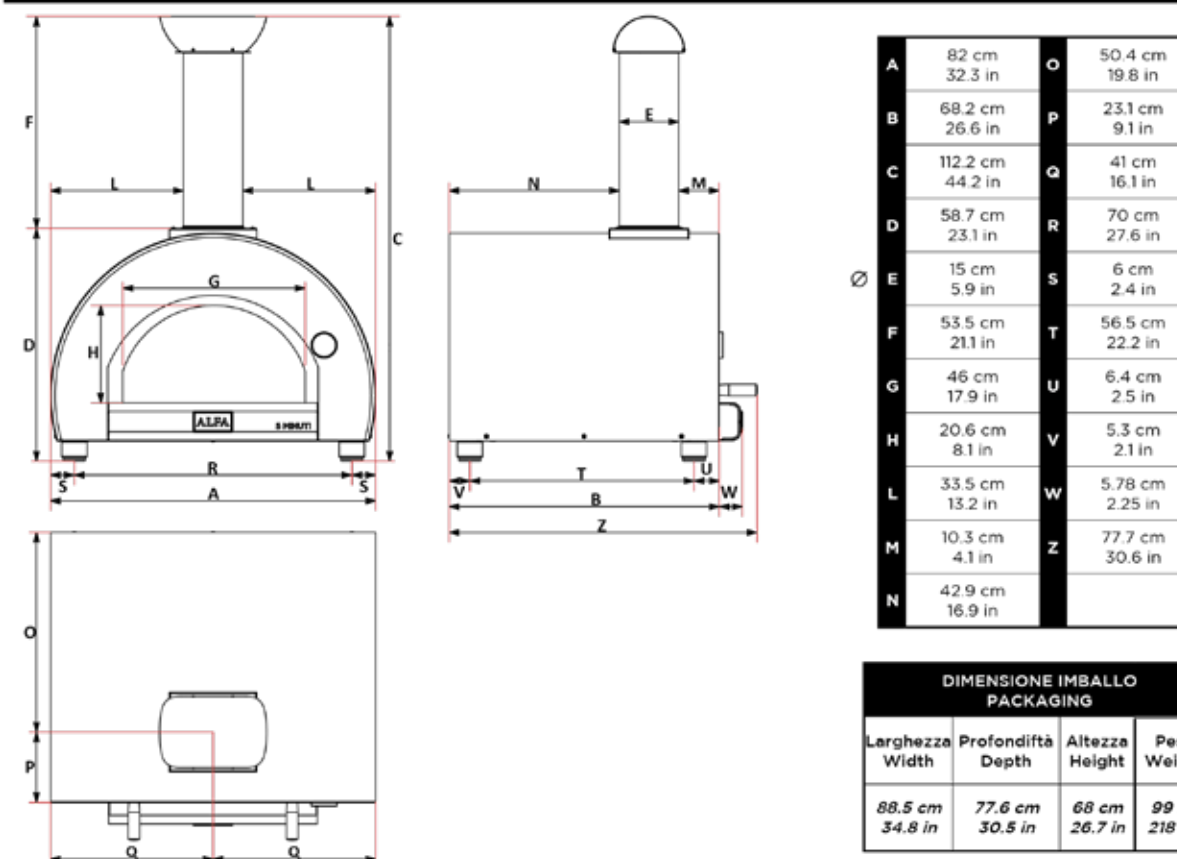


Copper

CARATTERISTICHE TECNICHE - TECHNICAL DETAILS

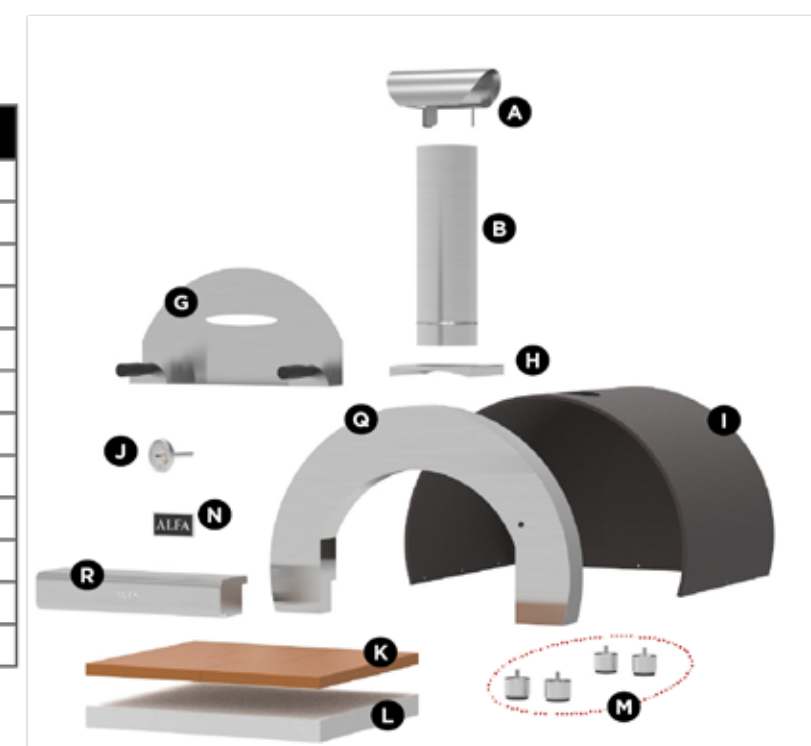
Peso Weight	86 kg 188 lbs	Materiali utilizzati Used material	lamiera ferro. acciaio inox. fibra ceramica iron sheet. stainless steel. ceramic fiber
Area piano forno Oven floor area	0.32 m ² 3.2 ft ²	Tipo di refrattario Type of refractory	Tavella silico-alluminoso Alumina silicate bricks
Dim. piano forno Oven floor dim.	60 x 50 cm 23.6 x 19.6 in	Combustibile consigliato Recommended fuel	Ciocchi diam. Max 5 cm. patate Max 1.9 in diam. logs. trimmings
Minuti per scaldare Heating time (min)	15	Carica nominale Rated charge	6.9 kg/h 15.2 Lbs/h
N° pizze alla volta Pizza capacity	2	Tiraggio minimo Minimum flue draught	10 Pa
Informata di pane Bread capacity	2 kg 4.4 lbs	Flusso volumetrico fumi Flue smokes mass flow	57.7 g/s
Temperatura massima Max oven temperature	500°C 1000°F	Emissioni CO al 13% O₂ CO emission at 13% O ₂	0.31% 3843 mg/Nm ³
Consumo medio Average fuel consumption	2.5 kg/h 5.5 lbs/h	Temperatura fumi Smoke temperature	395°C 743°F

MISURE - DIMENSIONS



PARTI DI RICAMBIO - SPARE PARTS

Descrizione Description		Codice Code
Comignolo Chimney cap	A	SPZP_01_024
Canna fumaria Chimney	B	TI150_500_SAT
Sportello Door	G	SFMN_01_031
Flangia Flange	H	SFMN_01_070
Carter esterno External shell	I	SCRT-01-027-RA
Termometro Thermometer	J	YT63-135
Mattoni 30x20 cm Red bricks 30x20 cm	K	RRA3020
Gasbeton	L	FCGSD60-2515
Piedini Feet (n.4)	M	SETPIE-M10X20
Logo Alfa (v1.0)	N	D14PLAC-ALFA
Archetto Arch	Q	SSML-01-045
Davanzale Sill	R	SSML-01-046





4 Pizze



Copper Diamond Gray

CARATTERISTICHE TECNICHE - TECHNICAL DETAILS

Peso Weight	176 kg 387 lbs	Materiali utilizzati Used material	lamiera ferro, acciaio inox, fibra ceramica iron sheet, stainless steel, ceramic fiber
Area piano forno Oven floor area	0.48 m ² 5.16 ft ²	Tipo di refrattario Type of refractory	Tavella silico-alluminoso Alumina silicate bricks
Dim. piano forno Oven floor dim.	80 x 60 cm 31.5 x 23.6 in	Combustibile consigliato Recommended fuel	Gas GPL (G30 / G31) LPG gas (G30 / G31)
Minuti per scaldare Heating time (min)	15	Categoria gas Gas category	I3+ GPL
N° pizze alla volta Pizza capacity	4	Potenza nominale Heat capacity	24 kW 81.891 Btu/h
Infornata di pane Bread capacity	4 kg 8.8 lbs	Funzionamento a G30 / G31 G30 / G31 operation	28.30 / 37 mbar 11 in WC
Temperatura massima Max oven temperature	500°C 1000°F	Consumo Massimo Maximum consumption	1.35/1.32 kg/h

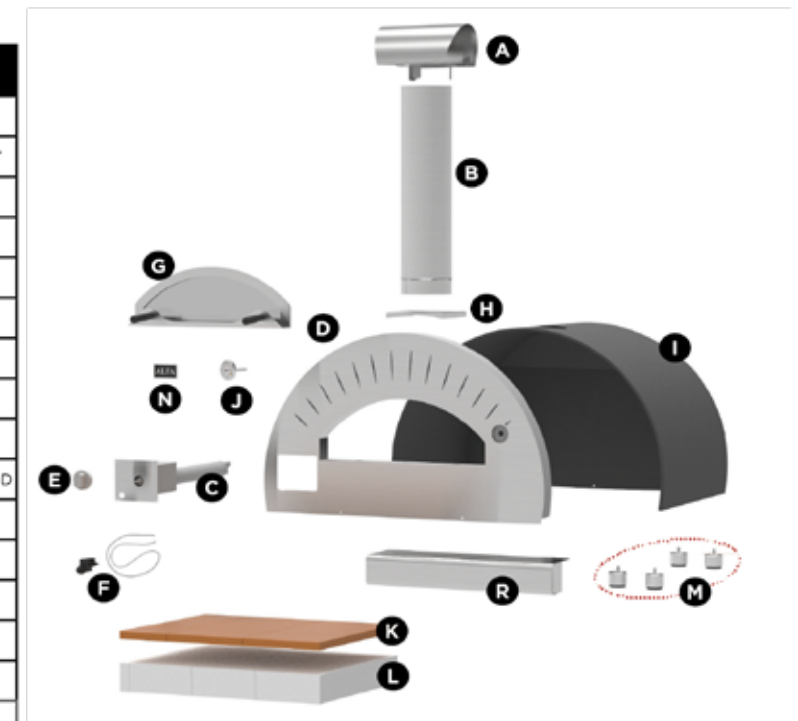
MISURE - DIMENSIONS

A	115 cm 45.3 in	O	60.5 cm 23.8 in
B	79.3 cm 30.9 in	P	18.9 cm 7.4 in
C	159.2 cm 62.7 in	Q	57.5 cm 22.6 in
D	75.2 cm 29.6 in	R	99.4 cm 39.1 in
E	18 cm 7.1 in	S	7.8 cm 3.1 in
F	84 cm 33.1 in	T	65 cm 25.6 in
G	63 cm 24.5 in	U	6.5 cm 2.6 in
H	21.8 cm 8.5 in	V	7.8 cm 3.1 in
L	48.5 cm 19.1 in	W	10.2 cm 3.9 in
M	9.9 cm 3.9 in	Z	89.6 cm 35.3 in
N	51.5 cm 20.3 in		

DIMENSIONE IMBALLO PACKAGING			
Larghezza Width	Profondità Depth	Altezza Height	Peso Weight
121 cm 47.2 in	95 cm 37 in	90 cm 35.1 in	204.5 Kg 450 lbs

PARTI DI RICAMBIO - SPARE PARTS

Descrizione Description		Codice Code
Comignolo Chimney cap	A	S6PZ-01-025
Canna fumaria Chimney	B	TI_180_750_SAT
KIT GAS 24kW	C	SALI-01-016
Archetto Arch	D	SSML-01-055
Manopola gas Gas knob	E	D14MANO-70
Generatore elettrico Electric generator	F	GENELP003IQ
Cavo elettrico Electrical cable	F	CAVO-AT
Sportello Door	G	SQUA-01-149
Flangia Flange	H	SQUA-01-014
Carter esterno External shell	I	SCRT-01-030-GR-D
Termometro Thermometer	J	YT63-135
Mattoni 30x20 cm Red bricks 30x20 cm	K	RRA3020
Gasbeton	L	FCGSB6025I5
Piedini Feet (n.4)	M	SETPIE-M10X20
Logo Alfa (v1.0)	N	D14PLAC-ALFA
Davanzale Sill	R	SSML-01-054-D





Dolcevita



CARATTERISTICHE TECNICHE - TECHNICAL DETAILS

Peso Weight	176 kg 387 lbs	Materiali utilizzati Used material	lamiera ferro, acciaio inox, fibra ceramica iron sheet, stainless steel, ceramic fiber
Area piano forno Oven floor area	0.48 m ² 5.16 ft ²	Tipo di refrattario Type of refractory	Tavella silico-alluminoso Alumina silicate bricks
Dim. piano forno Oven floor dim.	80 x 60 cm 31.5 x 23.6 in	Combustibile consigliato Recommended fuel	Gas GPL (G30 / G31) LPG gas (G30 / G31)
Minuti per scaldare Heating time (min)	15	Categoria gas Gas category	I3+ GPL
N° pizze alla volta Pizza capacity	4	Potenza nominale Heat capacity	24 kW 81.891 Btu/h
Infornata di pane Bread capacity	4 kg 8.8 lbs	Funzionamento a G30 / G31 G30 / G31 operation	28.30 / 37 mbar 11 in WC
Temperatura massima Max oven temperature	500°C 1000°F	Consumo Massimo Maximum consumption	1.35/1.32 kg/h

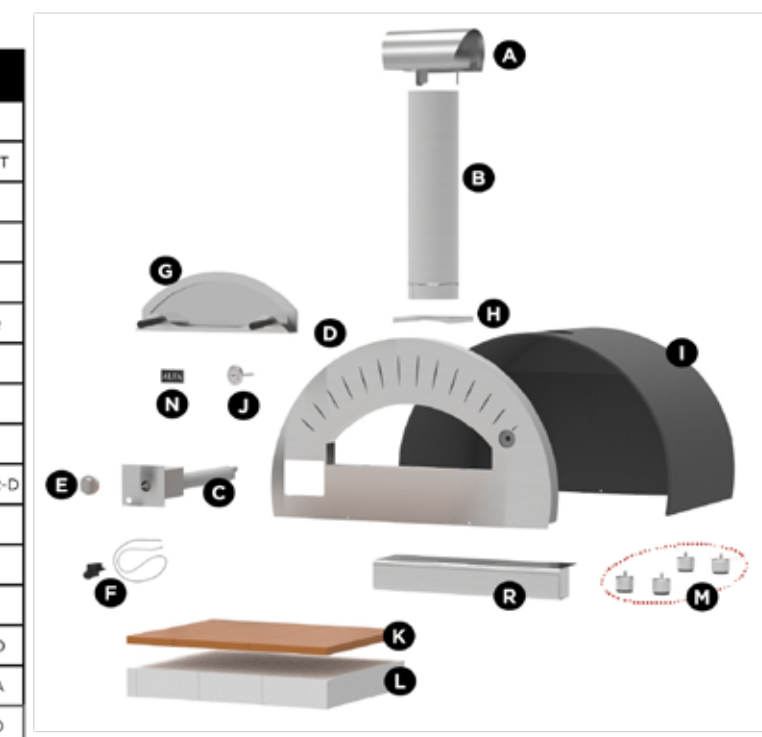
MISURE - DIMENSIONS

A	115 cm 45.3 in	O	60.5 cm 23.8 in
B	79.3 cm 30.9 in	P	18.9 cm 7.4 in
C	159.2 cm 62.7 in	Q	57.5 cm 22.6 in
D	75.2 cm 29.6 in	R	99.4 cm 39.1 in
Ø E	18 cm 7.1 in	S	7.8 cm 3.1 in
F	84 cm 33.1 in	T	65 cm 25.6 in
G	63 cm 24.5 in	U	6.5 cm 2.6 in
H	21.8 cm 8.5 in	V	7.8 cm 3.1 in
L	48.5 cm 19.1 in	W	10.2 cm 3.9 in
M	9.9 cm 3.9 in	Z	89.6 cm 35.3 in
N	51.5 cm 20.3 in		

DIMENSIONE IMBALLO PACKAGING			
Larghezza Width	Profondità Depth	Altezza Height	Peso Weight
121 cm 47.2 in	95 cm 37 in	90 cm 35.1 in	204.5 Kg 450 lbs

PARTI DI RICAMBIO - SPARE PARTS

Descrizione Description		Codice Code
Comignolo Chimney cap	A	S6PZ-01-025
Canna fumaria Chimney	B	TI_180_750_SAT
KIT GAS 24kW	C	SALI-01-016
Archetto Arch	D	SSML-01-055
Manopola gas Gas knob	E	D14MANO-70
Generatore elettrico Electric generator	F	GENELP003IQ
Cavo elettrico Electrical cable	F	CAVO-AT
Sportello Door	G	SQUA-01-149
Flangia Flange	H	SQUA-01-014
Carter esterno External shell	I	SCRT-01-030-GR-D
Termometro Thermometer	J	YT63-135
Mattoni 30x20 cm Red bricks 30x20 cm	K	RRA3020
Gasbeton	L	FCGSB6025I5
Piedini Feet (n.4)	M	SETPIE-M10X20
Logo Alfa (v1.0)	N	D14PLAC-ALFA
Davanzale Sill	R	SSML-01-054-D





Stone Oven

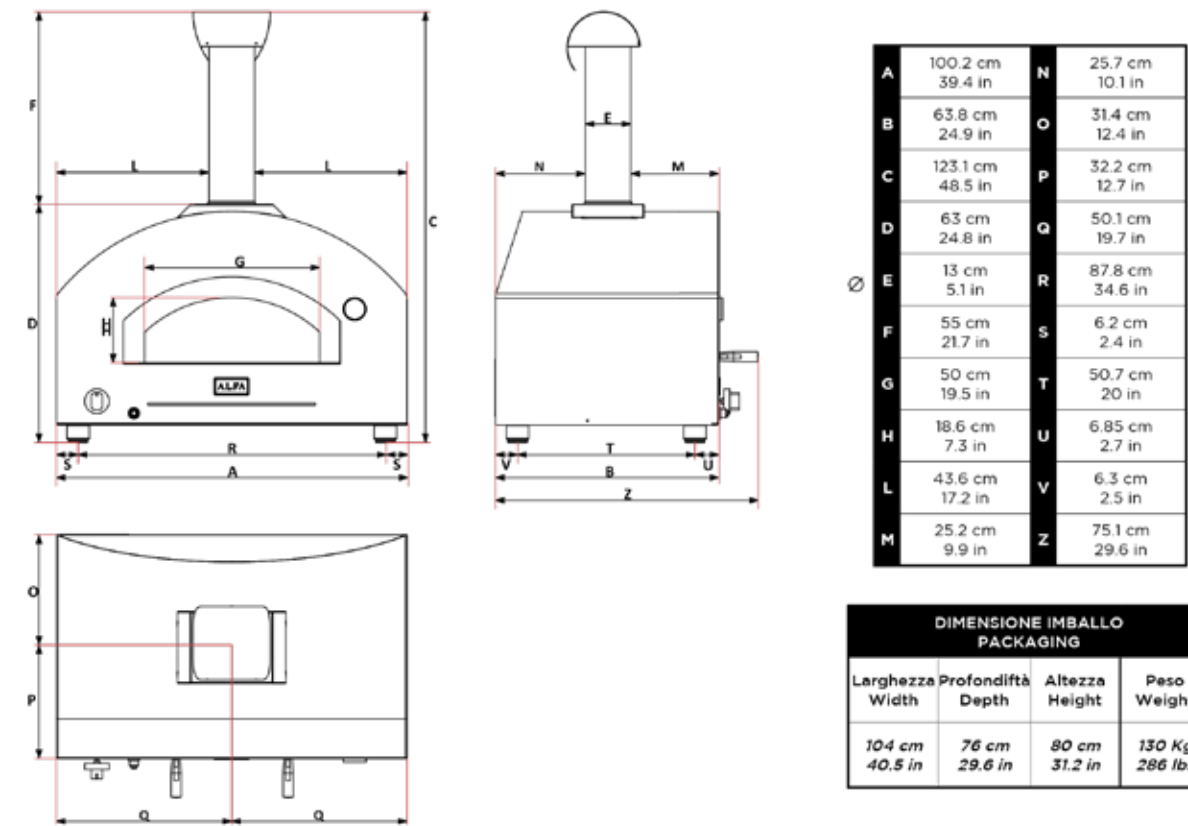


Copper

CARATTERISTICHE TECNICHE - TECHNICAL DETAILS

Peso Weight	110 kg 242 lbs	Materiali utilizzati Used material	lamiera ferro. acciaio inox. fibra ceramica iron sheet. stainless steel. ceramic fiber
Area piano forno Oven floor area	0.28 m ² 3 ft ²	Tipo di refrattario Type of refractory	Tavella silico-alluminoso Alumina silicate bricks
Dim. piano forno Oven floor dim.	70 x 40 cm 27.5 x 15.7 in	Combustibile consigliato Recommended fuel	Gas GPL (G30 / G31) LPG gas (G30 / G31)
Minuti per scaldare Heating time (min)	15	Categoria gas Gas category	I3+ GPL
N° pizze alla volta Pizza capacity	2	Potenza nominale Heat capacity	15 kW 70.000 Btu/h
Infornata di pane Bread capacity	2 kg 4.4 lbs	Funzionamento a G30 / G31 G30 / G31 operation	28.30 / 37 mbar
Temperatura massima Max oven temperature	500°C 1000°F	Consumo Massimo Maximum consumption	1.07 / 1.09 kg/h

MISURE - DIMENSIONS



PARTI DI RICAMBIO - SPARE PARTS

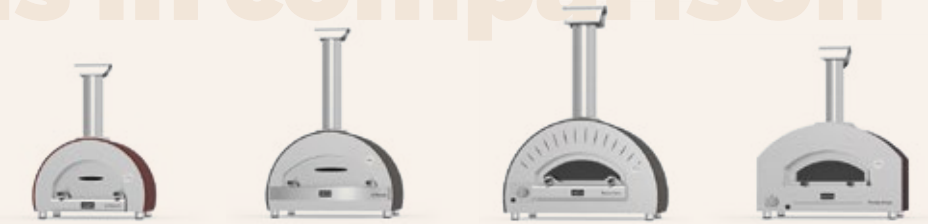
Descrizione Description	Codice Code
Comignolo Chimney cap	A SSML-1-2202
Canna fumaria Chimney	B TI130_500_SAT
KIT GAS 15kW	C SALI-1-2201
Carter laterale gas Side gas cover	D SCRT-3-2204-RA
Manopola gas Gas knob	E DI4MANO-70P
Generatore elettrico Electric generator	F GENELP003IQ
Cavo elettrico Electrical cable	F CAVO-AT
Sportello Door	G SSML-1-2203
Flangia Flange	H SML-2-2205
Carter esterno External shell	I SCRT-1-2201-RA
Termometro Thermometer	J YT63-135
Mattoni 30x20 cm Red bricks 30x20 cm	K RRA3020
Mattoni 40x20 cm Red bricks 40x20 cm	K RRA4020
Gasbeton	L FCGSB602515
Piedini Feet (n.4)	M SETPIE-MIOX20
Logo Alfa (v1.0)	N D14PLAC-ALFA





	MODERNO Line			
	Nano	Ciao	Brio	Allegro
External dimensions:	73 x 55 x 105 cm	91 x 69,5 x 118 cm	100 x 73 x 112 cm	118 x 102 x 145h cm
Top + Base	73 x 55 x 192h cm	118 x 85 x 181 cm	100 x 73 x 199 cm	18 x 102 x 225h cm
Cooking surface:	60 x 40 cm	70 x 40 cm	70 x 50 cm	100 x 70 cm
Capacity	1 pizza 1-2 kg bread	2 pizzas 2 kg bread	2/3 pizzas 2/3 kg bread	4/5 pizzas 5 kg bread
N° people	from 1 to 10	from 8 to 18	from 1 to 20	from 15 to 30
Heating time	10 min	15 min	30 min	20 min
Oven weight	54 kg	80 kg	98 kg	140 kg
Weight with base	79 kg	90 kg	130 kg	220 kg
Fuel consumption	LPG: 0,58 Kg/h METHANE: 1,43 mc/h	2,5 Kg/h	LPG: 1,07 Kg/h METHANE: 143 mc/h	5 Kg/h
Fuel	Wood or gas	Wood	HYBRID: Gas or wood	Wood
Colour	Copper	Silver Gray	Antique Red - Silver Black	Antique Red - Yellow
Arrangement				

Alfa ovens in comparison



	CLASSICO Line			FUTURO Line
	5 Minuti	4 Pizze	Dolcevita	Stone Oven
External dimensions:	82 x 68 x 120 cm	100 x 97 x 121 cm	111 x 87 x 156 cm	118 x 102 x 145h cm
Top + Base	82 x 68 x 208 cm	155 x 87,5 x 202 cm	---	---
Cooking surface:	60 x 50 cm	80 x 60 cm	80 x 60 cm	70 x 40 cm
Capacity	2 pizzas 2 kg bread	4 pizzas 4 kg bread	4 pizzas 4 kg bread	2 pizzas 2 kg bread
N° people	from 8 to 18	from 10 to 20	from 10 to 20	from 15 to 30
Heating time	15 min	20 min	15 min	30 min
Oven weight	73 kg	120 kg	142 kg	125 kg
Weight with base	102 kg	140 kg	---	---
Fuel consumption	2,5 Kg/h	5 Kg/h	LPG: 1,32 Kg/h METHANE: 176 mc/h	LPG: 1,07 Kg/h METHANE: 143 mc/h
Fuel	Wood	Wood	HYBRID: Gas or wood	HYBRID: Gas or wood
Colour	Copper	Copper - Diamond Gray	Diamond Gray	Copper
Arrangement				



The images in the catalogue are for illustrative purposes only
Actual product models and features may vary

CATALOGUE PRINTED IN JANUARY 2022

ALFA

www.alfaforini.com

M: info@alfaforini.com | T: 0775-7821 | T: +39 0775-782218