

MODEL:
HUS-BC46W-RET

QUICK INFO

Small Retro Vintage White Mini Bar Fridge 46 Litre

A good quality unit with plenty of shelf height options, tropical rated and runs nice and quiet, unit has cool retro handle and opener.

We have many 'branded' designs available, so go to Gift Idea's section on website to see other cool designs. *We brand in-house so please allow a few weeks for delivery.



PARTS AND ENERGY INFO

- Cyclopentane foaming
- R600 100% ozone safe gas
- High Quality Chinese Compressor

SPECIFICATIONS

| | |
|-------------------------|-----------------|
| Capacity (litres) | 46 |
| Holds (cans) | 38 |
| Noise Level | 39 |
| Consumption | 0.65Kwh/24Hrs |
| Unit dimensions (WxDxH) | 430 x 470 x 500 |
| Lockable | No |
| Gross weight | 16 kg |

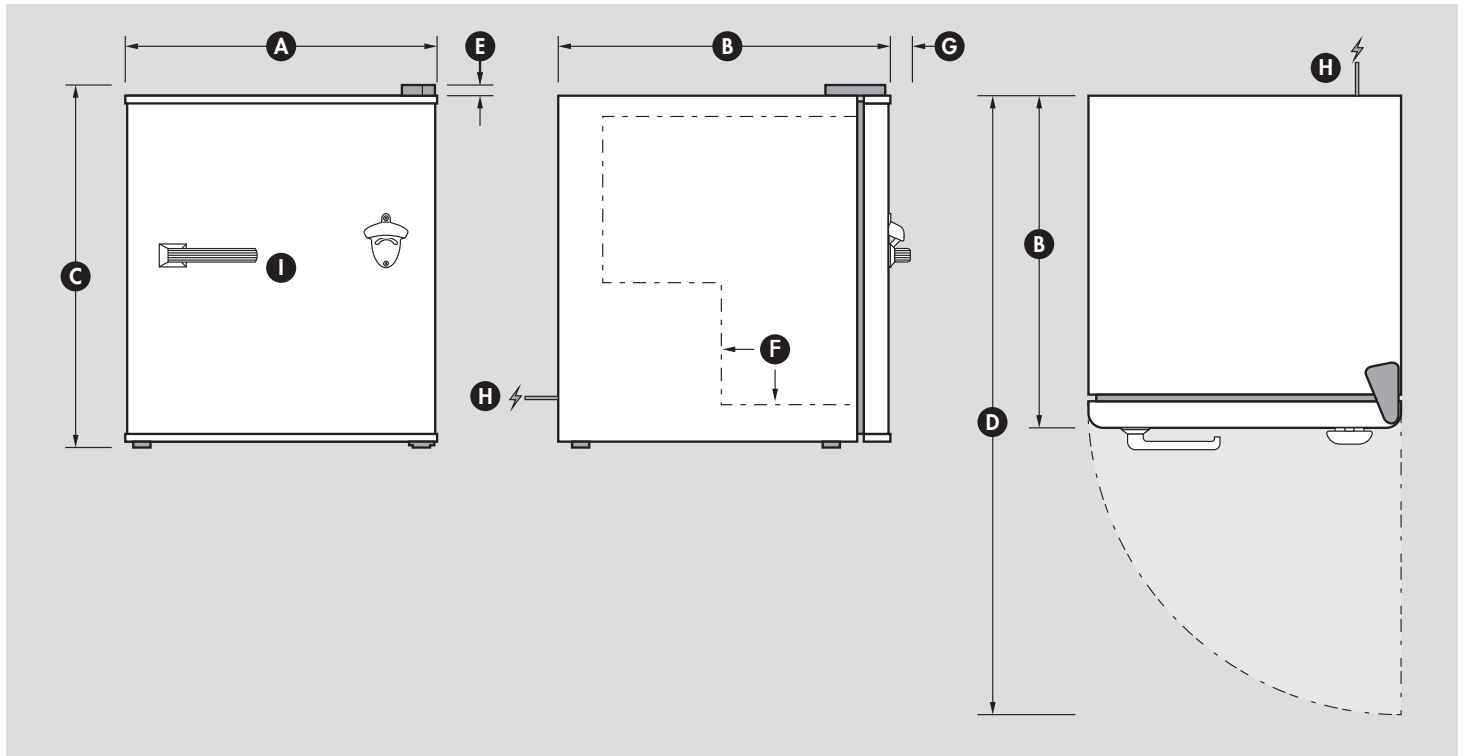
SCHMICK 
Australia

**Specifications and price of this product may change at any time

**For more information about this product please call us or visit our website.

PRODUCT INFORMATION

HUS-BC46W-RET



INFORMATION

DIMENSIONS

| | |
|--|-----------------------|
| Ⓐ Overall width | 430mm |
| Ⓑ Overall depth | 470mm |
| Ⓒ Overall height - includes feet | 510mm |
| Ⓓ Overall depth with door open | 875mm |
| Ⓔ Height of hinge cap (included in height above) | 10mm |
| Ⓕ Internal step inside unit | 210mm In & 190mm High |
| Ⓖ Depth of handle (adds to depth above) | 35mm |
| Ⓗ Power cord location & length | 1800mm |
| Ⓘ Internal dimensions (WxDxH) | 340 x 380 x 420mmH |

Note: Door opens maximum 0mm outside fridge diameter

INSTALLATION & BUILDING INTO CAVITY'S

Minimum cavity size needed (WxDxH) 470 x 510 x 530mmH
 Venting type of fridge REAR - A rear vent would lessen run times.

****Note: If wanting a 'cabinet door' in front of fridge door please contact us****

OTHER HELPFUL INFORMATION

| | |
|---|-------------------------------------|
| Height floor to bottom of door | 20mm |
| Door size (WxH) | 430 x 480mmH |
| Feet height fully tightened | 15mm |
| Height adjustment available on current feet | None |
| Change feet size for extra height option | N/A |
| Shelf Qty / Size | 1 x (345x280mmD) & 1 x (345x130mmD) |
| | *Has inner shelf cavities on door |
| Wine Shelf available (Y/N) | Yes |

PERFORMANCE

| | |
|---------------------------------------|------------------------|
| Cooling | Can cool to 0oC (Zero) |
| Application suitability | Indoor |
| Maximum operating ambient temperature | 32oC |
| Meps energy approved & food grade | Yes |