

**MODEL:  
HUS-SC70-SS**

**QUICK INFO**

Tropical Rated Glass Door Bar Fridge, right hinged, made especially for outdoor tropical alfresco areas in Australia.

Triple glazed stainless door with bar handle and lock, LOW E glass, LED strip lighting and interior fan for even air temperature distribution.

We designed shelving structure to allow 4 x height of cans, can fit 85 x 375 ml inside. Perfect for that little outdoor barbie area or that shed environment for a few spare cool ones in times of need. \*Left hinged model HUS-SC70L-SS.

**PARTS AND ENERGY INFO**

- 12Volt Fans
- Cyclopentane foaming
- LED lighting
- LOW E glass
- R600 100% ozone safe gas
- Triple Glazing
- High Quality Chinese Compressor
- High Quality Chinese Bearing Fan
- Chinese Reliable Transformer



**SPECIFICATIONS**

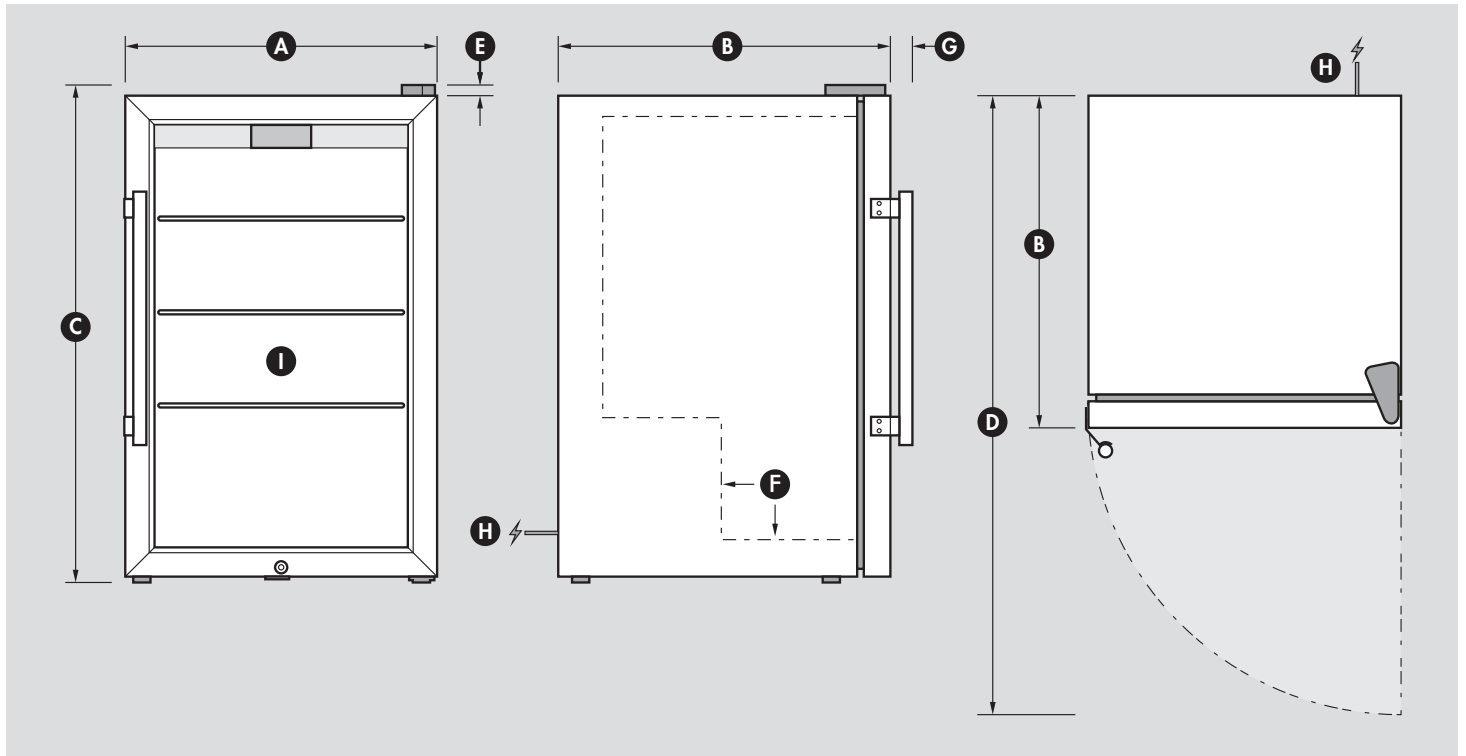
Capacity (litres)	70
Holds (cans)	85
Noise Level	43
Consumption	1.60Kwh/24Hrs
Unit dimensions (WxDxH)	430 x 500 x 700
Lockable	Yes
Gross weight	34 kg



\*\*Specifications and price of this product may change at any time  
\*\*For more information about this product please call us or visit our website.

# PRODUCT INFORMATION

## HUS-SC70-SS



### INFORMATION

#### DIMENSIONS

Ⓐ	Overall width	430mm
Ⓑ	Overall depth	495mm
Ⓒ	Overall height - includes feet	700mm
Ⓓ	Overall depth with door open	895mm
Ⓔ	Height of hinge cap (included in height above)	20mm
Ⓕ	Internal step inside unit	210mm In x 200mm High
Ⓖ	Depth of handle (adds to depth above)	45mm
Ⓗ	Power cord location & length	1800mm
Ⓘ	Internal dimensions (WxDxH)	340 x 360 x 590mmH

Note: Door opens maximum 3mm outside diameter

#### INSTALLATION & BUILDING INTO CAVITY'S

Minimum cavity size needed (WxDxH)	470 x 600 x 720mmH
Venting type of fridge	Rear - A vent at rear will help lessen run times

**\*\*Note: If wanting a 'cabinet door' in front of fridge door please contact us\*\***

#### OTHER HELPFUL INFORMATION

Height floor to bottom of door	20mm
Door size (WxH)	430 x 660mmH
Feet height fully tightened	15mm
Height adjustment available on current feet	N/A
Change feet size for extra height option	N/A
Shelf Qty / Size	2 x (350 x 310mmD) & 1 x (350 x 205mmD)
Wine Shelf available (Y/N)	Yes

#### PERFORMANCE

Cooling	Can cool to 2oC easily in up to 38oC Ambient
Application suitability	Indoor or Outdoor Alfresco
Maximum operating ambient temperature	38oC
Outdoor official IP rating	N/A