

NEW PRODUCTS 2017

HEATSTRIP® 

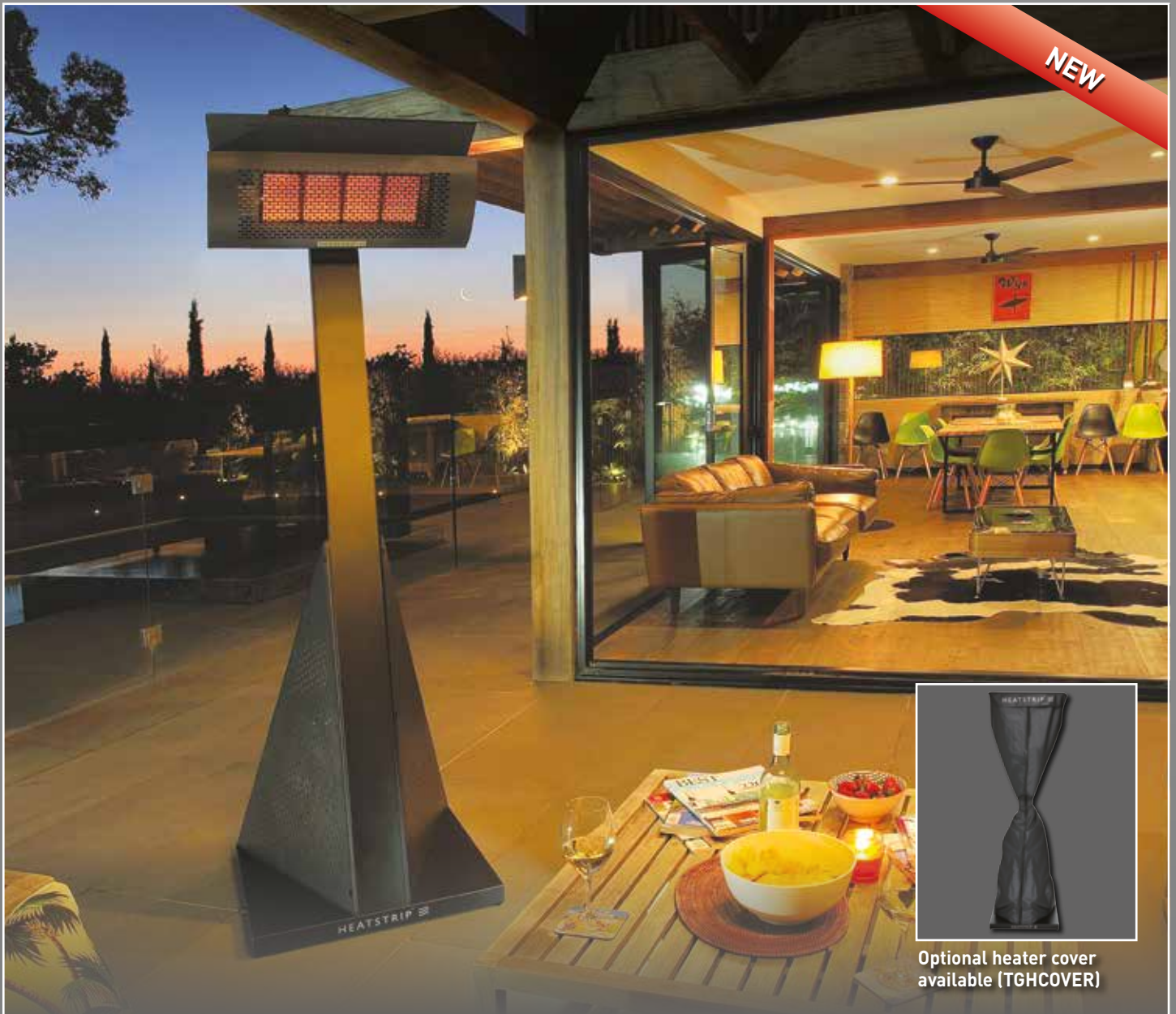
HEATSTRIP® 

OUTDOOR HEATING RANGE



# HEATSTRIP® Portable LPG Outdoor Heater (TGH34PL)

**NEW**



**Optional heater cover available (TGHCOVER)**

The new HEATSTRIP portable LPG heater incorporates world leading design, quality, heat performance and efficiency to provide a stylish, robust and elegant solution for your outdoor area, alfresco, balcony, patio etc.

## FEATURES

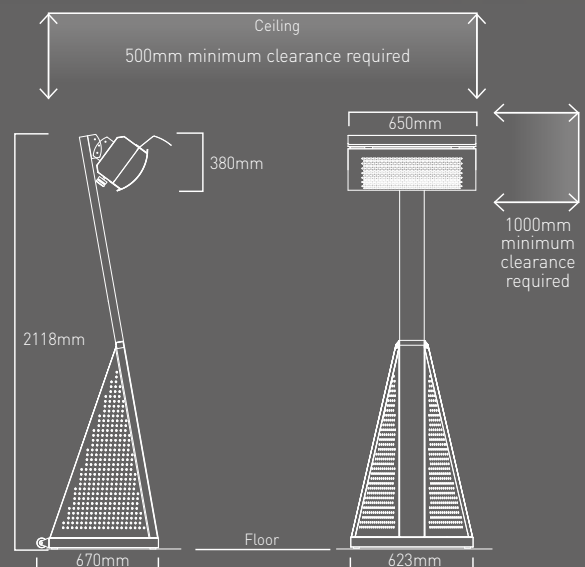
- 34 MJ, 4 tile commercial quality ceramic burner  
To be used with 9kg LPG bottle (not included)
- Manual integrated Piezo ignition, with tilt safety switch and flame failure device. Fully concealed gas pipes and bottle
- In-built wheels for easy portability and storage
- Components are sub-assembled for easy DIY installation
- High/Low heating output. Directional heat performance allows you to heat exactly where you want it
- Protective grille and reflector included as standard, to guarantee safe operation. Reflector design ensures that only a minimum of 500mm overhead clearance is required
- 2 year residential and 1 year commercial warranty

### Materials of Construction

E-coated mild steel with powder coat finish.  
Grille & reflector with extra high temperature protection.

MODEL	TILES	MJ	IGNITION	DIMENSIONS (WxDxH)mm	RUNNING COST*	WEIGHT (kg)	HEATING AREA (sqm <sup>2</sup> )
TGH34PL	4	34	Manual, Piezo	650x670x2118	\$1.60 on high \$1.12 on low	31.5	16

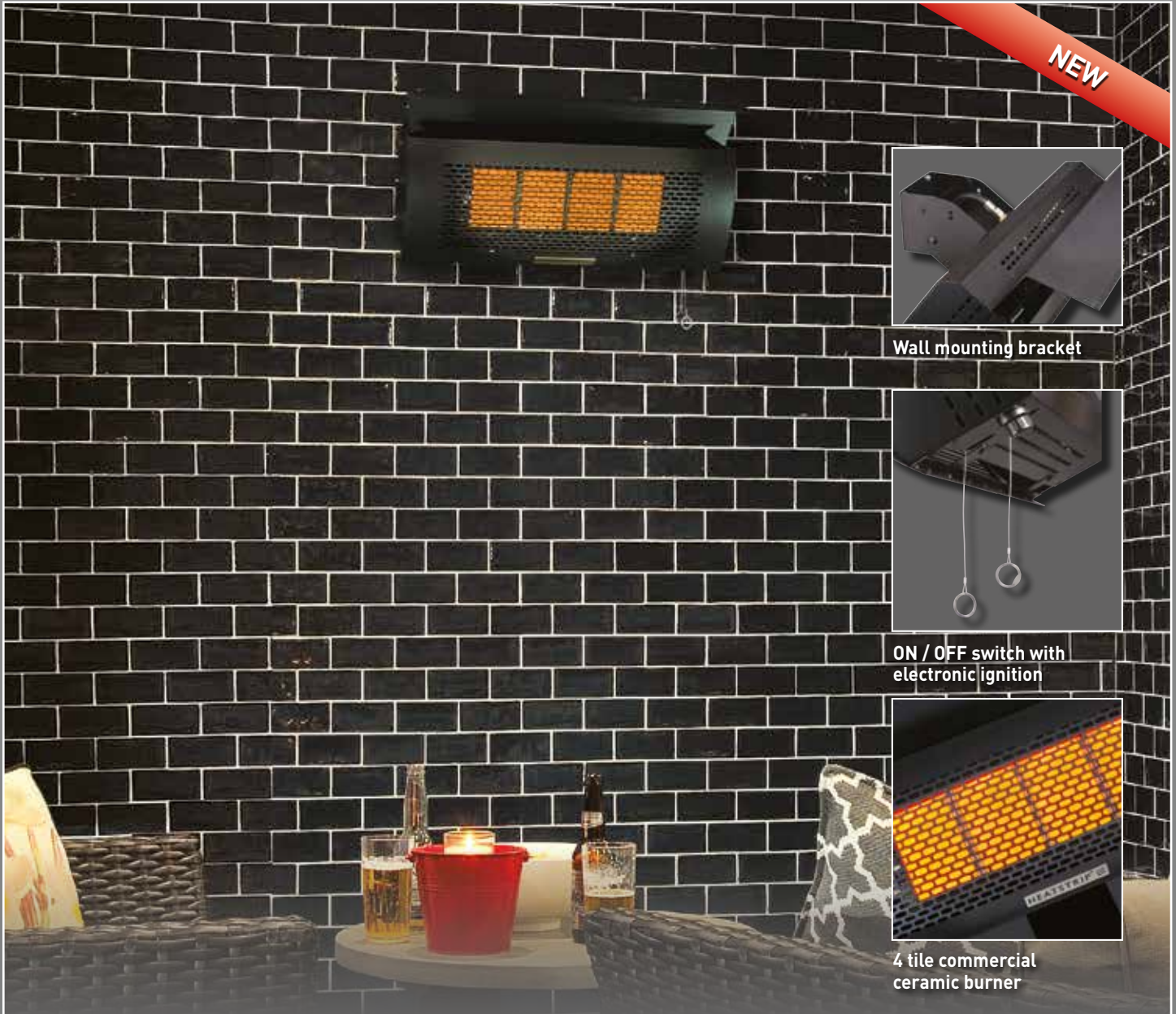
\* Based on \$20 per gas bottle refill and run time of 12.5 hrs on high / 18 hrs on low



Note: Suitable for outdoor use only.

# HEATSTRIP® Wall Mounted Natural Gas Heater (TGH34WN)

**NEW**



**Wall mounting bracket**

**ON / OFF switch with electronic ignition**

**4 tile commercial ceramic burner**

The new HEATSTRIP Wall Mounted Natural Gas (NG) heater is a stylish addition to any outdoor area, where mains Natural Gas is preferred. World class design aesthetics, heat output and performance, for both residential and commercial applications.

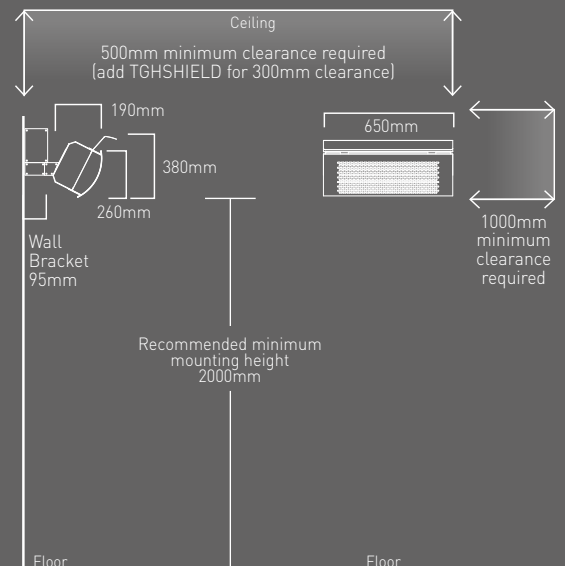
## FEATURES

- 34MJ, 4 tile commercial quality ceramic burner, for connection to mains Natural Gas (NG)
- Electronic battery ignition with micro-switch On/Off operation and stainless steel pull cords. Electrical connection not required
- Protective grille and reflector included as standard, to guarantee safe operation. Reflector design ensures that only a minimum of 500mm overhead clearance is required (add TGHSHIELD for 300mm clearance)
- Wall mounting bracket allows for multiple mounting angles, and is extremely robust to provide strength and support
- Conversion to use with LPG is optional (Model TGH34WLPG)
- 2 year residential and 1 year commercial warranty

### Materials of Construction

E-coated mild steel with powder coat finish.  
Grille & reflector with extra high temperature protection.

MODEL	TILES	MJ	IGNITION	DIMENSIONS (WxDxH)mm	RUNNING COST	WEIGHT (kg)	HEATING AREA (sqm <sup>2</sup> )
TGH34WN	4	34	Electronic Battery	650x190x380	\$0.68/hr (based on a 2¢/MJ)	11.5	16





# HEATSTRIP® Portable Electric Heater (THH1800AP)

**NEW**



The new HEATSTRIP electric heater is the classy and refined solution, for when a portable, easy DIY electric heating option is required. Incorporating a sleek and robust stand with a 1800W HEATSTRIP Classic heater, it is ideal for spot heating of tables, lounges, entertaining areas and work stations, both indoors and outdoors.

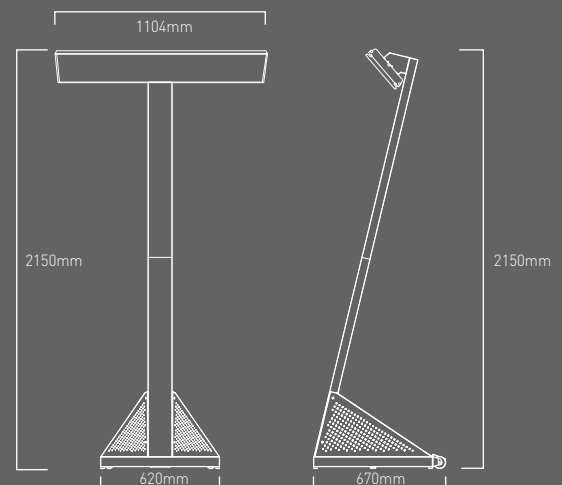
## FEATURES

- Stylish, high quality portable, free-standing outdoor heater stand
- Ideal for alfresco areas, balconies, apartments & hospitality (internal & external use)
- Concealed power cable ensures a sleek appearance. Black, no glow heater
- Components are sub-assembled for easy DIY installation
- In-built wheels for easy portability, perfect for residential and commercial applications
- Corrosion protected for even the toughest environment.
- 2 year residential and 1 year commercial warranty

### Materials of Construction

Heater: High temperature ceramic coated extruded alloy. IP55 rated  
Stand: E-coated mild steel with powder coat finish

MODEL	RUNNING COSTS	POWER [watts]	CURRENT [amps]	DIMENSIONS [WxDxH]mm	WEIGHT [kgs]	HEATING AREA [m <sup>2</sup> ]	LEAD LENGTH [mm]
THH1800AP	45c/hr	1800	7.5	1104x670x2150	22	3-4	3000



Note: Connection to power source is at bottom of stand, not shown in image.

# HEATSTRIP®

OUTDOOR HEATERS



## HEATSTRIP® by Thermofilm Australia Pty Ltd

HEATSTRIP is a range of world class electric and gas heaters designed for both indoor and outdoor applications. Awarded the coveted Australian Business Award for Product Value and Victorian Manufacturer of the Year. HEATSTRIP electric range is proudly designed, engineered and assembled in Australia, and exported to the world.



Thermofilm Australia Pty Ltd  
17 Johnston Court, Dandenong South, Victoria 3175, Australia.  
p: (03) 9562 3455 | f: (03) 9548 3979 | e: sales@thermofilm.com.au  
[www.facebook.com/ThermofilmAustralia](http://www.facebook.com/ThermofilmAustralia)

[heatstrip.com.au](http://heatstrip.com.au)